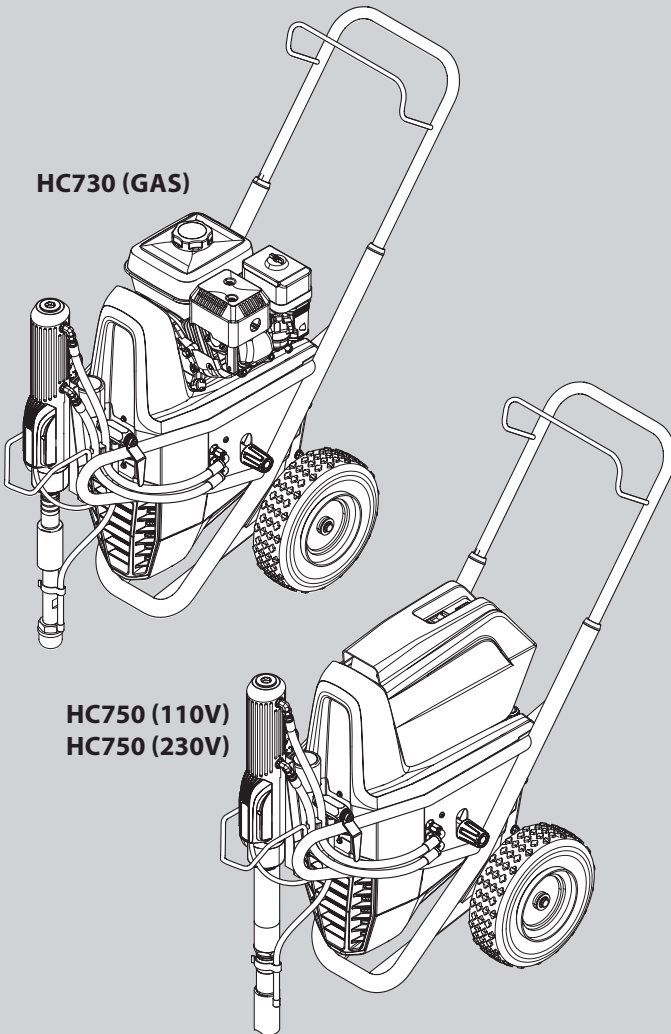
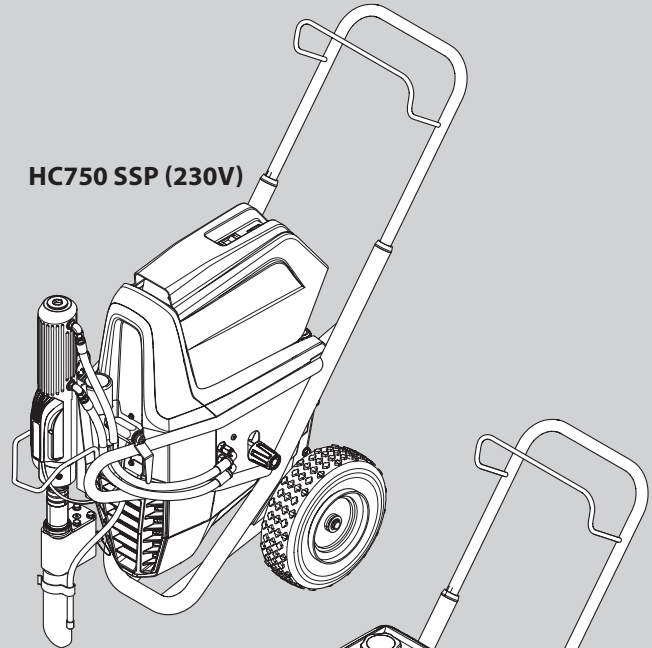


**WAGNER**

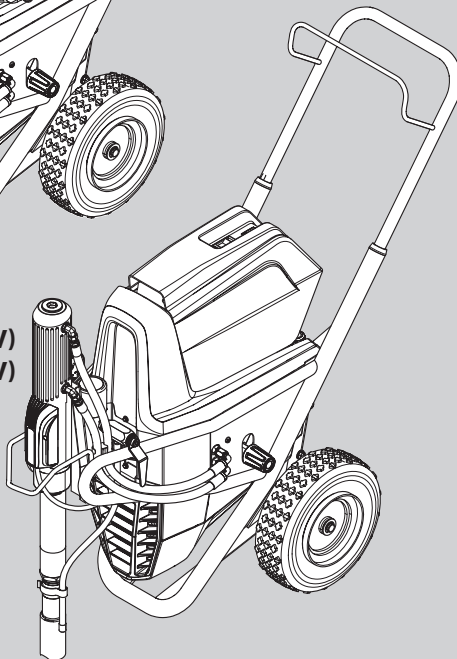
HC730 (GAS)



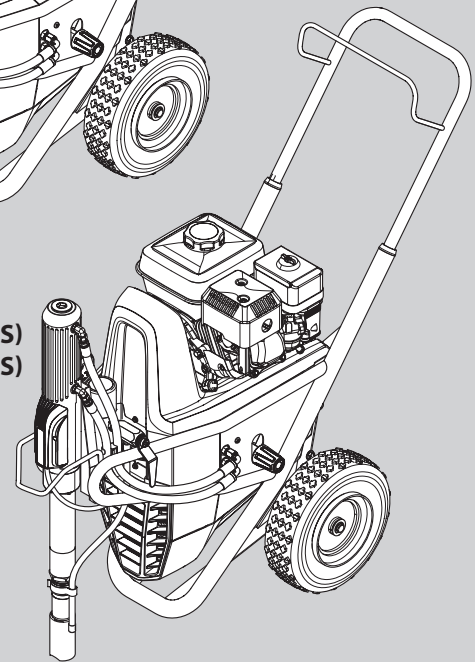
HC750 SSP (230V)



HC750 (110V)  
HC750 (230V)



HC750 (GAS)  
HC770 (GAS)



# HEAVYCOAT (HC) 730 • 750 • 770

OWNER'S MANUAL • BETRIEBSANLEITUNG  
MODE D'EMPLOI

EN DE FR

# Warning!

**Attention: Danger of injury by injection!**  
**Airless units develop extremely high spraying pressures.**

**1**

**Never put your fingers, hands or any other parts of the body into the spray jet!**

**Never point the spray gun at yourself, other persons or animals.  
Never use the spray gun without safety guard.**

**Do not treat a spraying injury as a harmless cut. In case of injury to the skin through coating materials or solvents, consult a doctor immediately for quick and expert treatment. Inform the doctor about the coating material or solvent used.**

**2**

**The operating instructions state that the following points must always be observed before starting up:**

1. Faulty units must not be used.
2. Secure Wagner spray gun using the trigger lock on the trigger.
3. Ensure that the unit is properly earthed.
4. Check allowable operating pressure of high-pressure hose and spray gun.
5. Check all connections for leaks.

**3**

**The instructions regarding regular cleaning and maintenance of the unit must be strictly observed.**

**Before any work is done on the unit or for every break in work the following rules must be observed:**

1. Release the pressure from spray gun and hose.
2. Secure the Wagner spray gun using the trigger lock on the trigger.
3. Switch off unit.

# Be safety conscious!

<b>1</b>	<b>SAFETY REGULATIONS FOR AIRLESS SPRAYING</b>	<b>4</b>	<b>8</b>	<b>TROUBLESHOOTING</b>	<b>26</b>	
1.1	Explanation of symbols used	4		8.1	Airless gun	26
1.2	Safety hazards	4		8.2	Fluid section	26
1.3	Setup on an uneven surface	6		8.3	Hydraulic motors	27
1.4	Electrical safety	6		8.4	Spray patterns	28
1.5	Gasoline engine safety	6		<b>9</b>	<b>APPENDIX</b>	<b>29</b>
1.6	Fueling (gas engine)	7		9.1	Selection of tip	29
<b>2</b>	<b>MAIN AREAS OF APPLICATION</b>	<b>8</b>		9.2	Servicing and cleaning of Airless hard-metal tips	29
2.1	Application	8		<b>IMPORTANT NOTES ON PRODUCT LIABILITY</b>	<b>30</b>	
2.2	Coating materials	8		<b>3+2 YEARS GUARANTEE FOR PROFESSIONAL FINISHING</b>	<b>30</b>	
<b>3</b>	<b>DESCRIPTION OF UNIT</b>	<b>9</b>		<b>EU DECLARATION OF CONFORMITY</b>	<b>31</b>	
3.1	System diagram - gasoline HeavyCoat units	9		<b>ACCESSORIES FOR HC UNITS I</b>	<b>91</b>	
3.2	System diagram - electric HeavyCoat units	10		<b>ACCESSORIES FOR HC UNITS II</b>	<b>92</b>	
3.3	Technical data for HeavyCoat units	11		<b>SPARE PARTS</b>	<b>94</b>	
3.4	Transportation	12		Spare parts list for the main assembly	94	
3.5	Crane transport	12		Spare parts list for the cart assembly	96	
<b>4</b>	<b>OPERATION</b>	<b>12</b>		Spare parts list for the shovel valve HC 750 SSP	97	
4.1	Setup	12		Spare parts list for the fluid section HC 730 / 750	98	
4.2	Starting the engine (gas models)	14		Spare parts list for the fluid section HC 750 / 770	100	
4.3	Preparing a new sprayer	14		Spare parts list for the high-pressure filter	102	
4.4	Preparing to paint	15		<b>SALES AND SERVICE COMPANIES</b>	<b>104</b>	
4.5	Painting	16				
4.6	Pressure relief procedure	16				
<b>5</b>	<b>SPRAYING</b>	<b>17</b>				
5.1	Cleaning a clogged tip	17				
5.2	Interruption of work	18				
5.3	Handling the high pressure hose	18				
<b>6</b>	<b>CLEANUP</b>	<b>19</b>				
6.1	Special cleanup instructions for use with flammable solvents	19				
6.2	Cleaning the sprayer	19				
6.3	Cleaning the outside of the sprayer	19				
6.4	Cleaning the filter screen	20				
6.5	Cleaning the airless spray gun	20				
<b>7</b>	<b>MAINTENANCE</b>	<b>21</b>				
7.1	Daily maintenance	21				
7.2	Lubricating the upper packings	21				
7.3	Maintaining the filter assembly	21				
7.4	Maintaining the hydraulic system	22				
7.5	Maintaining the fluid section	23				
7.6	High pressure hose	23				
7.7	Basic engine maintenance	23				
7.8	Servicing the fluid section	24				

# 1 SAFETY REGULATIONS FOR AIRLESS SPRAYING

## 1.1 EXPLANATION OF SYMBOLS USED

This manual contains information that must be read and understood before using the equipment. When you come to an area that has one of the following symbols, pay particular attention and make certain to heed the safeguard.



→ This symbol indicates a potential hazard that may cause serious injury or loss of life. Important safety information will follow.



→ This symbol indicates a potential hazard to you or to the equipment. Important information that tells how to prevent damage to the equipment or how to avoid causes of minor injuries will follow.



→ Danger of skin injection



→ Danger of fire from solvent and paint fumes



→ Danger of explosion from solvent, paint fumes and incompatible materials



→ Danger of injury from inhalation of harmful vapors



→ Danger of injury from electric shock



→ Notes give important information which should be given special attention.

## 1.2 SAFETY HAZARDS



### HAZARD: INJECTION INJURY

A high pressure stream produced by this equipment can pierce the skin and underlying tissues, leading to serious injury and possible amputation.

Do not treat a spraying injury as a harmless cut. In case of injury to the skin through coating materials or solvents, consult a doctor immediately for quick and expert treatment. Inform the doctor about the coating material or solvent used.

### PREVENTION:

- NEVER aim the gun at any part of the body.
- NEVER allow any part of the body to touch the fluid stream. DO NOT allow body to touch a leak in the fluid hose.
- NEVER put your hand in front of the gun. Gloves will not provide protection against an injection injury.
- ALWAYS lock the gun trigger, shut the fluid pump off and release all pressure before servicing, cleaning the tip guard, changing tips, or leaving unattended. Pressure will not be released by turning off the engine. The PRIME/SPRAY valve or pressure bleed valve must be turned to their appropriate positions to relieve system pressure.
- ALWAYS keep tip guard in place while spraying. The tip guard provides some protection but is mainly a warning device.
- ALWAYS remove the spray tip before flushing or cleaning the system.
- NEVER use a spray gun without a working trigger lock and trigger guard in place.
- All accessories must be rated at or above the maximum operating pressure range of the sprayer. This includes spray tips, guns, extensions, and hose.



### HAZARD: HIGH PRESSURE HOSE

The paint hose can develop leaks from wear, kinking and abuse. A leak can inject material into the skin. Inspect the hose before each use.

#### PREVENTION:

- Avoid sharp bending or kinking of the high-pressure hose. The smallest bending radius amounts to about 20 cm.
- Do not drive over the high-pressure hose. Protect against sharp objects and edges.
- Replace any damaged high-pressure hose immediately.
- Never repair damaged high-pressure hoses yourself!
- Electrostatic charging of spray guns and the high-pressure hose is discharged through the high-pressure hose. For this reason the electric resistance between the connections of the high-pressure hose must be equal to or lower than 1MΩ.
- For reasons of function, safety and durability use only original Wagner high-pressure hoses.
- Before each use, check all hoses for cuts, leaks, abrasion or bulging of cover. Check for damage or movement of couplings. Immediately replace the hose if any of these conditions exist. Never repair a paint hose. Replace it with another earthed high-pressure hose.
- Make sure power cord, air hose and spray hoses are routed in such a manner to minimize slip, trip and fall hazard.



### HAZARD: EXPLOSION OR FIRE

Flammable vapors, such as solvent and paint vapors, in work area can ignite or explode.



#### PREVENTION:

- Use equipment only in well ventilated area. Keep a good supply of fresh air moving through the area to keep the air within the spray area free from accumulation of flammable vapors. Keep pump assembly in well ventilated area. Do not spray pump assembly.
- Electric models only - Do not use materials with a flashpoint below 21° C. Flashpoint is the temperature at which a fluid can produce enough vapors to ignite.
- Gas models only - Do not fill fuel tank while engine is running or hot; shut off engine and allow to cool. Fuel is flammable and can ignite or explode if spilled on a hot surface.
- Eliminate all ignition sources, such as pilot lights, cigarettes, portable electric lamps and plastic drop cloths (potential static arc).
- Keep work area free of debris, including solvent, rags and gasoline.
- Do not plug or unplug power cords, or turn power or light switches on or off when flammable vapors are present.
- Ground equipment and conductive objects in work area. Make sure the grounding cable (not equipped) is connected from the grounding lug to a true earth ground.
- Use only grounded hoses.
- Hold spray gun firmly to the side of a grounded pail when triggering into pail.
- If there is static sparking or if you feel a shock, stop operation immediately.
- Know the contents of the paint and solvents being sprayed. Read all material Safety Data Sheets (SDS) and container labels provided with the paints and solvents. Follow the paint and solvent manufacturer's safety instructions.
- Do not use a paint or solvent containing halogenated hydrocarbons. Such as chlorine, bleach, mildewcide, methylene chloride and trichloroethane. They are not compatible with aluminum. Contact the coating supplier about compatibility of material with aluminum.
- Keep a fire extinguisher in work area.



### HAZARD: HAZARDOUS VAPORS

Paints, solvents, and other materials can be harmful if inhaled or come in contact with body. Vapors can cause severe nausea, fainting, or poisoning.

#### PREVENTION:

- Wear respiratory protection when spraying. Read all instructions supplied with the mask to be sure it will provide the necessary protection.
- All local regulations regarding protection against hazardous vapors must be observed.
- Wear protective eyewear.
- Protective clothing, gloves and possibly skin protection cream are necessary for the protection of the skin. Observe the regulations of the manufacturer concerning coating materials, solvents and cleaning agents in preparation, processing and cleaning units.



### HAZARD: GENERAL

This product can cause severe injury or property damage.

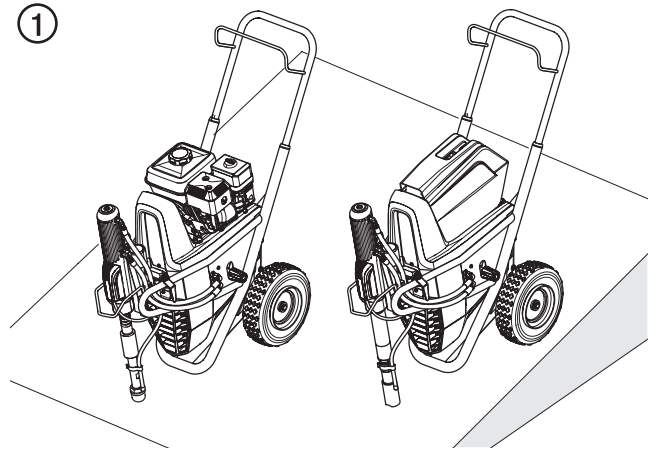
#### PREVENTION:

- Follow all appropriate local, state, and national codes governing ventilation, fire prevention, and operation.
- Pulling the trigger causes a recoil force to the hand that is holding the spray gun. The recoil force of the spray gun is particularly powerful when the tip has been removed and high pressure has been set on the airless pump. When cleaning without a spray tip, set the pressure control knob to the lowest pressure.
- Use only manufacturer authorized parts. User assumes all risks and liabilities when using parts that do not meet the minimum specifications and safety devices of the pump manufacturer.
- ALWAYS follow the material manufacturer's instructions for safe handling of paint and solvents.
- Clean up all material and solvent spills immediately to prevent slip hazard.
- Wear ear protection. This unit can produce noise levels above 85 dB(A).
- Never leave this equipment unattended. Keep away from children or anyone not familiar with the operation of airless equipment.
- Do not spray on windy days.
- The device and all related liquids (i.e. hydraulic oil) must be disposed of in an environmentally friendly way.

### 1.3 SETUP ON AN UNEVEN SURFACE

The front end must always point downwards in order to avoid sliding away.

If possible do not use the unit on an inclined surface since the unit tends to wander due to the resulting vibrations.



### 1.4 ELECTRIC SAFETY

Electric models must be grounded/earthed. In the event of an electrical short circuit, grounding/earthing reduces the risk of electric shock by providing an escape wire for the electric current. This product is equipped with a cord having an grounding/earthing wire with an appropriate grounding/earthing plug. Connection to the power cord only through a special feed point, e.g. through an error protection installation with INF < 30 mA.



**DANGER** — Work or repairs at the electrical equipment may only be carried out by a skilled electrician. No liability is assumed for incorrect installation. Switch the unit off. Before all repair work, unplug the power plug from the outlet.



Danger of short-circuits caused by water ingressing into the electrical equipment. Never spray down the unit with high-pressure or high-pressure steam cleaners.

### 1.5 GASOLINE ENGINE SAFETY

1. Gas engines are designed to give safe and dependable service if operated according to instructions. Read and understand the engine manufacturer's Owner's Manual before operating the engine. Failure to do so could result in personal injury or equipment damage.
2. To prevent fire hazards and to provide adequate ventilation, keep the engine at least 1 meter (3 feet) away from buildings and other equipment during operation. Do not place flammable objects close to the engine.

3. People who are not operating the device must stay away from the area of operation due to a possibility of burns from hot engine components or injury from any equipment the engine may be used to operate.
4. Know how to stop the engine quickly, and understand the operation of all controls. Never permit anyone to operate the engine without proper instructions.
5. Gasoline is extremely flammable and is explosive under certain conditions.
6. Refuel in a well-ventilated area with the engine stopped. Do not smoke or allow flames or sparks in the refueling area or where gasoline is stored.
7. Do not overfill the fuel tank. After refueling, make sure the tank cap is closed properly and securely.
8. Be careful not to spill fuel when refueling. Fuel vapor or spilled fuel may ignite. If any fuel is spilled, make sure the area is dry before starting the engine.
9. Never run the engine in an enclosed or confined area. Exhaust contains poisonous carbon monoxide gas; exposure may cause loss of consciousness and may lead to death.
10. The muffler becomes very hot during operation and remains hot for a while after stopping the engine. Be careful not to touch the muffler while it is hot. To avoid severe burns or fire hazards, let the engine cool before transporting it or storing it indoors.
11. Never ship/transport sprayer with gasoline in the tank.



DO NOT use this equipment to spray water or acid.



If “spark knock” or “pinging” occurs at a steady engine speed under normal load, change brands of gasoline. If spark knock or pinging persists, consult an authorized dealer of the engine manufacturer. Failure to do so is considered misuse, and damage caused by misuse is not covered by the engine manufacturer’s limited warranty.

Occasionally you may experience light spark knock while operating under heavy loads. This is no cause for concern, it simply means your engine is operating efficiently.

- Unleaded fuel produces fewer engine and spark plug deposits and extends the life of the exhaust system components.
- Never use stale or contaminated gasoline or an oil/gasoline mixture. Avoid getting dirt, dust, or water in the fuel tank.

**GASOLINES CONTAINING ALCOHOL**

Be sure the octane rating is at least as high as that recommended by the engine manufacturer. Do not use gasohol that contains more than 10% ethanol. Do not use gasoline containing methanol.



Fuel system damage or engine performance problems resulting from the use of fuels that contain alcohol is not covered under the warranty.

**1.6 FUELING (GAS ENGINE)**



Gasoline is extremely flammable and is explosive under certain conditions.

**FUEL SPECIFICATIONS**

Use automotive gasoline that has a pump octane number of 86 or higher, or that has a research octane number of 91 or higher. Use of a lower octane gasoline can cause persistent “pinging” or heavy “spark knock” (a metallic rapping noise) which, if severe, can lead to engine damage.

## 2 MAIN AREAS OF APPLICATION

### 2.1 APPLICATION

The main area of application are thick layers of highly viscous coating material for large areas and a high consumption of material.

Priming and final coating of large areas, sealing, impregnation, construction sanitation, façade protection and renovation, rust protection and building protection, roof coating, roof sealing, concrete sanitation, as well as heavy corrosion protection.

#### EXAMPLES OF OBJECTS TO BE SPRAYED

Large-scale construction sites, cooling towers, bridges, sewage treatment plants and terraces.

#### OPERATING TEMPERATURE

This equipment will operate correctly in its intended ambient, at a minimum between +10°C and +40°C.

#### RELATIVE HUMIDITY

The equipment will operate correctly within an environment at 50% RH, +40°C. Higher RH may be allowed at lower temperatures.

Measures shall be taken by the Purchaser to avoid the harmful effects of occasional condensation.

#### ALTITUDE

This equipment will operate correctly up to 2100 m above mean sea level.

#### TRANSPORTATION AND STORAGE

This equipment will withstand, or has been protected against, transportation and storage temperatures of -25°C to +55°C and for short periods up to +70°C.

It has been packaged to prevent damage from the effects of normal humidity, vibration and shock.

#### RECOMMENDED HOSE CONFIGURATION



Use only Wagner original-high-pressure hoses in order to ensure functionality, safety and durability.

### 2.2 COATING MATERIALS

#### PROCESSIBLE COATING MATERIALS

Diluting lacquers and paints or those containing solvents, two-component coating materials, dispersion and latex paints.

No other materials should be used for spraying without Wagner's approval.



Pay attention to the Airless quality of the coating materials to be processed.

#### VISCOSITY

The unit is able to process coating materials with up to 50.000 / 65.000 mPas. If highly viscous coating materials cannot be taken in or the performance of the unit is too low, the paint must be diluted in accordance with the manufacturer's instructions.



Attention: Make sure, when stirring up with motor-driven agitators that no air bubbles are stirred in. Air bubbles disturb when spraying and can, in fact, lead to interruption of operation.

#### COATING MATERIALS WITH ABRASIVE MATERIALS

These particles have a strong wear and tear effect on valves and tips, but also on the spray gun. This impairs the durability of these wearing parts considerably.

#### TWO-COMPONENT COATING MATERIAL

The appropriate processing time must be adhered to exactly. Within this time rinse through and clean the unit meticulously with the appropriate cleaning agents.

#### FILTERING



Sufficient filtering is required for fault-free operation. The unit is equipped with a suction filter, an insertion filter in the spray gun and a high pressure filter on the unit. Regular inspection of these filters for damage or soiling is urgently recommended.

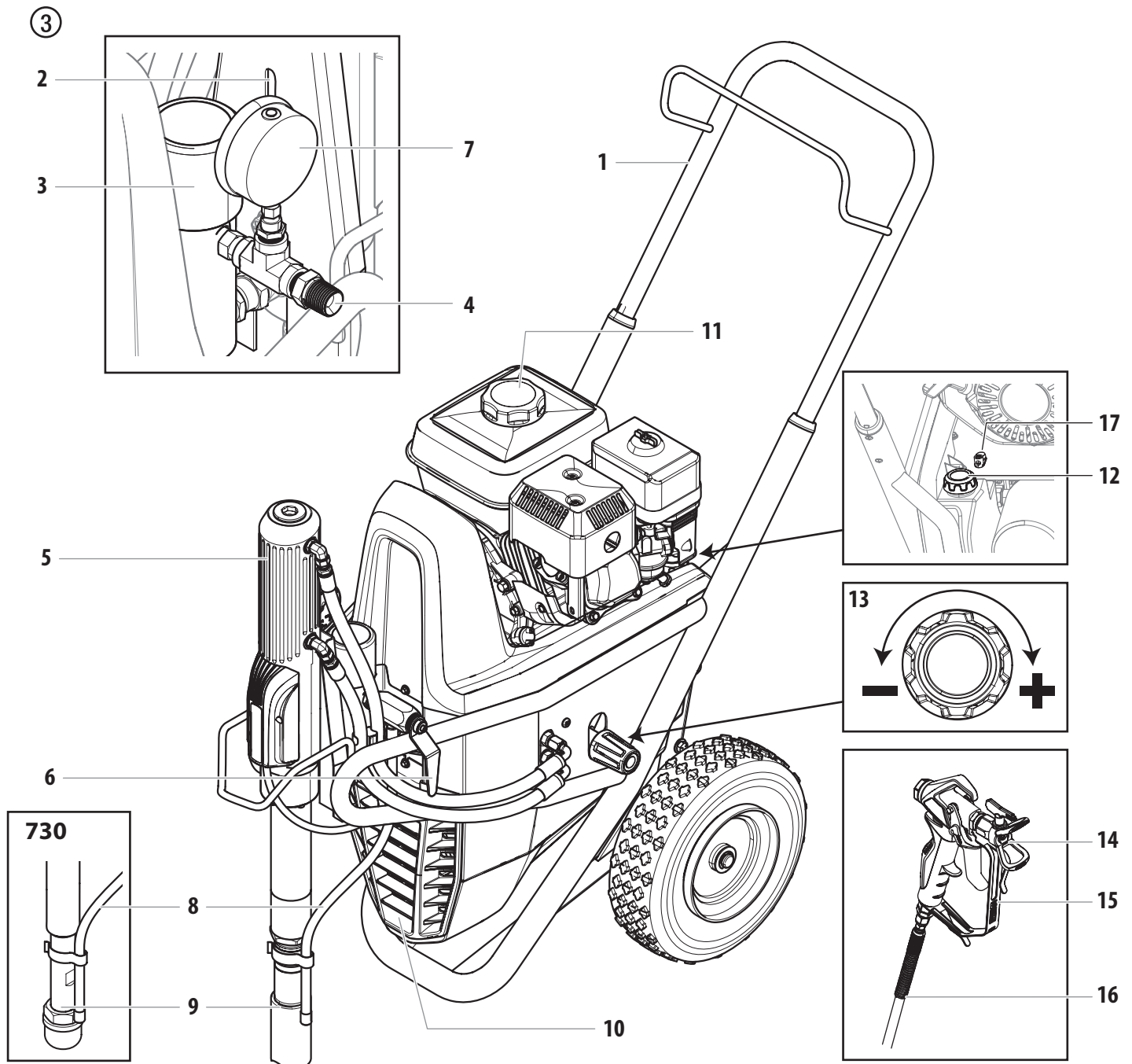
If using this sprayer with textured materials, it is important that the filter inside of the spray gun be removed. See section 6.5.





### 3 DESCRIPTION OF UNIT

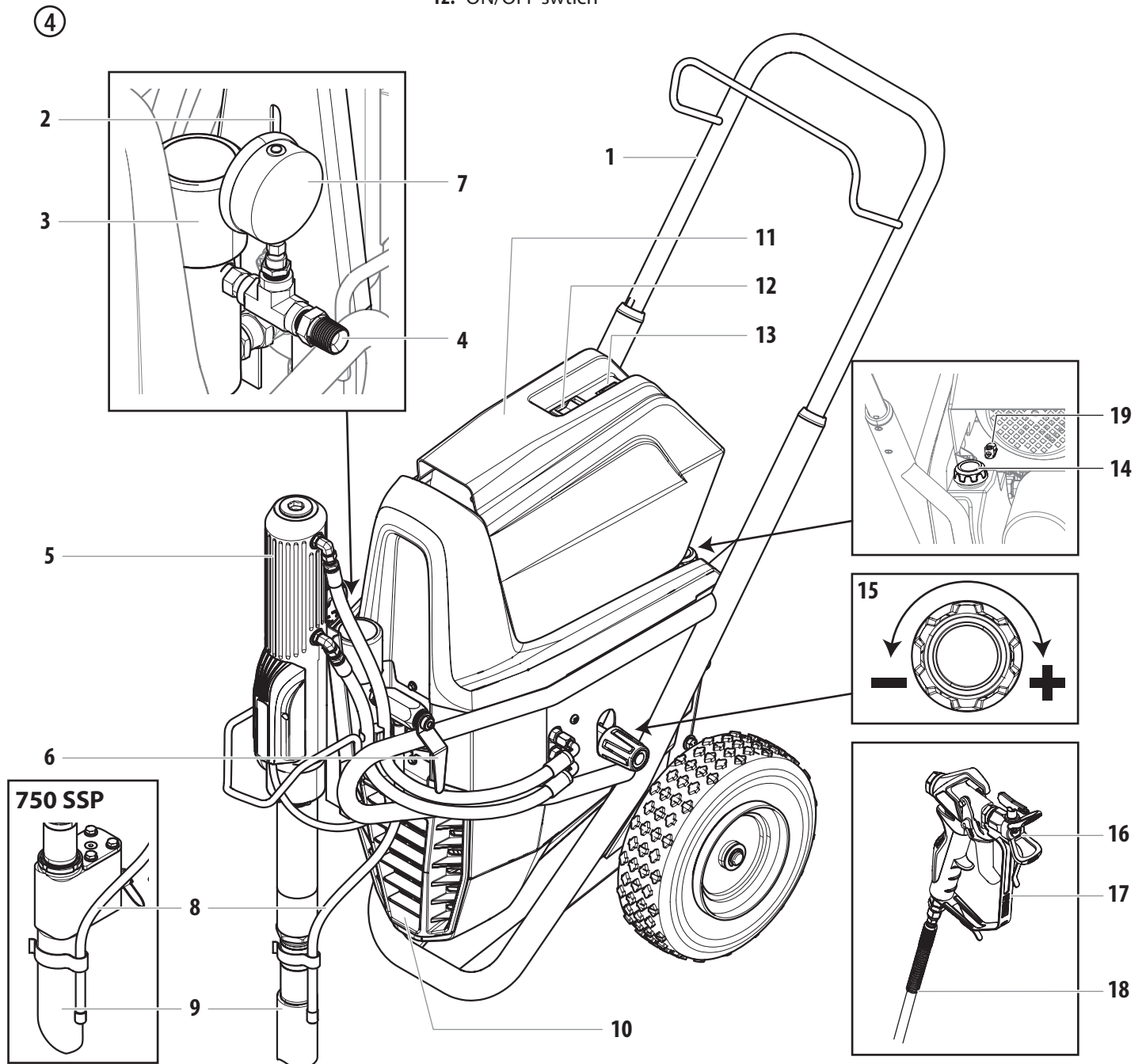
#### 3.1 SYSTEM DIAGRAM - GASOLINE HEAVYCOAT UNITS

- |                                                                                                 |                                                                                                                                                                                                                                                  |                                |
|-------------------------------------------------------------------------------------------------|--------------------------------------------------------------------------------------------------------------------------------------------------------------------------------------------------------------------------------------------------|--------------------------------|
| 1. Extractable handle                                                                           | 6. Relief valve handle:<br>Turn left for circulation <br>Turn right for spray  | 11. Gasoline engine            |
| 2. Oil cup for separating oil (separating oil prevents increased wear and tear of the packings) | 7. Manometer                                                                                                                                                                                                                                     | 12. Oil measuring stick        |
| 3. High-pressure filter                                                                         | 8. Bleed hose                                                                                                                                                                                                                                    | 13. Pressure control knob      |
| 4. High-pressure hose outlet                                                                    | 9. Suction tube                                                                                                                                                                                                                                  | 14. Tip guard with airless tip |
| 5. Hydraulic motor                                                                              | 10. V-belt under the belt cover                                                                                                                                                                                                                  | 15. Spray gun                  |
|                                                                                                 |                                                                                                                                                                                                                                                  | 16. High-pressure hose         |
|                                                                                                 |                                                                                                                                                                                                                                                  | 17. Grounding lug              |



## 3.2 SYSTEM DIAGRAM - ELECTRIC HEAVYCOAT UNITS

1. Extractable handle
2. Oil cup for separating oil (separating oil prevents increased wear and tear of the packings)
3. High-pressure filter
4. High-pressure hose outlet
5. Hydraulic motor
6. Relief valve handle:  
Turn left for circulation   
Turn right for spray 
7. Manometer
8. Bleed hose
9. Suction tube
10. V-belt under the belt cover
11. Electric motor
12. ON/OFF switch
13. Control lamp that shows unit operational
14. Oil measuring stick
15. Pressure control knob
16. Tip guard with airless tip
17. Spray gun
18. High-pressure hose
19. Grounding lug



**3.3 TECHNICAL DATA**

	HeavyCoat 730 (gas)	HeavyCoat 750 (110V) HeavyCoat 750 (230V)	HeavyCoat 750 SSP (230V)	HeavyCoat 750 (gas)	HeavyCoat 770 (gas)
<b>Gasoline engine, power</b>					
Honda	163cc, 4.9 Hp, 3.6 kW	-----	-----	196cc, 5.6 Hp, 4.1 kW	270cc, 8.4 Hp, 6.2 kW
<b>Fuel Capacity</b>					
	3.1 l	-----	-----	3.1 l	6.06 l
<b>Voltage</b>					
110V	-----	~ 110V, 50 Hz	-----	-----	-----
230V	-----	~ 230V, 50/60 Hz	~ 230V, 50/60 Hz	-----	-----
<b>Capacity</b>					
	-----	3.1 kW	3.1 kW	-----	-----
<b>Power Cord</b>					
	-----	3 x 2.5 mm <sup>2</sup> – 6 m	3 x 2.5 mm <sup>2</sup> – 6 m	-----	-----
<b>Current Protection</b>					
	-----	15 A	15 A	-----	-----
<b>Max. operating pressure</b>					
	25 MPa (250 bar)	25 MPa (250 bar)	25 MPa (250 bar)	25 MPa (250 bar)	25 MPa (250 bar)
<b>Max. sound pressure level</b>					
	92 dB (A)*	80 dB (A)*	80 dB (A)*	92 dB (A)*	98 dB (A)*
<b>Max. size of tip with a spray gun</b>					
1-gun	0.041" – 1.04 mm	0.043" – 1.09 mm	0.043" – 1.09 mm	0.047" – 1.19 mm	0.055" – 1.40 mm
2-gun	0.029" – 0.73 mm	0.031" – 0.79 mm	0.031" – 0.79 mm	0.033" – 0.84 mm	0.039" – 0.99 mm
3-gun	0.021" – 0.53 mm	0.023" – 0.58 mm	0.023" – 0.58 mm	0.027" – 0.68 mm	0.031" – 0.79 mm
4-gun	0.019" – 0.48 mm	0.021" – 0.53 mm	0.021" – 0.53 mm	0.023" – 0.58 mm	0.027" – 0.68 mm
<b>Max. volume flow</b>					
	6.00 l/min	6.00 l/min	6.00 l/min	7.60 l/min	11.4 l/min
<b>Weight</b>					
	78 kg	85 kg	87 kg	81 kg	90 kg
<b>Suction system</b>					
	standard	submersible	shovel valve	submersible	submersible
<b>Max. viscosity</b>					
	50.000 mPa·s			65.000 mPa·s	
<b>Dimensions L x W x H</b>					
	1090 x 660 x 866 mm				
<b>Max. temperature of the coating material</b>					
	43°C				
<b>Filter insert (standard equipment)</b>					
	50 mesh, 18 in <sup>2</sup>	0 mesh, 18 in <sup>2</sup>	50 mesh, 18 in <sup>2</sup>	50 mesh, 18 in <sup>2</sup>	5 mesh, 18 in <sup>2</sup>
<b>Hydraulic oil filling quantity</b>					
	5.9 l				
<b>Max. tire pressure</b>					
	0.2 MPa (2 bar, 30 PSI)				
<b>Recommended hose configuration</b>					
	DN 12 mm, 15 m, connection thread NPSM 1/2, DN 6 mm, 60 m, connection thread NPSM 1/4				

\* Place of measurement: 1 m distance from unit and 1.60 m above reverberant floor, 120 bar (12 MPa) operating pressure.

### 3.4 TRANSPORTATION



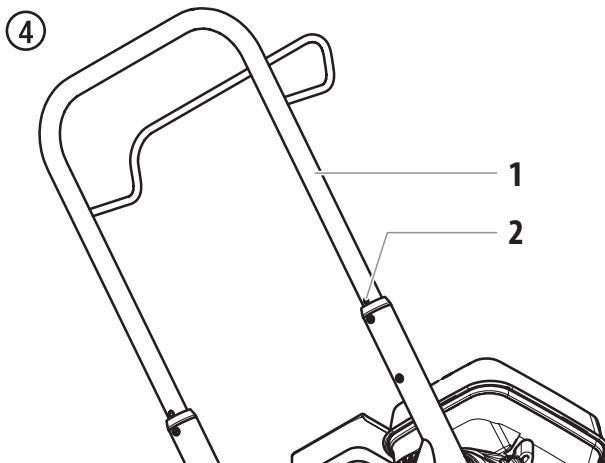
Do not lift by cart handle when loading or unloading.  
Device is very heavy. Three-person lift is required.

#### TRANSPORTATION IN VEHICLE

Secure the unit with a suitable fastening.

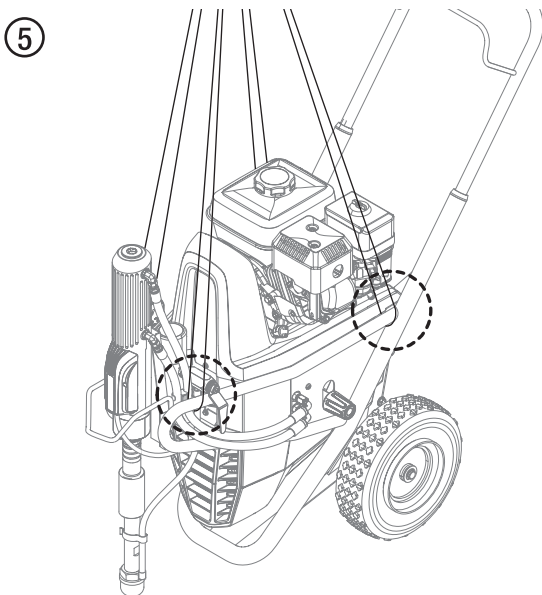
#### PUSHING OR PULLING THE UNIT

Pull out the handle (Fig. 4, Item 1) until it will come no further. Insert the handle – push the buttons (2) on the cart, and then push in the handle.



### 3.5 CRANE TRANSPORT

Hanging points for crane straps or ropes, see figure 5.



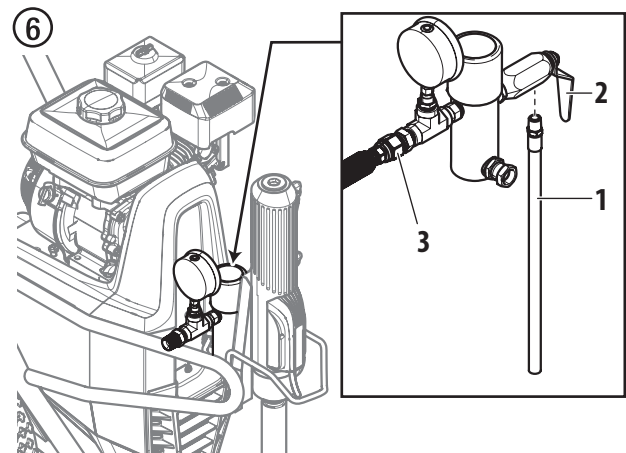
## 4 OPERATION



This equipment produces a fluid stream at extremely high pressure. Read and understand the warnings in the Safety Precautions section at the front of this manual before operating this equipment.

### 4.1 SETUP

1. Make sure the bleed hose (Fig. 6, item 1) is threaded into the bleed valve (2). It has factory installed PTFE tape on the fitting and should be tightened wrench tight.
2. Attach a minimum of 50' (15 m) of nylon airless spray hose (3) to the sprayer. Do not use PTFE tape or thread sealant on the spray hose connection.

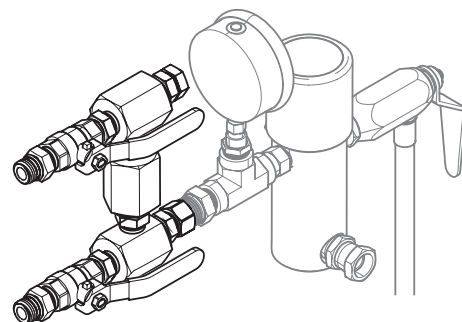


3. Attach an airless spray gun to the spray hose. Do not attach the tip to the spray gun yet. Remove the tip if it is already attached.



For multiple gun operation, connect a multiple gun manifold to the single gun outlet. Connect a hose and gun to each outlet. Make sure the second gun outlet remains plugged. See "Technical Data", Section 3.5 to determine number of guns and maximum spray tip sizes.

7

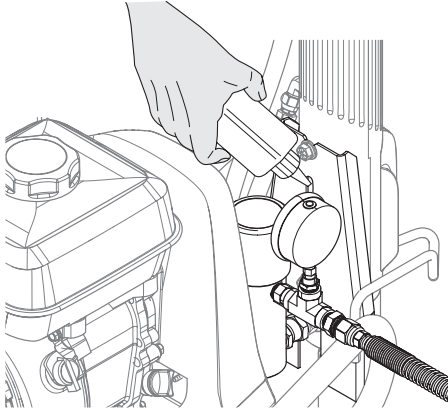


4. Fill the oil cup 1/2 full with EasyGlide (P/N 0508619). This extends packing life.



EasyGlide prevents increased wear and tear to the packings.

⑧



5. Check the hydraulic fluid level daily before starting the sprayer. The hydraulic fluid level should be touching the bottom of the dipstick. Refer to the Maintenance section of this manual for hydraulic system maintenance instructions.



Use of Wagner's Hydraulic Fluid (P/N 0555425) is mandatory in the hydraulic system. Do not use any other hydraulic fluid. Use of any other hydraulic fluid may seriously damage the hydraulic system and will void the warranty.

6. For gas models, check the engine oil level daily before starting the sprayer. The gasoline engine oil level is determined by the engine manufacturer. Refer to the engine manufacturer's service manual supplied with this sprayer.
7. For electric models, use a 15 amp service outlet. Always locate the electric model within 10 to 15 feet of the service outlet. Use a short electric cable and a long paint hose. Any extension cord will create some voltage drop. If an extension cord is necessary, use only a grounded 3-wire 12-gauge extension cord.
8. Make sure the sprayer is grounded/earthed. All sprayers are equipped with a grounding/earthing lug. A grounding/earthing cable should be used to connect the sprayer to a true earth ground. Check your local electrical regulations for detailed grounding/earthing instructions.



Proper grounding/earthing is important. The passage of some materials through the nylon fluid hose will build up a static electric charge, which if discharged, could ignite solvent vapors present and create an explosion.

9. Strain all paints with a nylon strainer to ensure trouble free operation and freedom from frequent cleaning of the suction filter and gun filter.
10. Make sure the spray area is well ventilated to prevent hazardous operation with volatile solvents or exhaust fumes.



If lacquer or other flammable materials are to be sprayed, ALWAYS locate the sprayer outside the immediate spraying area. Failure to do so may cause an explosion.

11. Locate the sprayer outside the immediate spraying area to avoid clogged air intake of the engine with overspray.

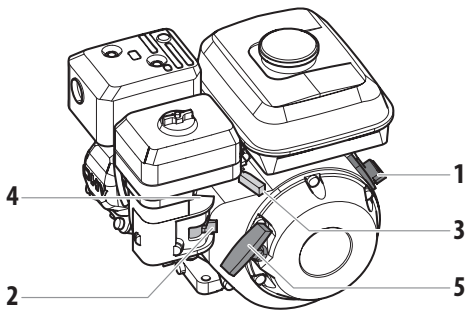
## 4.2 STARTING THE ENGINE (GAS MODELS)



Follow these instructions whenever prompted in this manual to start the engine.

1. Move the fuel valve lever (Fig. 9, item 2) to the open position.
2. Move the throttle lever (3) to its middle point.
3. Move the choke lever (4) to the closed position for a cold engine or to the open position for a warm engine.
4. Turn the engine switch (1) to the ON position.
5. Pull the starter rope (5) briskly until the engine starts.

⑨



If choke lever (4) was moved to closed position to start the engine, it must be opened again once the engine is running.

## 4.3 PREPARING A NEW SPRAYER



If this unit is new, it is shipped with test fluid in the fluid section to prevent corrosion during shipment and storage. This fluid must be thoroughly cleaned out of the system with suitable cleaning agent before you begin spraying.

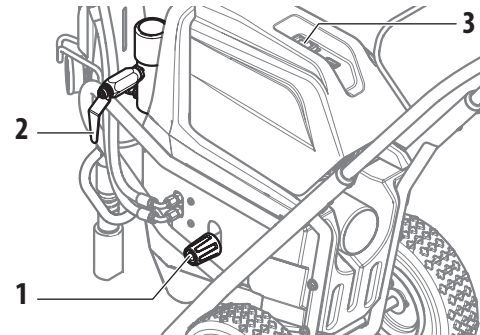


Always keep the trigger lock on the spray gun in the locked position while preparing the system. Refer to the spray gun instruction manual for trigger lock instructions.

1. Place the siphon tube into a container of suitable cleaning agent.
2. Place the bleed hose into a metal waste container.



3. Turn the pressure control knob fully counterclockwise to its lowest pressure setting (Fig. 10, item 1).
4. Open the bleed valve (2) by turning it fully counterclockwise.

⑩

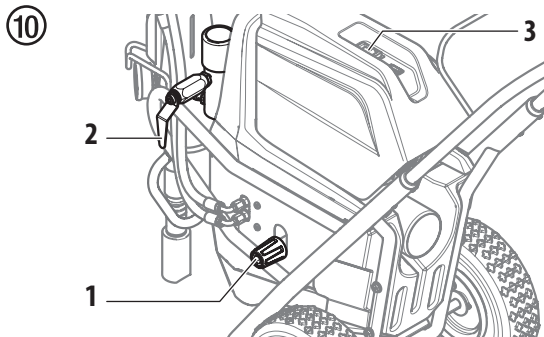


5. Start the engine or turn on the electric motor:
  - a. To start the gas engine, follow the steps in section 4.2
  - b. To start the electric motor, push and hold the ON/OFF switch (3) in the ON position until the electric motor is at full speed, then release the switch.
6. Turn the pressure control knob (fig. 10, item 1) clockwise approximately 1/3 of the way to increase pressure until the sprayer cycles evenly and solvent flows freely from the bleed hose.
7. Allow the sprayer to run for 15–30 seconds to flush the test fluid out through the bleed hose and into the waste container.
8. Turn off the sprayer.
  - a. To turn off the gas engine,
    - set the pressure to minimum by turning the pressure control knob fully counterclockwise,
    - move the throttle lever to the slow position, and
    - turn the engine switch to the OFF position.
  - b. To turn off the electric motor,
    - set the pressure to minimum by turning the pressure control knob fully counterclockwise,
    - move the ON/OFF switch to the OFF position.

**4.4 PREPARING TO PAINT**


	<p>Before painting, it is important to make sure that the fluid in the system is compatible with the paint that is going to be used.</p> <p>Incompatible fluids and paint may cause the valves to become stuck closed, which would require disassembly and cleaning of the sprayer's fluid section.</p>
	<p>Always keep the trigger lock on the spray gun in the locked position while preparing the system. Refer to the spray gun instruction manual for trigger lock instructions.</p>

1. Place the siphon tube into a container of mineral spirits.
2. Place the bleed hose into a metal waste container.
3. Turn the pressure control knob fully counterclockwise to its lowest pressure setting (Fig. 10, item 1).
4. Open the bleed valve (2) by turning it fully counterclockwise.




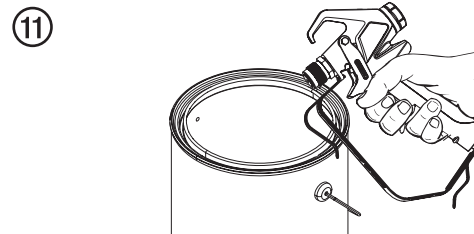
5. Start the engine or turn on the electric motor:
  - a. To start the gas engine, follow the steps in section 4.2
  - b. To start the electric motor, push and hold the ON/OFF switch (3) in the ON position until the electric motor is at full speed, then release the switch.
6. Turn the pressure control knob (Fig. 10, item 1) clockwise approximately 1/3 of the way to increase pressure until the sprayer cycles evenly and solvent flows freely from the bleed hose.
7. Allow the sprayer to run for 15–30 seconds to flush the test fluid out through the bleed hose and into the waste container.
8. Turn off the sprayer.
  - a. To turn off the gas engine,
    - set the pressure to minimum by turning the pressure control knob fully counterclockwise,
    - move the throttle lever to the slow position, and
    - turn the engine switch to the OFF position.

- b. To turn off the electric motor,
  - set the pressure to minimum by turning the pressure control knob fully counterclockwise,
  - move the ON/OFF switch to the OFF position.


	<p>Make sure that the spray gun does not have a tip or tip guard installed.</p>
-----------------------------------------------------------------------------------	---------------------------------------------------------------------------------

9. Close the bleed valve by turning it fully clockwise.
10. Start the engine or turn on the electric motor.
11. Turn the pressure control knob clockwise approximately 1/3 of the way down to increase pressure.
12. Unlock the gun by turning the gun trigger lock to the unlocked position.

	<p>Ground/Earth the gun by holding it against the edge of the metal container while flushing. Failure to do so may lead to a static electric discharge, which may cause a fire.</p>
-----------------------------------------------------------------------------------	-------------------------------------------------------------------------------------------------------------------------------------------------------------------------------------



13. Trigger the gun into the metal waste container until the old solvent is gone and fresh solvent is coming out of the gun.
14. Lock the gun by turning the gun trigger lock to the locked position (refer to spray gun manual).
15. Set down the gun and increase the pressure by turning the pressure control knob slowly clockwise to its highest setting.
16. Check the entire system for leaks. If leaks occur, turn the sprayer off and follow the "Pressure Relief Procedure" in this manual before tightening any fittings or hoses.
17. Follow the "Pressure Relief Procedure" (section 4.6) in this manual before changing from solvent to paint.

	<p>Be sure to follow the Pressure Relief Procedure when shutting the unit down for any purpose, including servicing or adjusting any part of the spray system, changing or cleaning spray nozzles, or preparing for cleanup.</p>
-------------------------------------------------------------------------------------	----------------------------------------------------------------------------------------------------------------------------------------------------------------------------------------------------------------------------------

## 4.5 PAINTING

1. Place the siphon hose into a container of paint.
2. Place the bleed hose into a metal waste container.
3. Turn the pressure control knob fully counterclockwise to its lowest pressure setting (Fig. 10, item 1).
4. Open the bleed valve (2) by turning it fully counterclockwise.
5. Start the engine or turn on the electric motor:
  - a. To start the gas engine, follow the steps in section 4.2
  - b. To start the electric motor, push and hold the ON/OFF switch (3) in the ON position until the electric motor is at full speed, then release the switch.
6. Turn the pressure control knob (Fig. 10, item 1) clockwise approximately 1/3 of the way down to increase pressure until the sprayer cycles evenly and solvent flows freely from the bleed hose.
7. Turn off the sprayer.
  - a. To turn off the gas engine,
    - set the pressure to minimum by turning the pressure control knob fully counterclockwise,
    - move the throttle lever to the slow position, and
    - turn the engine switch to the OFF position.
  - b. To turn off the electric motor,
    - set the pressure to minimum by turning the pressure control knob fully counterclockwise,
    - move the ON/OFF switch to the OFF position.
8. Remove the bleed hose from the waste container and place it into the container of paint.
9. Close the bleed valve by turning it fully clockwise.
10. Start the engine or turn on the electric motor.
11. Turn the pressure control knob clockwise approximately 1/3 of the way down to increase pressure.
12. Unlock the gun by turning the gun trigger lock to the unlocked position.



Ground/Earth the gun by holding it against the edge of the metal container while flushing. Failure to do so may lead to a static electric discharge, which may cause a fire.

13. Trigger the gun into the metal waste container until all air and solvent is flushed from the spray hose and paint is flowing freely from the gun.
14. Lock the gun by turning the gun trigger lock to the locked position.
15. Turn off the sprayer.
16. Attach tip guard and tip to the gun as instructed by the tip guard or tip manuals.



**POSSIBLE INJECTION HAZARD.** Do not spray without the tip guard in place. Never trigger the gun unless the tip is in either the spray or the unclog position. Always engage the gun trigger lock before removing, replacing or cleaning tip.

17. Start the engine or turn on the electric motor.
18. Increase the pressure by turning the pressure control knob slowly clockwise and test the spray pattern on a piece of cardboard. Adjust the pressure control knob until the spray from the gun is completely atomized.



Turning the pressure up higher than needed to atomize the paint will cause premature tip wear and additional overspray.

## 4.6 PRESSURE RELIEF PROCEDURE



Be sure to follow the Pressure Relief Procedure when shutting the unit down for any purpose, including servicing or adjusting any part of the spray system, changing or cleaning spray nozzles, or preparing for cleanup.

1. Lock the spray gun by turning the gun trigger lock to the locked position.
2. Turn off the sprayer.
  - a. To turn off the gas engine,
    - set the pressure to minimum by turning the pressure control knob fully counterclockwise,
    - move the throttle lever to the slow position, and
    - turn the engine switch to the OFF position.
  - b. To turn off the electric motor,
    - set the pressure to minimum by turning the pressure control knob fully counterclockwise,
    - move the ON/OFF switch to the OFF position.
3. Unlock the gun by turning the gun trigger lock to the unlocked position (refer to spray gun manual).
4. Hold the metal part of the gun firmly to the side of a metal waste container to ground/earth the gun and avoid a build up of static electricity.
5. Trigger the gun to remove any pressure that may still be in the hose.
6. Lock the gun by turning the gun trigger lock to the locked position (refer to spray gun manual).
7. Place the bleed hose into the metal waste container.
8. Open the bleed valve by turning it fully counterclockwise.

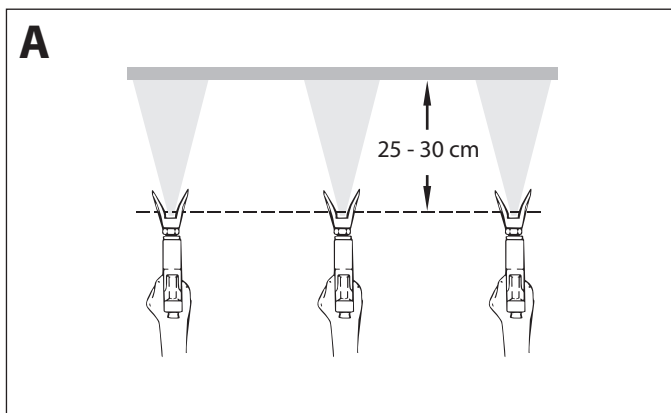


## 5 SPRAYING

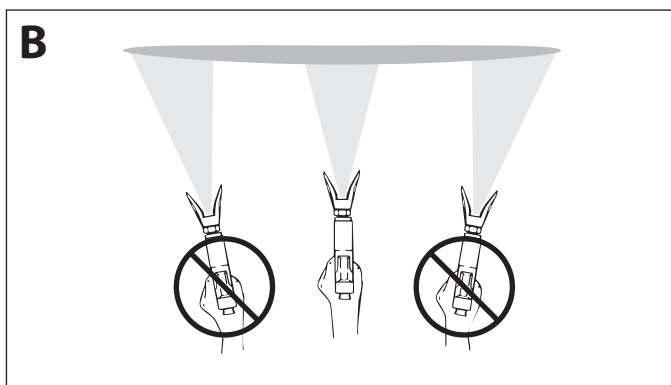


Injection hazard. Do not spray without the tip guard in place. NEVER trigger the gun unless the tip is completely turned to either the spray or the unclog position. ALWAYS engage the gun trigger lock before removing, replacing or cleaning tip.

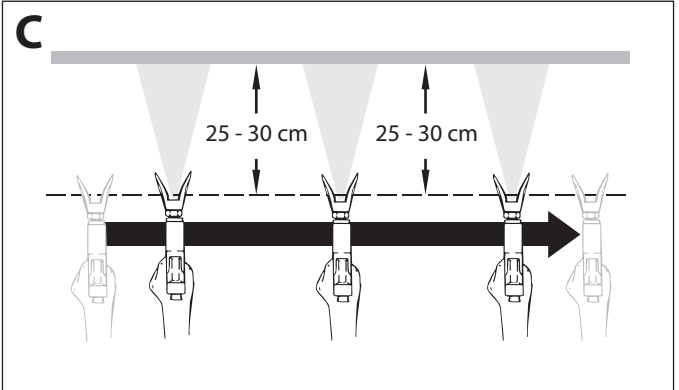
- A)** The key to a good paint job is an even coating over the entire surface. Keep your arm moving at a constant speed and keep the spray gun at a constant distance from the surface. The best spraying distance is 10-12 inches (25 to 30 cm) between the spray tip and the surface.



- B)** Keep the spray gun at right angles to the surface. This means moving your entire arm back and forth rather than just flexing your wrist. Keep the spray gun perpendicular to the surface, otherwise one end of the pattern will be thicker than the other.



- C)** Trigger gun after starting the stroke. Release the trigger before ending the stroke. The spray gun should be moving when the trigger is pulled and released. Overlap each stroke by about 30%. This will ensure an even coating.



If very sharp edges result or if there are streaks in the spray jet – increase the operating pressure or dilute the coating material.

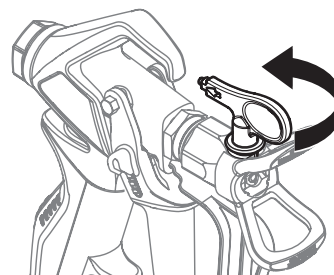
### 5.1 CLEANING A CLOGGED TIP



If the spray pattern becomes distorted or stops completely while pulling the trigger, perform the steps below.

1. Turn the relief valve to PRIME (↻ circulation).
2. If the tip clogs, rotate the tip handle 180° until the arrow on the handle is facing the opposite of the spray direction and the handle clicks in the reverse position (Fig. 12).
3. Turn the relief valve to SPRAY (➤ spray).

12





4. Trigger the gun once so that the pressure can blow the clog out. NEVER use the tip in the reverse position for more than ONE trigger pull at a time. This procedure can be repeated until the tip is free of clogging.





The flow from the spray tip is at very high pressure. Contact with any body part may be dangerous. Do not place finger on gun outlet. Do not point the gun at any person. Never operate the spray gun without the proper tip guard.



**5.2 INTERRUPTION OF WORK**

	Follow these steps if stopping work for up to 20 hours. Only follow these steps if you used latex - or water-based spray materials.
	If you are just simply swapping out material containers, turn the pressure control knob fully counterclockwise to minimum prior to changing the material container.  Turn pressure control knob clockwise to previous position when ready to resume spraying.




1. Follow the "Pressure Relief Procedure" found in the Operation section of this manual, section 4.6.
2. Place the spray gun in a plastic bag, or drop it into a bucket of water.
3. Leave the suction tube and return hose immersed in the coating material or immerse it into a corresponding cleaning agent.
4. Cover the coating material with plastic and place unit in a cool, shaded spot to keep material from drying out.

 <b>Attention</b>	If fast-drying or two-component coating material is used, ensure that the unit is rinsed with a suitable cleaning agent within the processing time.
	When ready to being spraying again, remove the plastic from the material container and restart the sprayer by following the steps in section 4.5.



**5.3 HANDLING THE HIGH-PRESSURE HOSE**

	The unit is equipped with a high-pressure hose specially suited for airless pumps.
	Danger of injury through leaking high-pressure hose. Replace any damaged high-pressure hose immediately.  Never repair damaged high-pressure hoses yourself!

The high-pressure hose is to be handled with care. Avoid sharp bends and folds: the smallest bending radius is about 8" (20 cm). Do not drive over the high-pressure hose. Protect against sharp objects and edges.  
  
Never pull on the high-pressure hose to move the device.  
  
Make sure that the high-pressure hose cannot twist. This can be avoided by using a Wagner spray gun with a swivel joint and hose system.

	When using the high-pressure hose while working on scaffolding, it is best to always guide the hose along the outside of the scaffolding.
	The risk of damage rises with the age of the high-pressure hose. Wagner recommends replacing high-pressure hoses after 6 years.
	Use only Wagner original-high-pressure hoses in order to ensure functionality, safety and durability.

## 6 CLEANUP


 <p>Attention</p>	<p>The sprayer, hose, and gun should be cleaned thoroughly after daily use. Failure to do so permits material to build up, seriously affecting the performance of the unit.</p>
	<p>Always spray at minimum pressure with the gun nozzle tip removed when using mineral spirits or any other solvent to clean the sprayer, hose, or gun. Static electricity buildup may result in a fire or explosion in the presence of flammable vapors.</p>

### 6.1 SPECIAL CLEANUP INSTRUCTIONS FOR USE WITH FLAMMABLE SOLVENTS

- Always flush spray gun preferably outside and at least one hose length from spray pump.
- If collecting flushed solvents in a one gallon metal container, place it into an empty five gallon container, then flush solvents.
- Area must be free of flammable vapors.
- Follow all cleanup instructions.


### 6.2 CLEANING THE SPRAYER

1. Follow the "Pressure Relief Procedure" found in the Operation section of this manual, section 4.6.
2. Remove the gun tip and tip guard and clean with a brush using the appropriate solvent.
3. Place the siphon tube into a container of the appropriate solvent.


 <p>Attention</p>	<p>Use only compatible solvents when cleaning. Check with the fluid manufacturer for the recommended solvent.</p>
------------------------------------------------------------------------------------------------------	-------------------------------------------------------------------------------------------------------------------

4. Place the bleed hose into a metal waste container.
5. Set the pressure to minimum by turning the pressure control knob fully counterclockwise.
6. Open the bleed valve by rotating the bleed valve handle fully counterclockwise.
7. Start the engine or turn on the electric motor.
8. Allow the solvent to circulate through the sprayer and flush the paint out of the bleed hose into the metal waste container.


9. Switch the unit OFF (turn the engine switch OFF).
10. Close the bleed valve by rotating the bleed valve handle fully clockwise.
11. Start the engine or turn on the electric motor.

	<p>Earth the gun by holding it against the edge of the metal container while flushing. Failure to do so may lead to a static electric discharge, which may cause a fire.</p>
-----------------------------------------------------------------------------------	------------------------------------------------------------------------------------------------------------------------------------------------------------------------------


12. Trigger the gun into the metal waste container until the paint is flushed out of the hose and solvent is coming out of the gun.
13. Continue to trigger the spray gun into the waste container until the solvent coming out of the gun is clean.


	<p>For long-term or cold weather storage, pump mineral spirits through the entire system.</p>
-----------------------------------------------------------------------------------	-----------------------------------------------------------------------------------------------

14. Follow the "Pressure Relief Procedure" found in the Operation section of this manual.
15. Store the sprayer in a clean, dry area.

 <p>Attention</p>	<p>Do not store the sprayer under pressure.</p>
------------------------------------------------------------------------------------------------------	-------------------------------------------------

### 6.3 CLEANING THE OUTSIDE OF THE UNIT

	<p>Electric models - Make sure the power cord is unplugged to prevent electric shock.</p>
-------------------------------------------------------------------------------------	-------------------------------------------------------------------------------------------

 <p>Attention</p>	<p>Danger of short circuit through penetrating water!                  Never spray down the unit with high-pressure water or high-pressure steam cleaners.                  Do not put the high-pressure hose into solvents. Use only a wet cloth to wipe down the outside of the hose.</p>
------------------------------------------------------------------------------------------------------	-----------------------------------------------------------------------------------------------------------------------------------------------------------------------------------------------------------------------------------------------------------------------------------------------------

Wipe down unit externally with a cloth which has been immersed in a suitable cleaning agent.

## 6.4 CLEANING THE FILTER SCREEN

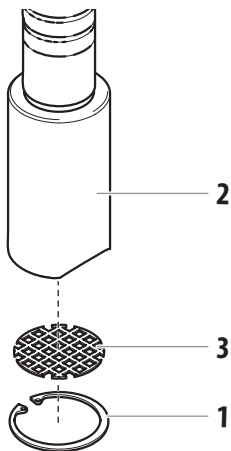


A clean filter screen always guarantees maximum feed quantity, constant spraying pressure and problem-free functioning of the unit.

### SUBMERSIBLE SUCTION SYSTEM

1. The filter screen will clog and must be cleaned at least once a day.
2. Remove the retaining ring (Fig. 13, item 1) from the foot valve housing (2).
3. Remove the inlet screen (3) from the foot valve housing (2).
4. Clean thoroughly with the appropriate solvent.

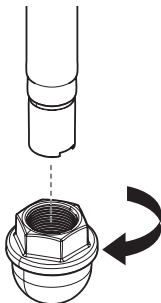
13



### STANDARD SUCTION SYSTEM

1. Screw off the filter (Fig. 14) from suction tube.
  2. Clean or replace the filter.
- Carry out cleaning with a hard brush and an appropriate cleaning agent.

14



## 6.5 CLEANING AIRLESS SPRAY GUN



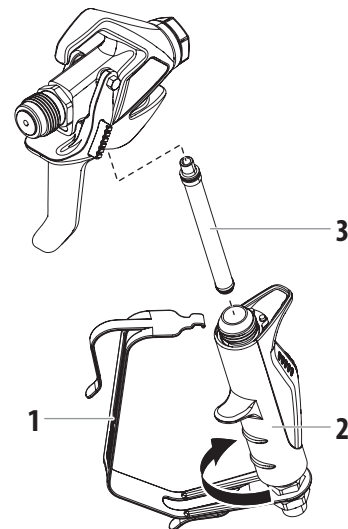
Clean the spray gun after each use.

1. Rinse airless spray gun with an appropriate cleaning agent.
2. Clean tip thoroughly with appropriate cleaning agent so that no coating material residue remains.
3. Thoroughly clean the outside of the airless spray gun.

### INTAKE FILTER IN AIRLESS SPRAY GUN (FIG. 15)

1. Unclip the top of the trigger guard (1) from the gun head.
2. Using the bottom of the trigger guard as a wrench, loosen and remove the handle assembly (2) from the gun head.
3. Pull the old filter (3) out of the gun head. Clean or replace.
4. Slide the new filter, tapered end first, into the gun head.
5. Thread the handle assembly into the gun head. Tighten with the trigger wrench.
6. Snap the trigger guard back onto the gun head.

15



## 7 MAINTENANCE



Before proceeding, follow the Pressure Relief Procedure outlined previously in this manual. Additionally, follow all other warnings to reduce the risk of an injection injury, injury from moving parts or electric shock. Always unplug the sprayer before servicing!

### 7.1 DAILY MAINTENANCE

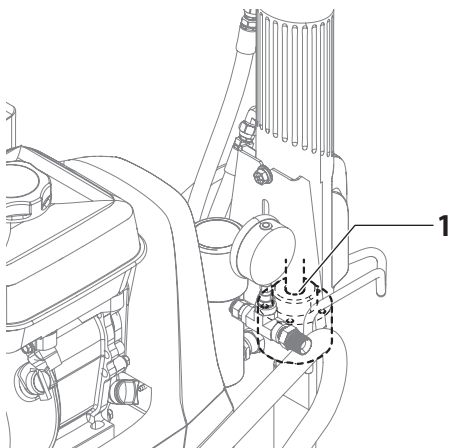
Two daily procedures are required for routine operator maintenance on this sprayer:

- A. Lubricating the upper packings (section 7.2).
- B. Cleaning the filter screen (section 6.4).

### 7.2 LUBRICATING THE UPPER PACKINGS

1. Clean out the paint that has seeped past the upper packings into the packing oil reservoir (fig. 16, item 1) above the fluid section.
2. Fill the packing oil reservoir 1/2 full with EasyGlide (P/N 0508619) supplied by the factory. This will extend packing life.

16



Do not over-fill the reservoir so that it overflows and drips into the paint.

### 7.3 MAINTAINING THE FILTER ASSEMBLY



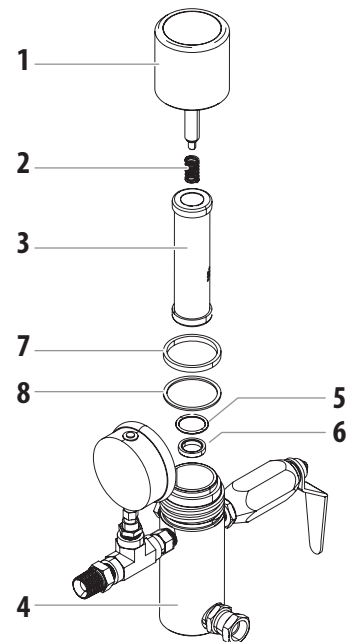
Clean the filter regularly. Dirty or clogged filters can greatly reduce filtering ability and cause a number of system problems including poor spray patterns, clogged spray tips, etc.

#### CLEANING (FIG. 17)

To clean the filter, perform the following procedure.

1. Follow the "Pressure Relief Procedure" found in the Operation section of this manual.
2. Remove the filter cap assembly (1) and spring (2).
3. Pull the filter element with ball straight (3) out of the filter body (4).
4. Clean inside the filter body, filter element with ball, and filter cap assembly using the appropriate solvent.

17



Use care in handling parts as dirt, debris, scratches, or nicks may prevent o-rings or gaskets from sealing.

This filter element filters from the inside out. Be sure to clean the filter element thoroughly on the inside. Soak in solvent to loosen hardened paint or replace.

**INSPECTION (FIG. 17)**

Inspect all parts of the filter assembly before reassembly.

1. Inspect the ball inside the filter element. If the ball has pressure cuts or scratches, replace the filter element.
  - a. If the ball is cut, remove the PTFE o-ring (5) using an o-ring pick and remove the carbide seat (6).
  - b. Check the seat for nicks or grooves. If the seat is damaged, replace.

<b>i</b>	Removal of the PTFE o-ring will damage the o-ring and require replacement.
----------	----------------------------------------------------------------------------

2. Remove the spring (2) from the spring guide on the filter cap.
  - a. Measure the length of the spring uncompressed. If it measures less than 3/4" from end to end, replace.
  - b. Push the spring back onto the spring guide until it "snaps" back into position.
3. Inspect the two PTFE gaskets (7,8) and the PTFE o-ring (5) for deformity, nicks, or cuts. Replace, if needed.

<b>i</b>	The PTFE gaskets, PTFE o-ring, and spring are packaged in Filter Service Kit P/N 930-050.
----------	-------------------------------------------------------------------------------------------

**REASSEMBLY (FIG. 17)**

After cleaning and inspecting all parts, reassemble the filter.

1. Place the carbide seat (6) into the filter body (4). Make sure the beveled side of the seat is facing up.
2. Place the PTFE o-ring (5) into the groove on the outer diameter of the carbide seat (6).
3. Place the filter element with ball (3) into the filter body (4).

<b>i</b>	The top and bottom of the filter element with ball are identical.
----------	-------------------------------------------------------------------

4. Push the spring (2) back onto the spring guide of the filter cap (1) until it "snaps" back into position, if not already done.
5. Place the thin PTFE gasket (8) onto the step at the top of the filter body (4).
6. Place the thick PTFE gasket (7) onto the top of the thin gasket (8).
7. Tighten the filter cap assembly (1) onto the filter body (4).

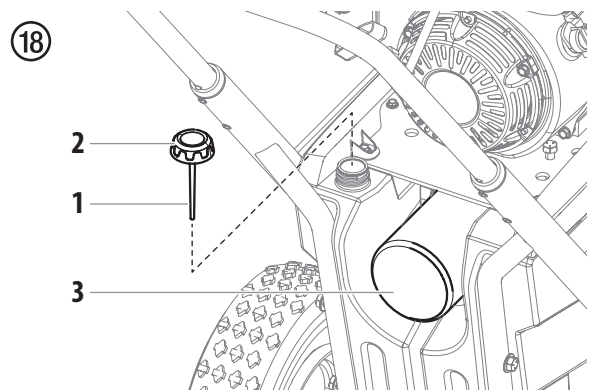
**7.4 MAINTAINING THE HYDRAULIC SYSTEM**



Use of Wagner's Hydraulic Fluid is mandatory in the HeavyCoat hydraulic system. Do not use any other hydraulic fluid. Use of any other hydraulic fluid may seriously damage the hydraulic system and will void the warranty.

1. Check the hydraulic fluid daily. The hydraulic fluid level should be touching the bottom of the dipstick (1). If it is dry, add only Wagner Hydraulic Fluid (P/N 0555425). Never add or change hydraulic fluid except in a clean, dust-free area. Contamination of the hydraulic fluid will shorten hydraulic pump life and may void warranty.





2. The hydraulic system has an external, replaceable hydraulic filter. Change the filter every twelve months.
3. The hydraulic pump should not be serviced in the field. If service on the hydraulic pump is required, it must be returned to an authorized Wagner Service Center.



### 7.5 MAINTAINING THE FLUID SECTION

If the sprayer is going to be out of service for an extended period of time, it is recommended that following cleanup, a kerosene and oil mixture be introduced as a preservative. Packings may tend to dry out from lack of use. This is particularly true of the upper packing set for which upper packing lubricant EasyGlide (P/N 0508619) is recommended in normal usage.

If the sprayer has been out of service for an extended period of time, it may be necessary to prime the pump with solvent. It is extremely important that the threads on the siphon hose coupling are properly sealed. Any air leakage will produce erratic operation of the sprayer and may damage the system. The up and the down strokes should be approximately equal in time (one should not be faster than the other). A fast up or down stroke may indicate air in the system or malfunctioning valve or seats (see the Troubleshooting section).

### 7.6 HIGH-PRESSURE HOSE

Inspect the high-pressure hose visually for any notches or bulges, in particular at the transition in the fittings. It must be possible to turn the union nuts freely. A conductivity of less than 1 MΩ must exist across the entire length.


 <p><b>Attention</b></p>	<p>Have all the electric tests carried by an Authorized Wagner Service Center.</p>
	<p>The risk of damage rises with the age of the high-pressure hose. Wagner recommends replacing high-pressure hoses after 6 years.</p>

### 7.7 BASIC ENGINE MAINTENANCE (GAS ENGINE)

- For detailed engine maintenance and technical specifications refer to the separate gasoline engine manual.
- All service to the engine should be performed by a dealer authorized by the engine manufacturer.

#### DAILY

1. Check engine oil level, and fill as necessary.
2. Check gasoline level, and fill as necessary.

	<p>Always follow the fueling procedure outlined earlier in this manual.</p>
-------------------------------------------------------------------------------------	-----------------------------------------------------------------------------

#### FIRST 20 HOURS

- Change engine oil.

#### EVERY 100 HOURS

- Change engine oil.
- Clean the sediment cup.
- Clean and re-gap the spark plug.
- Clean the spark arrestor.

#### WEEKLY

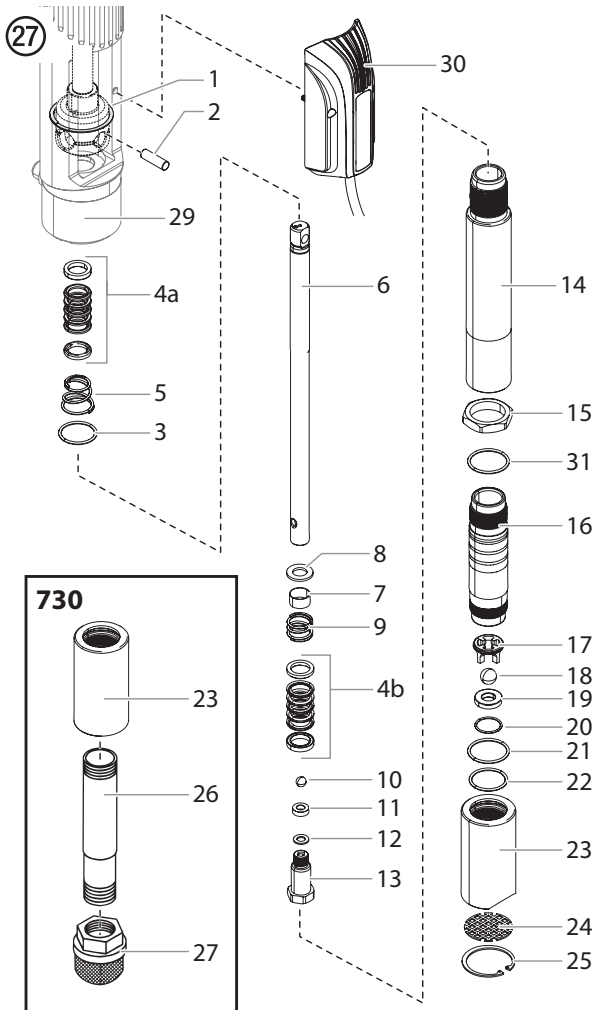
- Remove the air filter cover and clean the element. In very dusty environments, check the filter daily. Replace the element as needed. Replacement elements can be purchased from your local engine manufacturer dealer.

#### ENGINE OPERATION AND SERVICE

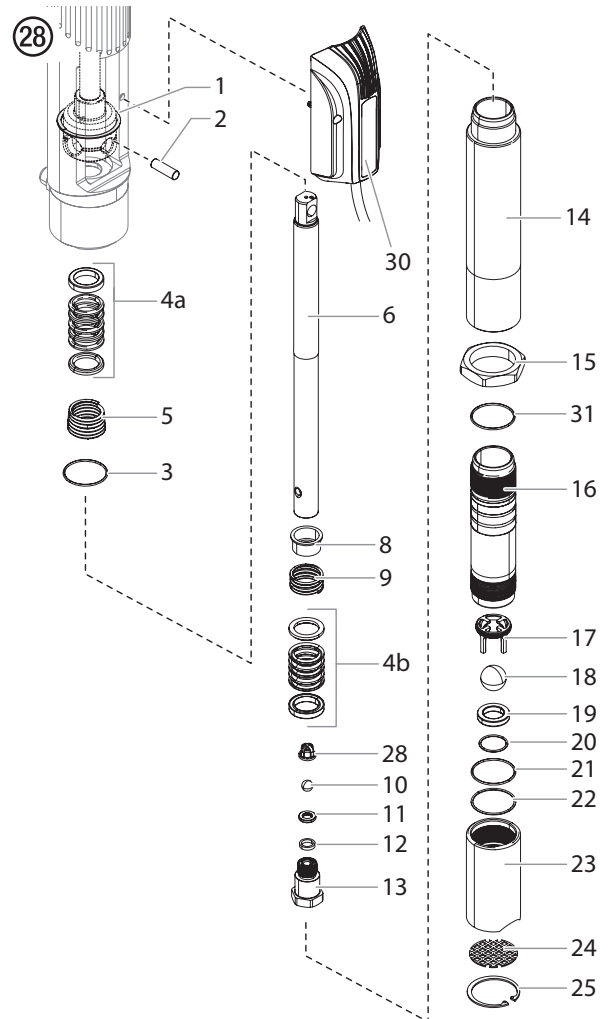
- Clean and oil air filter pad on gasoline engine every 25 hours or once weekly. Do not permit the air intake screen around the fly wheel of the gas engine to load up with paint or trash. Clean it regularly. The service life and efficiency of the gas engine model depends upon keeping the gasoline engine running properly. Change the oil in the engine every 100 hours. Failure to observe this may result in engine overheating. Consult the engine manufacturer's service manual provided.
- To conserve fuel, service life, and efficiency of the sprayer, always operate the gasoline engine at the lowest RPM at which it runs smoothly without laboring and delivers the amount required for the particular painting operation. Higher RPM does not produce higher working pressure. The gasoline engine is connected to the hydraulic pump by a pulley combination designed to produce full paint delivery at maximum RPM.
- The warranty on gasoline engines or electric motors is limited to the original manufacturer.

## 7.8 SERVICING THE FLUID SECTION

### HEAVYCOAT 730



### HEAVYCOAT 750 / HEAVYCOAT 770



**Attention**

Use of non-Wagner service parts may void warranty. Ask for original parts made by Wagner for best services. This pump should receive a routine servicing after approximately 1,000 hours of use. Earlier servicing is required if there is excessive leakage from the top packing or if pump strokes become faster on one stroke or the other. The use of Wagner EasyGlide (P/N 0508619) is recommended as an upper packing lubricant. Do not substitute oil, water, or solvent for an upper packing lubricant.

### DISASSEMBLING THE FLUID SECTION

1. Using a hex wrench, loosen the captive screws that secure the PCB board assembly (Fig. 27, item 30) to the hydraulic motor cylinder. Once removed, the board can hang by its cord.
2. Slide the retainer ring (1) up with a small screwdriver, then push the connecting pin (2) out.

3. **HeavyCoat 730** - Remove the siphon tube (26).
4. Spin the fluid section removal nut (15) counterclockwise so that it bottoms out on the threads on the cylinder (16).
5. Place a wrench on the flats of the fluid section removal nut (15). Turn the wrench counterclockwise to loosen the entire fluid section.
6. Carefully pull down the fluid section to remove from the hydraulic motor.
7. In order to service the fluid section, stabilize it by securing the flats of the fluid section removal nut (15) in a vise.
8. Unthread the foot valve housing (23) with a strap wrench.
9. Remove upper packing spring (5), and upper packing set (4a) from the motor/pump block.
10. Place a wrench on the flats on top of the displacement rod (6). Using a second wrench, loosen and remove the outlet valve housing (13) from the displacement rod (6).
11. Remove the seal washer (12), outlet valve seat (11), outlet valve ball (10), outlet valve cage (28, HeavyCoat 750 /



HeavyCoat 770 only), lower packing set (4b), lower packing spring (9) and spring retainer (8).

12. Using a 1/2" extension bar attached to a 1/2" drive ratchet, insert the end of the extension bar into the square opening of the foot valve cage (17) inside the foot valve housing (23). Unscrew and remove the foot valve cage from the foot valve housing.
13. Remove the PTFE o-ring (22), foot valve ball (18), foot valve seat (19), and seat o-ring (20) from the foot valve housing (23).
14. Remove the o-ring (21) from the pump cylinder (16)

7. Clean the threads on the outlet valve housing (13) and coat the threads with blue Loctite #242. Make sure the Loctite is only on the threads.
8. Place the lower packing spring (9) onto the outlet valve housing (13) followed by the spring retainer (8).
9. Screw the displacement rod (6) and the outlet valve housing (13) together. Tighten in a vise to 50 ft./lbs. (68 Nm).
10. Insert the PTFE o-ring (3) into the upper groove of the motor/pump block.
11. Insert the upper packing set (4a) into the motor/pump block with the peak of the "V" packings pointing up toward the motor.

## REASSEMBLING THE FLUID SECTION



Use PTFE tape on all threaded pipe connections.



The packings must be soaked in hydraulic oil before installation.

1. Place a new seat o-ring (20) into the groove in the bottom of the foot valve housing (23).
2. Inspect the foot valve seat (19) for wear. If one side is worn, flip the seat to the unused side. If both sides are worn, install a new seat. Place the new or flipped seat (worn side down) into the bore at the bottom of the foot valve housing (23).
3. Place a new foot valve ball (18) onto the foot valve seat (19). Using a 1/2" extension bar attached to a 1/2" drive ratchet, insert the end of the extension bar into the square opening of the foot valve cage (17) and screw the foot valve cage into the foot valve housing (23). Torque the cage to 240 in./lbs. (20 ft./lbs.).
4. Insert a new PTFE o-ring (22) into the groove of the foot valve housing (23). Lubricate the o-ring using oil or grease.
5. After soaking the leather packings in oil (preferably linseed oil), reassemble the lower packing set (4b). Place the set onto the outlet valve housing (13) with the peak of the "V" packings pointing down toward the hex on the outlet valve housing.

12. Place the upper packing spring (5) into the motor/pump block with the small tapered end facing up toward the motor/pump block.
13. Insert the displacement rod (6) up through the upper packings in the motor/pump block.
14. Align the holes in the displacement rod (6) and the hydraulic piston rod and insert the connecting pin (2). Replace the retaining ring (1) over the connecting pin.
15. **HeavyCoat 730** - Thread the long threads of the pump cylinder (16) into the motor/pump block and tighten with a strap wrench.
16. Thread the male threads of the cylinder spacer (14) into the motor/pump block and tighten with a strap wrench. Thread the long threads of the pump cylinder (16) into the cylinder spacer (14) and tighten with a strap wrench.
17. Place the o-ring (21) onto the top groove of the pump cylinder (16).
18. Thread the foot valve housing (23) onto the pump cylinder (16), tighten with a strap wrench.
19. **HeavyCoat 730** - Install the siphon tube (26).



All leather packings must be soaked in hydraulic oil for 15–20 minutes before installation. Soaking the packings too long will cause the packings to swell and create difficulty during reassembly.



It is not necessary to over-tighten the foot valve housing. O-ring seals perform sealing function without excessive tightening. Full thread engagement is sufficient.

**HeavyCoat 730** - For siphon tube attachment, it is critically important that the threads of the siphon tube fit snugly into the foot valve housing with the tube PTFE taped and sealed to prevent air leakage.

6. Inspect the outlet valve seat (11) for wear. If one side is worn, flip the seat to the unused side. If both sides are worn, use a new seat. Insert the outlet valve cage (28, HeavyCoat 750 / 770 only) outlet valve ball (10), new or flipped seat (worn side away from ball), and a new seal washer (12) into the displacement rod (6).

## 8 TROUBLESHOOTING

### 8.1 AIRLESS GUN

#### PROBLEM

A. Spitting gun

B. Gun will not shut off

C. Gun does not spray

#### CAUSE

1. Air in system
2. Dirty gun
3. Needle assembly out of adjustment
4. Broken or chipped seat

1. Worn or broken needle & seat
2. Needle assembly out of adjustment
3. Dirty gun

1. No paint
2. Plugged filter or tip
3. Broken needle in gun

#### SOLUTION

1. Inspect connections for air leaks.
2. Disassemble and clean.
3. Inspect and adjust.
4. Inspect and replace.

1. Replace.
2. Adjust.
3. Clean.

1. Check fluid supply.
2. Clean.
3. Replace.

### 8.2 FLUID SECTION

#### PROBLEM

A. Pump delivers on upstroke only or goes up slowly and down fast (commonly called downstroke dive)

B. Pump delivers on down stroke only or goes up fast and down slowly

C. Pump moves up and down fast, delivering material

D. Pump moves up and down slowly when spray gun is shut off

E. Not enough fluid pressure at gun

F. Pump chatters on up or down stroke

#### CAUSE

1. Lower foot valve ball is not seating due to trash or wear
2. Material too viscous to siphon.

3. Air leaking in on siphon side or damaged siphon hose. Siphon may be too small for heavy material.

1. Upper ball is not seating due to trash or wear
2. Lower packing set is worn

1. Material container is empty or material is too thick to flow through siphon hose

2. Bottom ball stuck to foot valve seat
3. Siphon hose is kinked or loose

1. Loose connections. Bleed valve is open partially or bleed valve is worn. Lower packing seat is worn.

2. Upper and/or lower ball not seating

1. Spray tip is worn
2. Outlet filter or gun filter is clogged
3. Low voltage and/or inadequate amperage
4. Hose size or length is too small or too long

1. Solvent has caused upper packing to swell

#### SOLUTION

1. Remove foot valve assembly. Clean and inspect. Test foot valve by filling with water; if ball fails to seal the seat, replace ball.
2. Thin material — contact manufacturer for proper thinning procedures.
3. Tighten all connections between pump and paint container. If damaged, replace. Switch to larger diameter siphon set.

1. Check upper seat and ball with water. If ball fails to seal, replace seat.
2. Replace packing set if worn.

1. Refill with new material. If too thick, remove siphon hose, immerse fluid section in material, and start pump to prime. Add thinner to material. Change to bigger siphon set. Open bleed valve to remove air and restart pump.
2. Remove foot valve. Clean ball and seat.
3. Straighten.

1. Check all connections between pump and gun. Tighten as necessary. If material is flowing from bleed hose, close bleed valve or replace, if necessary. Should none of the above be evident, replace lower packing.
2. Reseat balls by cleaning.

1. Replace.
2. Clean or replace filter.
3. Check electrical service. Correct as required.
4. Increase hose size to minimize pressure drop through hose and/or reduce hose length.

1. Replace packing.

### 8.3 HYDRAULIC MOTORS

#### PROBLEM

- A. Hydraulic motor stalls at bottom or top of stroke; low or intermittent fluid pump pressure; unusual stroke speed; high heat of the hydraulic oil temperature (above 200°F, [93°C]).

#### CAUSE

1. Low hydraulic oil level.
2. Pressure control setting too low.
3. Hydraulic belt or pulley failure.
4. Hydraulic piston failure.
5. Bound or broken fluid section piston.
6. Hydraulic piston rod seal failure
7. Hydraulic piston head seal failure
8. Other

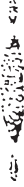
#### SOLUTION

1. Check oil level. Fill if necessary. If the oil level is full, check the controller.
2. Make sure the pressure control knob is turned up enough to cycle the motor. If the pressure control setting is okay, then check the belt and pulleys.
3. Make sure the key is present in the output shaft of the engine/electric motor and the input shaft of the hydraulic pump. Make sure the belt is not broken and has adequate tension. If belt and pulleys are okay, please contact a Wagner Authorized Service Center.
4. Visually check hydraulic piston rod for breaks. If a broken hydraulic piston rod is apparent then remove/replace hydraulic piston. Depending on where the break occurred the piston coupler may also need to be replaced. Please visit a Wagner Authorized Service Center if assistance is necessary. If hydraulic piston is okay then check for bound/broken fluid section piston
5. To check for a bound/broken fluid section piston de-couple the hydraulic piston from the paint piston by removing the dowel pin. Power up the unit. If the hydraulic motor cycles when the hydraulic piston is de-coupled from the paint piston then the problem is most likely in the fluid section. Please visit a Wagner Authorized Service Center if assistance is necessary. If the hydraulic motor still does not cycle then check the hydraulic piston rod seal.
6. Remove the hydraulic piston rod seal plug which contains the rod seal, O-ring, and rod wear ring. Check for damage and replace rod seal, O-ring, or rod wear ring if necessary. If rod seal, O-ring, and rod wear ring are okay then check the hydraulic piston head seal.
7. Remove the hydraulic piston and inspect/replace the piston head seal and piston head wear ring as needed. During this process check the cylinder bore for damage or uneven wear marks. If the cylinder bore is damaged then replace pump block along with piston head seal and piston head wear ring.
8. If problems persist please see a Wagner Certified Service Center.

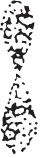
## 8.4 SPRAY PATTERNS

### PROBLEM

A. Tails



B. Hour glass



C. Distorted



D. Pattern expanding and contracting (surge)



E. Round pattern



### CAUSE

1. Inadequate fluid delivery

1. Inadequate fluid delivery

1. Plugged or worn nozzle tip

1. Suction leak  
2. Pulsating fluid delivery

1. Worn tip  
2. Fluid too heavy for tip

### SOLUTION

1. Fluid not atomizing correctly:  
Increase fluid pressure. Change to smaller tip orifice size.  
Reduce fluid viscosity. Reduce hose length. Clean gun  
and filter(s). Reduce number of guns using pump.

1. Same as above.

1. Clean or replace nozzle tip.

1. Inspect for suction hose leak.  
2. Change to a smaller tip orifice size. Install pulsation  
dampener in system or drain existing one. Reduce  
number of guns using pump. Remove restrictions in  
system; clean tip screen if filter is used.

1. Replace tip.  
2. Increase pressure. Thin material. Change nozzle tip.



**TESTING OF THE UNIT**

For safety reasons, we would recommend having the device checked by an expert as required but at least every 12 months to ensure that it can continue to operate safely.

In the case of unused devices, the check can be postponed until they are next started up.

All (potentially deviating) national inspection and maintenance regulations must also be observed.

If you have any questions, please contact the customer service team at Wagner.

**IMPORTANT INFORMATION ON PRODUCT LIABILITY**

According to an EU directive, the manufacturer is only liable without limitation for faults in the product if all parts come from the manufacturer or have been approved by the manufacturer and have been mounted to the device and are operated properly. If third-party accessories or spare parts are used, the manufacturer is exonerated wholly or partly from his/her liability if use of the third-party accessories or spare parts have caused a defect in the product. In extreme cases, the relevant authorities can completely prohibit using the entire device.

With original WAGNER accessories and spare parts, compliance with all safety regulations is guaranteed.

**NOTE ON DISPOSAL**

In observance of the European Directive 2012/19/EU on waste electrical and electronic equipment and implementation in accordance with national law, this product is not to be disposed of together with household waste material but must be recycled in an environmentally friendly way!



Wagner or one of our dealers will take back your used Wagner waste electrical or electronic equipment and will dispose of it for you in an environmentally friendly way. Please ask your local Wagner service centre or dealer for details or contact us direct.

**3 + 2 YEAR GUARANTEE ON THIS WAGNER CONTRACTOR PRODUCT**

(Status 03.03.2022)

WAGNER exclusively provides the commercial buyer who has purchased the product from an authorised specialist dealer (hereinafter referred to as the „Customer“) with a guarantee for the products listed on the Internet at <https://go.wagner-group.com/3plus2-info> in addition to the statutory warranty regulations, unless there is a guarantee exclusion.

The guarantee period for WAGNER products (devices) in the contractor's sector is 36 months and begins with the date of purchase of the initial purchase. This guarantee period is extended by a further 24 months if the product is registered within 28 days of purchase on the Internet at <https://go.wagner-group.com/3plus2>.

In cases of commercial rental, industrial use (e.g. use in shift operation) or equivalent use, the guarantee period is 12 months due to the significantly higher load. We reserve the right to carry out a check in individual cases and refuse the guarantee where necessary.

If any material, machining or performance defects are identified in the device within the guarantee period, then the guarantee claims must be made immediately and within a period of no more than 2 weeks following discovery of the defect.

The detailed guarantee conditions can be obtained on request from our authorised WAGNER partners (see website or operating instructions) or in text form on our website:

<https://go.wagner-group.com/pf-warranty-conditions>



Subject to modifications

## EU Declaration of conformity

### Gas powered units (type 558, 564, 566)

We declare under sole responsibility that this product conforms to the following relevant stipulations:

2006/42/EC, 2011/65/EU

Applied harmonised norms:

EN ISO 12100, EN 1953

The EU declaration of conformity is enclosed with the product.

If required, it can be re-ordered using order number **2383464**.

### Electrical units (type 560, 562)

We declare under sole responsibility that this product conforms to the following relevant stipulations:

2006/42/EC, 2014/30/EU, 2011/65/EU, 2012/19/EU

Applied harmonised norms:

EN ISO 12100, EN 1953, EN 60204-1, EN IEC 61000-3-2,

EN 61000-3-3, EN IEC 61000-6-1, EN 61000-6-3

The EU declaration of conformity is enclosed with the product.

If required, it can be re-ordered using order number **2383462**.

## UKCA Declaration of conformity

We declare under sole responsibility that this product (**type 560, 562, 574**) conforms to the following relevant regulations:

Supply of Machinery (Safety) Regulations 2018

Electromagnetic Compatibility Regulations 2016

The Restriction of the Use of Certain Hazardous Substances in Electrical and Electronic Equipment Regulations 2012

The Waste Electrical and Electronic Equipment Regulations 2013

Applied harmonised standards

BS EN ISO 12100, BS EN 60204-1, BS EN 1953, BS EN IEC 61000-3-2,

BS EN 61000-3-3, BS EN IEC 61000-6-1, BS EN IEC 61000-6-3

# Warnung!

**Achtung: Verletzungsgefahr durch Injektion!**  
**Airless-Geräte entwickeln extrem hohe Spritzdrücke.**

**1**

**Niemals Finger, Hände oder andere Körperteile mit dem Spritzstrahl in Berührung bringen!**

**Nie die Spritzpistole auf sich, Personen und Tiere richten.**

**Nie die Spritzpistole ohne Spritzstrahl-Berührungsschutz benutzen.**

**Behandeln Sie eine Spritzverletzung nicht als harmlose Schnittverletzung. Bei einer Hautverletzung durch Beschichtungsstoff oder Lösemittel sofort einen Arzt aufsuchen zur schnellen, fachkundigen Behandlung. Informieren Sie den Arzt über den verwendeten Beschichtungsstoff oder das Lösemittel.**

**2**

**Vor jeder Inbetriebnahme sind gemäß Betriebsanleitung folgende Punkte zu beachten:**

1. Fehlerhafte Geräte dürfen nicht benutzt werden.
2. Wagner-Spritzpistole sichern mit Sicherungshebel am Abzugsbügel.
3. Erdung sicherstellen.
4. Zulässigen Betriebsdruck von Hochdruckschlauch und Spritzpistole überprüfen.
5. Alle Verbindungsteile auf Dichtheit prüfen.

**3**

**Anweisungen zur regelmäßigen Reinigung und Wartung des Gerätes sind streng einzuhalten.**

**Vor allen Arbeiten am Gerät und bei jeder Arbeitspause folgende Regeln beachten:**

1. Spritzpistole und Hochdruckschlauch druckentlasten.
2. Wagner-Spritzpistole sichern mit Sicherungshebel am Abzugsbügel.
3. Gerät ausschalten.

# Achte auf Sicherheit!



<b>1</b>	<b>SICHERHEITSVORSCHRIFTEN FÜR DAS AIRLESS-SPRITZEN</b>	<b>34</b>	<b>8</b>	<b>FEHLERBEHEBUNG</b>	<b>56</b>
1.1	Erklärung der verwendeten Symbole	34	8.1	Airless-Spritzpistole	56
1.2	Sicherheitsrisiken	34	8.2	Flüssigkeitsbereich	56
1.3	Aufstellung in unebenem Gelände	36	8.3	Hydraulikmotor	57
1.4	Elektrische Sicherheit	36	8.4	Spritzmuster	58
1.5	Benzinmotoren-Betriebssicherheit	36	<b>9</b>	<b>ANHANG</b>	<b>59</b>
1.6	Betanken (Benzinmotor)	37	9.1	Düsenauswahl	59
<b>2</b>	<b>ANWENDUNGSÜBERSICHT</b>	<b>38</b>	9.2	Wartung und Reinigung von Airless-Hartmetall-Düsen	59
2.1	Einsatzgebiete	38	<b>PRÜFUNG DES GERÄTES</b>	<b>60</b>	
2.2	Beschichtungsstoffe	38	<b>WICHTIGER HINWEIS ZUR PRODUKTHAFTUNG</b>	<b>60</b>	
<b>3</b>	<b>GERÄTEBESCHREIBUNG</b>	<b>39</b>	<b>3+2 JAHRE GARANTIE PROFESSIONAL FINISHING</b>	<b>60</b>	
3.1	Erklärungsbild HeavyCoat-Geräte mit Benzinmotor	39	<b>EU KONFORMITÄTSERKLÄRUNG</b>	<b>61</b>	
3.2	Erklärungsbild HeavyCoat-Geräte mit Elektromotor	40	<b>ZUBEHÖR FÜR HC-GERÄTE I</b>	<b>91</b>	
3.3	Technische Daten HeavyCoat-Geräte	41	<b>ZUBEHÖR FÜR HC-GERÄTE II</b>	<b>92</b>	
3.4	Transport	42	<b>ERSATZTEILE</b>	<b>94</b>	
3.5	Krantransport	42	Ersatzteilliste Hauptbaugruppe	94	
<b>4</b>	<b>BEDIENUNG</b>	<b>42</b>	Ersatzteilliste Wagen	96	
4.1	Einrichtung	42	Ersatzteilliste Schöpfkolben HeavyCoat 750 SSP	97	
4.2	Start des Benzinmotors (Benzinmodelle)	44	Ersatzteilliste Flüssigkeitsbereich HC 730 / 750	98	
4.3	Vorbereitung eines neuen Spritzgeräts	44	Ersatzteilliste Flüssigkeitsbereich HC 750 / 770	100	
4.4	Vorbereitung der Farbe	45	Ersatzteilliste Hochdruckfilter	102	
4.5	Farbgebung	46	<b>WAGNER-SERVICENETZ</b>	<b>104</b>	
4.6	Vorgehensweise bei Druckentlastung	46			
<b>5</b>	<b>SPRITZTECHNIK</b>	<b>47</b>			
5.1	Eine verstopfte Düse reinigen	47			
5.2	Arbeitsunterbrechung	48			
5.3	Handhabung des Hochdruck-schlauches	48			
<b>6</b>	<b>REINIGUNG</b>	<b>49</b>			
6.1	Besondere Reinigungshinweise bei Verwendung entflammbarer Lösungsmittel	49			
6.2	Reinigung des Spritzgeräts	49			
6.3	Gerätereinigung von außen	49			
6.4	Den Steinfänger reinigen/Ansaugfilter	50			
6.5	Reinigung der Airless-Spritzpistole	50			
<b>7</b>	<b>UNTERHALT</b>	<b>51</b>			
7.1	Tägliche Wartung	51			
7.2	Die oberen Dichtungen einfetten	51			
7.3	Unterhalt des Filteraufbaus	51			
7.4	Unterhalt des hydraulischen Systems	52			
7.5	Unterhalt des Flüssigkeitsbereichs	53			
7.6	Hochdruckschlauch	53			
7.7	Einfache Wartung des Motors (Benzinmotor)	53			
7.8	Unterhalt des Flüssigkeitsbereiches	54			

# 1 SICHERHEITSVORSCHRIFTEN FÜR DAS AIRLESS-SPRITZEN

## 1.1 ERKLÄRUNG DER VERWENDETEN SYMBOLE

Diese Bedienanleitung enthält Informationen, die der Benutzer vor Verwendung des Geräts gründlich durchlesen muss. Abschnitte, die mit den folgenden Symbolen gekennzeichnet sind, besonders beachten und alle Sicherheitshinweise einhalten.



→ Dieses Symbol verweist auf eine potenzielle Gefahr, die zum Tode oder zu schweren Verletzungen führen kann. Hier finden Sie wichtige Sicherheitsinformationen.



→ Dieses Symbol weist auf eine potenzielle Gefahr für Sie bzw. das Gerät hin. Unter diesem Symbol finden Sie wichtige Informationen, wie Sie Schäden an dem Gerät und Verletzungsgefahr vermeiden.



→ Injektionsgefahr



→ Brandgefahr durch Lösemittel und Farbdämpfe



→ Explosionsgefahr durch Lösemittel, Farbdämpfe und ungeeignete Materialien



→ Verletzungsgefahr durch das Einatmen von schädlichen Dämpfen



→ Verletzungsgefahr durch Stromschlag



→ Hinweise enthalten wichtige Informationen, die beachtet werden sollten.

## 1.2 SICHERHEITSRISIKEN



### GEFAHR: VERLETZUNG DURCH FLÜSSIGKEITEN UNTER DRUCK

Eine unter hohem Druck stehende Flüssigkeit, wie sie von diesem Gerät erzeugt wird, kann die Haut durchdringen und in das darunter liegende Bindegewebe eindringen und so zu schweren Verletzungen und selbst zur Amputation führen.

Behandeln Sie eine Spritzverletzung nicht als harmlose Schnittverletzung. Bei einer Hautverletzung durch Beschichtungsmittel oder Lösemittel sofort einen Arzt aufsuchen zur schnellen, fachkundigen Behandlung. Informieren Sie den Arzt über den verwendeten Beschichtungsmittel oder das Lösemittel.

### VORSICHTSMASSNAHMEN:

- NIEMALS die Spritzpistole auf Körperteile halten.
- NIEMALS mit Körperteilen den Flüssigkeitsstrahl berühren. NIEMALS mit dem Körper eine Leckstelle im Druckschlauch berühren.
- NIEMALS die Hand vor die Düse der Spritzpistole halten. Handschuhe stellen keinen sicheren Schutz vor Verletzungen durch injizierte Flüssigkeiten dar.
- STETS den Auslöser der Spritzpistole verriegeln, die Pumpe ausschalten und den Druck vollständig entspannen, bevor Wartungs- und Reinigungsarbeiten, Durchsichten, Düsenwechsel oder ähnliche Arbeiten durchgeführt werden oder das Gerät unbeaufsichtigt gelassen wird. Auch nach dem Ausschalten des Motors steht das Gerät noch unter Druck. Das Ventil PRIME/SPRAY (Vorfüll-/Sprühventil) bzw. das Druckentlastungsventil müssen in ihren Sollpositionen stehen, um den Systemdruck zu entspannen.
- STETS den Düsenschutz aufsetzen, wenn Spritzarbeiten durchgeführt werden. Der Düsenschutz stellt einen gewissen Schutz dar, ist aber vor allem als Warnvorrichtung gedacht.
- STETS die Spritzdüse entfernen, bevor das System gereinigt oder gespült wird.
- NIEMALS eine Spritzpistole ohne funktionsfähige Auslöserverriegelung und ohne Auslöserbügel verwenden.
- Das gesamte Zubehör muss mindestens für den maximalen Betriebsdruckbereich des Spritzgeräts zugelassen sein. Dazu gehören Spritzdüsen, Spritzpistolen, Verlängerungen und Schlauch.



### GEFAHR: HOCHDRUCKSCHLAUCH

Durch Verschleiß, Knicken und nicht zweckentsprechende Verwendung können sich Leckstellen im Farbschlauch bilden. Durch eine Leckstelle kann Flüssigkeit in die Haut injiziert werden. Vor Verwendung den Schlauch gründlich prüfen.

#### VORSICHTSMASSNAHMEN:

- Scharfes Biegen oder Knicken des Hochdruckschlauches vermeiden, kleinster Biegeradius etwa 20 cm.
- Hochdruckschlauch nicht überfahren, sowie vor scharfen Gegenständen und Kanten schützen.
- Beschädigten Hochdruckschlauch sofort ersetzen.
- Niemals defekten Hochdruckschlauch selbst reparieren!
- Elektrostatische Aufladung von Spritzpistole und Hochdruckschlauch wird über den Hochdruckschlauch abgeleitet. Deshalb muss der elektrische Widerstand zwischen den Anschlüssen des Hochdruckschlauchs gleich oder kleiner ein Megaohm betragen.
- Aus Gründen der Funktion, Sicherheit und Lebensdauer, nur Wagner-Original-Ersatzhochdruckschläuche verwenden.
- Vor jedem Einsatz alle Schläuche auf Einschnitte, Leckstellen, Scheuerstellen oder gewölbte Oberflächen kontrollieren. Die Kupplungen auf Unversehrtheit und festen Sitz kontrollieren. Schläuche unverzüglich ersetzen, wenn einer der oben genannten Fehler festgestellt wird. Einen Farbschlauch niemals reparieren. Einen defekten Schlauch durch einen geerdeten Hochdruckschlauch ersetzen.
- Achten Sie darauf, Spritzschläuche so zu verlegen, dass die Rutsch-, Stolper-, und Unfallgefahr minimiert wird.



### GEFAHR: EXPLOSIONS- UND BRANDGEFAHR

Brennbare Dämpfe, wie z. B. Dämpfe von Lösungsmitteln und Farben können sich in den Arbeitsbereichen entzünden oder explodieren.



#### VORSICHTSMASSNAHMEN:

- Verwenden Sie das Gerät ausschließlich in gut belüfteten Bereichen. Achten Sie auf ausreichende Frischluftzufuhr im gesamten Bereich, damit sich keine brennbaren Dämpfe in der Luft im Spritzbereich ansammeln können. Bewahren Sie die Pumpenbaugruppe in einem gut belüfteten Bereich auf. Besprühen Sie nicht die Pumpenbaugruppe.

- Nur elektronische Modelle - Verwenden Sie keine Materialien mit einem Flammpunkt unter 21°C Der Flammpunkt ist die Temperatur, bei der eine Flüssigkeit ausreichend Dämpfe entwickeln kann, dass sich diese entzünden.
- Nur Modelle mit Benzin - Befüllen Sie den Treibstofftank nicht, wenn der Motor läuft oder heiß ist; schalten Sie den Motor ab und lassen diesen abkühlen. Der Treibstoff ist brennbar und kann sich entzünden bzw. explodieren, wenn dieser mit einer heißen Oberfläche in Berührung kommt.
- Beseitigen Sie alle Zündquellen, wie z. B. Zündflammen, Zigaretten, tragbare elektrische Lampen und Plastikabdeckplanen (potenzieller elektrostatischer Lichtbogen).
- Halten Sie die Arbeitsbereiche frei von Verunreinigungen, einschließlich Lösungsmittel, Lappen und Benzin.
- Schließen Sie die Elektrozuleitungen nicht bzw. trennen diese nicht ab bzw. schalten Sie die Netzschalter bzw. Lichtschalter nicht ein bzw. aus, wenn sich brennbare Dämpfe entwickelt haben.
- Schutzleiter und leitfähige Gegenstände im Arbeitsbereich. Achten Sie darauf, dass die Erdleitung (in der Lieferung nicht enthalten) von der Erdungsklemme mit einem wirksamen Erdungsanschluss verbunden ist.
- Verwenden Sie ausschließlich geerdete Schläuche.
- Halten Sie die Spritzpistole fest an die Seite eines geerdeten Eimers, wenn Sie in den Eimer spritzen.
- Kommt es durch statische Aufladung zu Funkenbildung bzw. wenn Sie einen Stromschlag verspüren, brechen Sie den Vorgang umgehend ab.
- Sie müssen die Zusammensetzung der Farben und Lösungsmittel, die Sie spritzen möchten, kennen. Lesen Sie alle Materialsicherheitsdatenblätter (MSDS) und Behälterbeschriftungen von Farben und Lösungsmitteln durch. Befolgen Sie die Sicherheitsanweisungen des Farben- und Lösungsmittelherstellers.
- Verwenden Sie keine Farben bzw. Lösungsmittel, die Halogenkohlenwasserstoffe enthalten, wie z. B. Chlor, Bleiche, Antischimmelmittel, Methylenchlorid und Trichlorethan. Sie sind nicht kompatibel mit Aluminium. Setzen Sie sich mit dem Lieferanten der Beschichtung hinsichtlich der Kompatibilität des Materials mit Aluminium in Verbindung.
- Halten Sie im Arbeitsbereich einen Feuerlöscher bereit.



### GEFAHR: GEFÄHRLICHE DÄMPFE

Farben, Lösungsmittel und andere Materialien können beim Einatmen oder beim Kontakt mit dem Körper gesundheitsschädlich sein. Die Dämpfe können schwere Übelkeit, Ohnmacht und Vergiftungen verursachen.

#### VORSICHTSMASSNAHMEN :

- Bei Spritzarbeiten Atemschutz tragen. Alle mit der Gesichtsmaske mitgelieferten Anleitungen durcharbeiten, damit die Gesichtsmaske auch den gewünschten Schutz bietet.
- Dem Benutzer ist eine Atemschutzmaske zur Verfügung zu stellen (Berufs-Genossenschaftliche Regeln „Regeln für den Einsatz von Atemschutzgeräten“ (BGR 190).
- Arbeitsschutzbrille tragen.
- Zum Schutz der Haut sind Schutzkleidung, Handschuhe und eventuell Hautschutzcreme erforderlich (BGR 197 "Benutzung von Hautschutz"). Vorschriften der Hersteller beachten zu den Beschichtungsstoffen, Lösemittel und Reinigungsmittel bei Aufbereitung, Verarbeitung und Gerätereinigung.



### GEFAHR: ALLGEMEINES

Kann schwere Personen- oder Sachschäden verursachen.

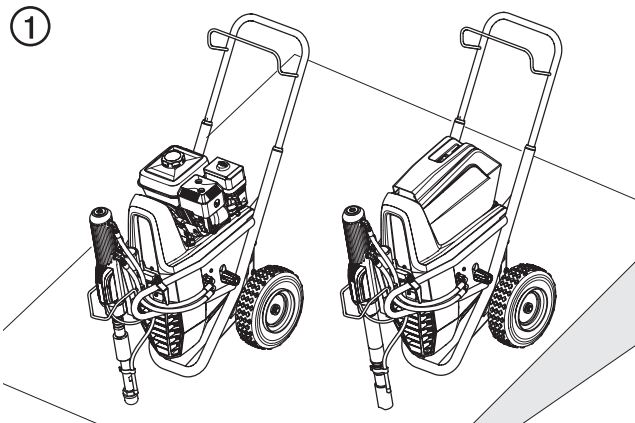
#### VORSICHTSMASSNAHMEN :

- Alle lokalen sowie im Land bzw. Bundesland geltenden Vorschriften zum Brandschutz, zur Bedienung und Lüftung einhalten.
- Bei Betätigung des Auslösers zieht die Spritzpistole zur Seite. Diese Kraftwirkung der Spritzpistole ist besonders stark, wenn die Düse entfernt und bei der Pumpe hoher Druck eingestellt wurde. Bei der Reinigung mit abgeschraubter Düse daher den Druckreglerknopf auf den niedrigsten Druck einstellen.
- Nur vom Hersteller zugelassene Teile verwenden. Bei Verwendung von Teilen, die nicht die technischen Mindestanforderungen erfüllen, trägt der Benutzer alle Risiken und die gesamte Haftung. Dies gilt auch für die Sicherheitsvorrichtungen der Pumpe.
- IMMER die Hinweise des Herstellers zum sicheren Umgang mit Farben und Lösungsmitteln einhalten.
- Verschüttete Materialien und Lösemitteln sofort abwischen, um Rutschgefahr zu vermeiden.
- Gehörschutz tragen. Dieses Gerät kann einen Schalldruck über 85 dB(A) erzeugen.
- Das Gerät niemals unbeaufsichtigt lassen. Kinder oder andere Personen, die mit dem Betrieb des druckluftlosen Spritzgeräts nicht vertraut sind, von dem Gerät fern halten.
- An windigen Tagen nicht im Freien spritzen.
- Das Gerät inklusive aller Flüssigkeiten (z.B. Hydrauliköl) müssen umweltgerecht entsorgt werden.

### 1.3 AUFSTELLUNG IN UNEBENEM GELÄNDE

Die Vorderseite muss nach unten zeigen, um ein Wegrutschen zu vermeiden.

Auf schrägen Untergründen ist das Gerät nicht zu betreiben, da es durch Vibrationen zum Wandern neigt.



### 1.4 ELEKTRISCHE SICHERHEIT

Elektrogeräte müssen geerdet werden. Bei einem elektrischen Kurzschluss reduziert die Erdung die Gefahr eines elektrischen Schlages, da der Fehlerstrom über den Schutzleiter abgeführt wird. Dieses Gerät ist mit einem Netzkabel versehen, das einen Schutzkontaktstecker besitzt. Anschluss an das Stromnetz nur über einen besonderen Speisepunkt z. B. über eine Fehlerstromschutzeinrichtung mit  $INF \leq 30 \text{ mA}$ .



GEFAHR — Arbeiten oder Reparaturen an der elektrischen Ausrüstung nur von einer Elektrofachkraft durchführen lassen. Für unsachgemäße Installation wird keine Haftung übernommen. Gerät ausschalten. Vor allen Reparaturen – Netzstecker aus der Steckdose ziehen.




Gerätereinigung: Kurzschlussgefahr durch eindringendes Wasser in die elektrische Ausrüstung. Gerät niemals mit Hochdruck- oder Dampfhochdruckreiniger abspritzen.

### 1.5 BENZINMOTOREN-BETRIEBSSICHERHEIT

1. Benzinmotoren sind so gebaut, dass sie sicher und verlässlich funktionieren, wenn sie gemäß der Instruktionen bedient werden. Vor der Bedienung des Motos muss das Besitzerhandbuch des Herstellers gelesen und verstanden werden. Bei Unterlassung kann Personenverletzung oder Materialschaden entstehen.
2. Um Feuergefahr zu vermeiden und genügend Ventilation zu erlauben, muss der Motor mindestens 1 Meter von Gebäuden und anderen Maschinen entfernt sein wenn er in Betrieb ist. Keine brennbaren Gegenstände in der Nähe des Motors aufbewahren.
3. Personen, die das Gerät nicht bedienen, dürfen den Betriebsbereich nicht betreten, da die Möglichkeit besteht Verbrennungen von heißen Motorenteilen oder

Verletzungen durch Geräte, die zur Bedienung des Motors benutzt werden, zu erleiden.


4. Seien Sie vertraut damit, wie Sie den Motor schnell abstellen können und wissen Sie Bescheid über alle Bedienungselemente und deren Handhabung. Erlauben Sie niemandem, den Motor ohne sachgerechte Anleitung zu bedienen.
5. Benzin ist äusserst flammbar und unter bestimmten Bedingungen explosiv.
6. Füllen Sie Benzin nur in einem gut durchlüfteten Bereich nach, nachdem der Motor abgestellt wurde. Rauchen Sie nicht und erlauben Sie keine Flammen oder Funken im Bereich in welchem aufgetankt wird oder Benzin aufbewahrt wird.
7. Überfüllen Sie den Benzintank nicht. Nach dem Auftanken, vergewissern Sie sich, dass die Tankverschlusskappe richtig und sicher aufgeschraubt ist.
8. Seien Sie darauf bedacht, beim Auftanken kein Benzin zu verschütten. Benzindämpfe oder verschüttetes Benzin könnte sich entflammen. Falls Benzin verschüttet wurde, vergewissern Sie sich, dass der Bereich trocken ist, bevor Sie den Motor starten.
9. Lassen Sie den Motor nie in einem geschlossenen oder engen Bereich laufen. Abgase enthalten giftige Kohlenmonoxidgase; diesen ausgesetzt läuft man Gefahr das Bewusstsein zu verlieren und es kann sogar zum Tod führen.
10. Der Auspuff wird während beiläufigem Motor sehr heiß und bleibt nach Abstellen des Motors noch für eine Weile heiß. Seien Sie darauf Bedacht, den Auspuff nicht zu berühren, solange er noch heiß ist. Um schwere Verbrennungen oder Feuergefahr zu vermeiden, lassen Sie den Motor abkühlen, bevor Sie ihn transportieren oder in einem Innenraum aufbewahren.
11. Verschiffen oder transportieren Sie die Sprühanlage niemals mit Benzin im Tank.


	<p>Wechseln Sie die Treibstoffmarke, wenn das "Klopfen" oder "Motorklopfen" bei einer stetigen Motorgeschwindigkeit unter normaler Belastung auftritt. Bleibt das Klopfen bzw. Motorklopfen, setzen Sie sich mit einem autorisierten Händler des Motorherstellers in Verbindung. Bei Nichteinhaltung gilt dies als Fehlgebrauch und Schäden durch Fehlgebrauch sind nicht durch die Herstellergarantie gedeckt.</p> <p>Gelegentlich entsteht ein leichtes Klopfen, wenn das Gerät stark belastet wird. Das ist kein Grund zur Beunruhigung. Dies bedeutet nur, dass der Motor effizient funktioniert.</p>
-----------------------------------------------------------------------------------	-----------------------------------------------------------------------------------------------------------------------------------------------------------------------------------------------------------------------------------------------------------------------------------------------------------------------------------------------------------------------------------------------------------------------------------------------------------------------------------------------------------------------------------------------------------------------------------------------------------

- Bleifreier Treibstoff verursacht weniger Ablagerungen im Motor und in den Zündkerzen und verlängert die Lebensdauer der Komponenten des Abgassystems.
- Verwenden Sie niemals abgestandenes oder verschmutztes Benzin und/oder ein Öl-/Benzingemisch. Vermeiden Sie, dass Schmutz, Staub oder Wasser in den Treibstofftank gelangen.


**KRAFTSTOFF AUS BENZIN-ALKOHOL-GEMISCH**

Die Oktanzahl muss mindestens der Vorgabe des Motorenherstellers entsprechen. Verwenden Sie kein Gasohol, das mehr als 10 % Ethanol enthält. Verwenden Sie kein Benzin, das Methanol enthält.

	<p>Eine Beschädigung des Treibstoffsystems bzw. Probleme mit der Motorenleistung, die aus der Verwendung von Treibstoff resultieren, der Alkohol enthält, werden von der Gewährleistung nicht gedeckt.</p>
-------------------------------------------------------------------------------------	------------------------------------------------------------------------------------------------------------------------------------------------------------------------------------------------------------

	<p>Benutzen Sie diese Anlage NICHT um Wasser oder Säuren zu spritzen.</p>
-------------------------------------------------------------------------------------	---------------------------------------------------------------------------

**1.6 BETANKEN (BENZINMOTOR)**

	<p>Benzin ist äußerst entflammbar und unter bestimmten Bedingungen sogar explosiv.</p>
-------------------------------------------------------------------------------------	----------------------------------------------------------------------------------------

**TECHNISCHE ANGABEN ZUM TREIBSTOFF**

- Verwenden Sie Benzin mit einer Mindest-Oktanzahl von 86 oder mit einer Mindest-Research-Oktanzahl von 91. Die Verwendung eines Treibstoffes mit einer geringeren Oktanzahl kann zu ständigem "Motorklopfen" oder starkem "Klopfen" (ein metallisches klopfendes Geräusch) führen, das zu einem Motorschaden führen kann, wenn dieser zu stark ist.

## 2 ANWENDUNGSÜBERSICHT

### 2.1 EINSATZGEBIETE

Hauptanwendungsgebiete sind dicke Schichten von höherviskosem Beschichtungsstoff bei großen Flächen und hohem Materialeinsatz.

Grundierung und Schlussbeschichtung von Großflächen, Versiegelung, Imprägnierung, Bausanierung, Fassadenschutz und Fassadenrenovierung, Rostschutz und Bautenschutz, Dachbeschichtung, Dachabdichtung, Betonsanierung, sowie schwerer Korrosionsschutz.

#### SPRITZOBJEKT-BEISPIELE

Großbaustellen, Tiefbau, Kühltürme, Brücken, Kläranlagen und Flachdächer.

#### BETRIEBSTEMPERATUR

Dieses Gerät funktioniert einwandfrei bei einer Raumtemperatur zwischen +10°C und +40°C.

#### RELATIVE FEUCHTIGKEIT

Das Gerät funktioniert in einem Umfeld mit einer relativen Feuchtigkeit von 50%, bei +40°C einwandfrei. Eine höhere relative Feuchtigkeit stellt bei niedrigeren Temperaturen kein Problem dar.

Der Käufer des Geräts muss Maßnahmen ergreifen, um die schädigenden Auswirkungen der gelegentlichen Kondensation zu vermeiden.

#### HÖHE

Dieses Gerät funktioniert in einer Höhe von bis zu 2100m über n.n. einwandfrei.

#### TRANSPORT UND AUFBEWAHRUNG

Dieses Gerät hält Transport- bzw. Aufbewahrungstemperaturen von -25°C bis + 55°C, kurzzeitig auch bis zu +70°C, stand bzw. ist dagegen geschützt.

Es wurde so verpackt, dass es Beschädigungen durch die Auswirkungen von normaler Feuchtigkeit, Erschütterungen und Stößen standhält.

#### EMPFOHLENE SCHLAUCHKONFIGURATION



Aus Gründen der Funktion, Sicherheit und Lebensdauer nur Wagner Original-Hochdruckschläuche verwenden.

### 2.2 BESCHICHTUNGSSTOFFE

#### VERARBEITBARE BESCHICHTUNGSSTOFFE

Wasserverdünnbare und lösemittelhaltige Lacke und Lackfarben, Zweikomponenten Beschichtungsstoffe, Dispersionen, Latexfarben.

Die Verarbeitung anderer Beschichtungsstoffe sollte nur nach Rückfrage bei der Firma Wagner erfolgen, da die Haltbarkeit und auch die Sicherheit des Gerätes dadurch beeinträchtigt werden können.



Achten Sie auf Airless-Qualität bei den zu verarbeitenden Beschichtungsstoffen.

#### VISKOSITÄT

Das Gerät ist in der Lage Beschichtungsstoffe mit einer Viskosität bis zu 50.000 / 65.000 mPas zu verarbeiten. Lässt die Spritzleistung bei hochviskosen Beschichtungsstoffen zu stark nach, so ist nach Herstellerangabe zu verdünnen.

Beschichtungsstoff vor Arbeitsbeginn gut umrühren.



Achtung: Beim Aufrühren mit motorgetriebenen Rührwerken darauf achten, dass keine Luftblasen eingerührt werden. Luftblasen stören beim Spritzen, können sogar zur Betriebsunterbrechung führen.

#### BESCHICHTUNGSSTOFFE MIT SCHARFKANTIGEN ZUSATZSTOFFEN

Diese Partikel üben auf Ventile und Düse, aber auch auf die Spritzpistole eine stark verschleißende Wirkung aus. Die Lebensdauer dieser Verschleißteile wird dadurch erheblich beeinträchtigt.

#### ZWEIKOMPONENTEN-BESCHICHTUNGSSTOFF

Die entsprechende Verarbeitungszeit ist genau einzuhalten. Innerhalb dieser Zeit das Gerät sorgfältig mit dem entsprechenden Reinigungsmittel durchspülen und reinigen.



#### FILTERUNG

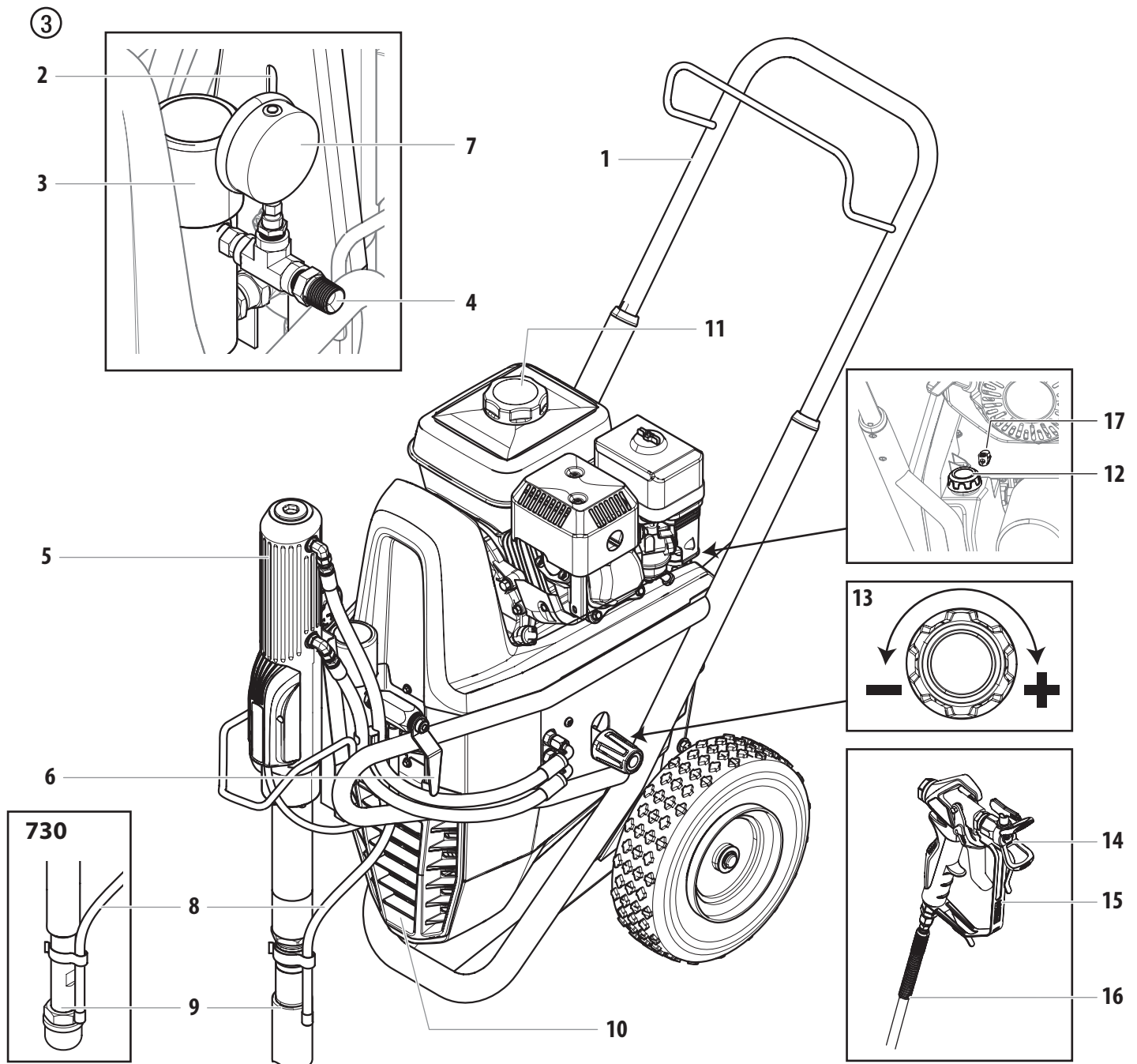
Für einen störungsfreien Betrieb ist eine ausreichende Filterung erforderlich. Das System ist mit einem Saugfilter, einem Einschubfilter in der/den Spritzpistole(n) und einem Hochdruckfilter am System ausgestattet. Eine regelmäßige Kontrolle dieser Filter auf Beschädigung oder Verschmutzung ist dringend zu empfehlen.

Beim Gebrauch dieses Spritzgerätes mit Spritzpachtel ist es wichtig, dass der Filter im inneren der Spritzpistole zuerst entfernt wird. Siehe Abschnitt 6.5.



### 3 GERÄTEBESCHREIBUNG

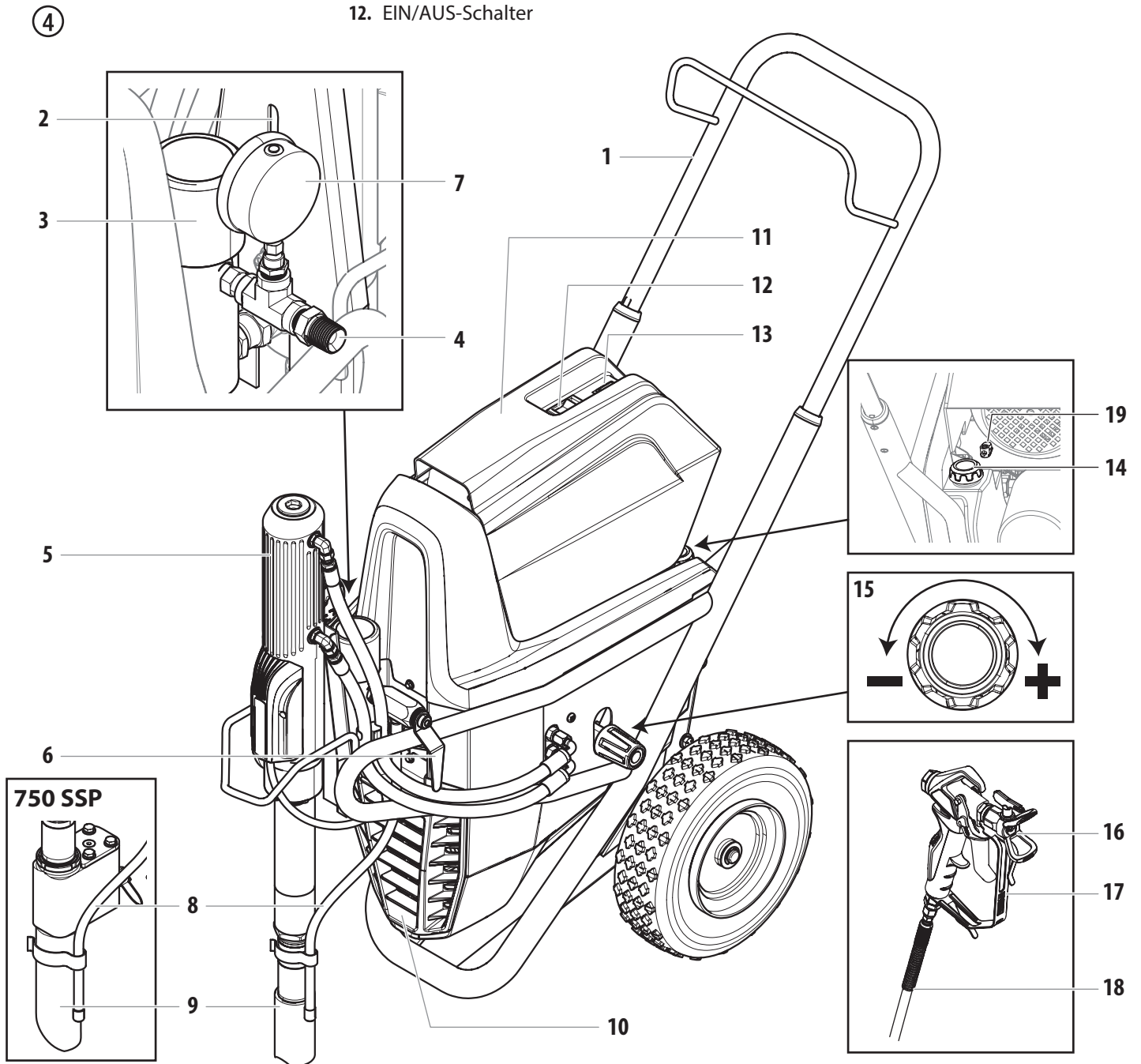
#### 3.1 ERKLÄRUNGSBILD HEAVYCOAT-GERÄTE MIT BENZINMOTOR

- |                                                                                         |                                                                                                                 |                                  |
|-----------------------------------------------------------------------------------------|-----------------------------------------------------------------------------------------------------------------|----------------------------------|
| 1. Deichsel ausziehbar                                                                  | 6. Entlastungsventilhandgriff                                                                                   | 11. Benzinmotor                  |
| 2. Einfüllöffnung für Trennöl<br>(Trennöl verhindert erhöhten Verschleiß der Packungen) | Nach links drehen Zirkulation  | 12. Ölmesstab                    |
| 3. Hochdruckfilter                                                                      | Nach rechts drehen Spritzen    | 13. Druckregler                  |
| 4. Hochdruckschlauchanschluss                                                           | 7. Manometer                                                                                                    | 14. Düsenhalter mit Airless Düse |
| 5. Hydraulikmotor                                                                       | 8. Rücklaufschlauch                                                                                             | 15. Spritzpistole                |
|                                                                                         | 9. Ansaugrohr                                                                                                   | 16. Hochdruckschlauch            |
|                                                                                         | 10. Keilriemen unter der Riemenabdeckung                                                                        | 17. Erdungsschiene Anschluss     |



## 3.2 ERKLÄRUNGSBILD HEAVYCOAT-GERÄTE MIT ELEKTROMOTOR

- |                                                                                      |                                                                                                                 |                                                   |
|--------------------------------------------------------------------------------------|-----------------------------------------------------------------------------------------------------------------|---------------------------------------------------|
| 1. Deichsel ausziehbar                                                               | 6. Entlastungsventilhandgriff                                                                                   | 13. Kontrollleuchte zeigt Betriebsbereitschaft an |
| 2. Einfüllöffnung für Trennöl (Trennöl verhindert erhöhten Verschleiß der Packungen) | Nach links drehen Zirkulation  | 14. Ölmesstab                                     |
| 3. Hochdruckfilter                                                                   | Nach rechts drehen Spritzen    | 15. Druckregler                                   |
| 4. Hochdruckschlauchanschluss                                                        | 7. Manometer                                                                                                    | 16. Düsenhalter mit Airless Düse                  |
| 5. Hydraulikmotor                                                                    | 8. Rücklaufschlauch                                                                                             | 17. Spritzpistole                                 |
|                                                                                      | 9. Ansaugrohr                                                                                                   | 18. Hochdruckschlauch                             |
|                                                                                      | 10. Keilriemen unter der Riemenabdeckung                                                                        | 19. Erdungsschiene Anschluss                      |
|                                                                                      | 11. Elektromotor                                                                                                |                                                   |
|                                                                                      | 12. EIN/AUS-Schalter                                                                                            |                                                   |





## 3.3 TECHNISCHE DATEN

	HeavyCoat 730 (gas)	HeavyCoat 750 (110V) HeavyCoat 750 (230V)	HeavyCoat 750 SSP (230V)	HeavyCoat 750 (gas)	HeavyCoat 770 (gas)
<b>Benzinmotor, Leistung</b>					
Honda	163cc, 4,9 PS, 3,6 kW	-----	-----	196cc, 5,6 PS, 4,1 kW	270cc, 8,4 PS, 6,2 kW
<b>Tankinhalt</b>					
	3,1 l	-----	-----	3,1 l	6,06 l
<b>Spannung</b>					
110V	-----	~ 110V, 50/60 Hz	-----	-----	-----
230V	-----	~ 230V, 50/60 Hz	~ 230V, 50/60 Hz	-----	-----
<b>Aufnahmeleistung</b>					
	-----	3,1 kW	3,1 kW	-----	-----
<b>Geräteanschlussleitung</b>					
	-----	3 x 2,5 mm <sup>2</sup> – 6 m	3 x 2,5 mm <sup>2</sup> – 6 m	-----	-----
<b>Absicherung</b>					
	-----	15 A	15 A	-----	-----
<b>max. Betriebsdruck</b>					
	25 MPa (250 bar)	25 MPa (250 bar)	25 MPa (250 bar)	25 MPa (250 bar)	25 MPa (250 bar)
<b>max. Schalldruckpegel:</b>					
	92 dB (A)*	80 dB (A)*	80 dB (A)*	92 dB (A)*	98 dB (A)*
<b>max. Düsengröße mit einer Spritzpistole</b>					
1-Spritzpistole	0,041" – 1,04 mm	0,043" – 1,09 mm	0,043" – 1,09 mm	0,047" – 1,19 mm	0,055" – 1,40 mm
2-Spritzpistole	0,029" – 0,73 mm	0,031" – 0,79 mm	0,031" – 0,79 mm	0,033" – 0,84 mm	0,039" – 0,99 mm
3-Spritzpistole	0,021" – 0,53 mm	0,023" – 0,58 mm	0,023" – 0,58 mm	0,027" – 0,68 mm	0,031" – 0,79 mm
4-Spritzpistole	0,019" – 0,48 mm	0,021" – 0,53 mm	0,021" – 0,53 mm	0,023" – 0,58 mm	0,027" – 0,68 mm
<b>max. Volumenstrom</b>					
	6,00 l/min	6,00 l/min	6,00 l/min	7,60 l/min	11,4 l/min
<b>Gewicht</b>					
	78 kg	85 kg	87 kg	81 kg	90 kg
<b>Ansaugsystem</b>					
	Standard	Tauchfähig	Schöpfkolben	Tauchfähig	Tauchfähig
<b>max. Viskosität</b>					
	50.000 mPa·s			65.000 mPa·s	
<b>Abmessungen L x H x B</b>					
	1090 x 660 x 866 mm				
<b>max. Temperatur des Beschichtungsstoffs</b>					
<b>Filtereinsatz (Standardausführung)</b>					
	Filterfeinheit 50, 18 in <sup>2</sup>	Filterfeinheit 0, 18 in <sup>2</sup>	Filterfeinheit 0, 18 in <sup>2</sup>	Filterfeinheit 50, 18 in <sup>2</sup>	Filterfeinheit 5, 18 in <sup>2</sup>
<b>Hydrauliköl-Füllmenge</b>					
	5,9 l				
<b>max. Reifendruck</b>					
	0,2 MPa (2 bar)				
<b>Empfohlene Schlauchkonfiguration</b>					
	DN 12 mm, 15 m, Anschlussgewinde NPSM 1/2, DN 6 mm, 60 m, Anschlussgewinde NPSM 1/4				

\* Messort: Abstand 1 m seitlich vom Gerät und 1,60 m über schallhartem Boden, 12 MPa (120 bar) Betriebsdruck.

### 3.4 TRANSPORT



Beim Auf- oder Abladen, nicht an der Deichsel halten.

Gerät ist sehr schwer. Muss von drei Personen getragen werden.

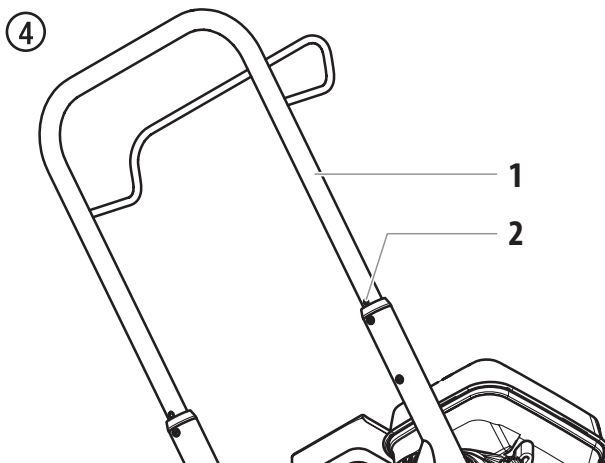
#### TRANSPORT IM FAHRZEUG

Gerät mit geeignetem Befestigungsmittel sichern.

#### GERÄT SCHIEBEN ODER ZIEHEN

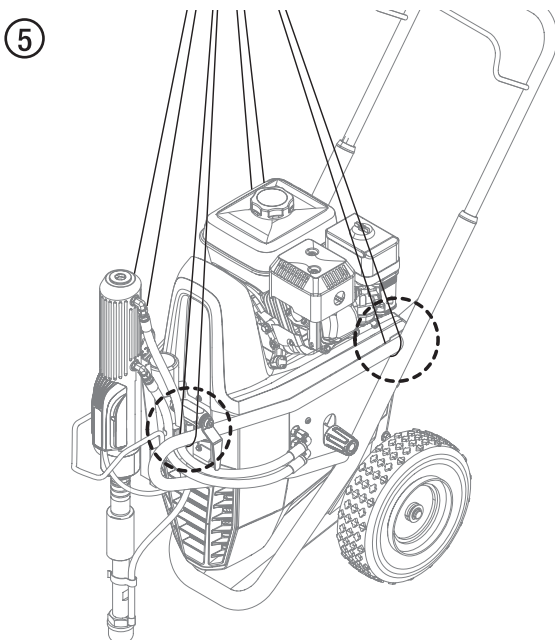
Deichsel (Abb. 4, Pos. 1) bis zum Anschlag herausziehen.

Deichsel einfahren – Druckknöpfe (2) an den Holmen eindrücken, dann Deichsel einfahren.



### 3.5 KRANTRANSPORT

Anhängpunkte für die Bänder oder Seile, siehe Abbildung 5.



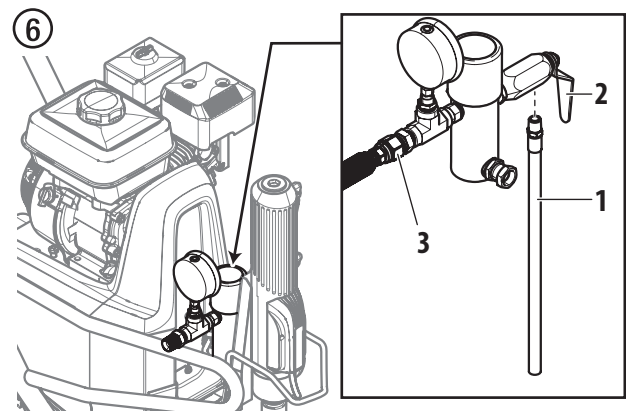
## 4 BEDIENUNG



Dieses Gerät erzeugt einen Flüssigkeitsstrom mit extrem hohem Druck. Lesen und verstehen Sie die Sicherheitshinweise am Anfang dieses Handbuchs, bevor Sie dieses Gerät benutzen.

### 4.1 EINRICHTUNG

1. Achten Sie darauf, dass der Rücklaufschlauch (Abb. 6, Pos. 1) in das Entlüftungsventil (2) geschraubt ist. Es verfügt über ein werkseitig installiertes PTFE-Band am Beschlag und muss mit einem Schraubenschlüssel festgezogen werden.
2. Schließen Sie einen mindestens 15 m langen Airless Hochdruckschlauch aus Nylon an das Spritzgerät an. Verwenden Sie kein PTFE-Kleband bzw. Gewindedichtungsmittel am Hochdruckschlauchanschluss.

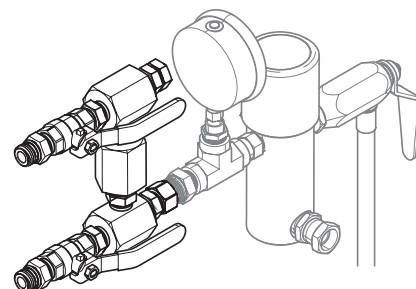


3. Schließen Sie eine Airless Hochdruck-Spritzpistole an den Hochdruckschlauch an. Setzen Sie die Düse nicht in die Spritzpistole ein. Entfernen Sie die Düse, falls diese bereits montiert ist.



Bei Mehrpistolenbetrieb ist ein Mehrfachverteiler an einen einzelnen Pistolenanschluss anzuschließen. Schließen Sie einen Schlauch und eine Pistole an jeden Anschluss an. Achten Sie darauf, dass der zweite Pistolenauslassanschluss verschlossen ist. Beachten Sie die "Technischen Daten" in Abschnitt 3,5, um die Anzahl der Pistolen sowie die maximale Größe der Spritzdüse festzulegen.

⑦

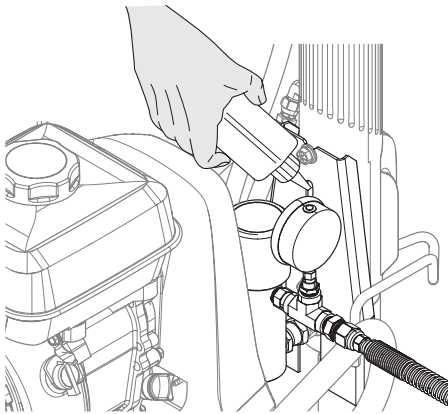


- Den Ölbehälter zur Hälfte mit EasyGlide (Bestell-Nr. 0508619) füllen. Dadurch verlängert sich die Lebensdauer der Dichtungen.



EasyGlide verhindert erhöhten Verschleiss der Dichtungen.

8



- Den Stand der Hydraulikflüssigkeit täglich vor Inbetriebnahme des Spritzgeräts überprüfen. Der Hydraulikflüssigkeitspegel sollte den Messstab unten berühren. Wartungsanleitungen für die Hydraulik finden Sie im Wartungsabschnitt dieses Handbuchs.



Für die Hydraulikanlage die von Wagner zugelassene Hydraulikflüssigkeit (Bestell-Nr. 0555425) verwenden. Keine anderen Hydraulikflüssigkeiten verwenden. Bei Verwendung anderer Hydraulikflüssigkeiten kann die Hydraulikanlage schwere Schäden erleiden, und die Garantie erlöschen.

- Benzinmotor - Den Motorölstand täglich vor Inbetriebnahme des Spritzgeräts kontrollieren. Der Ölstand im Benzinmotor wird vom Motorhersteller festgelegt. Weitere Informationen finden Sie in der Bedienanleitung des Motorherstellers, die mit diesem Spritzgerät geliefert wird.
- Verwenden Sie bei elektrischen Modellen einen 15 Amper Stromanschluss. Das elektrische Gerät muss stets in einer Entfernung von 3 bis 4,5 m zum Stromanschluss stehen. Verwenden Sie ein kurzes Stromkabel und einen langen Farbschlauch. Verlängerungskabel verursachen einen Spannungsabfall. Wenn ein Verlängerungskabel erforderlich ist, darf nur ein geerdetes 3-adriges Verlängerungskabel mit 2,5 mm<sup>2</sup> Querschnitt verwendet werden.

- Das Spritzgerät muss geerdet sein. Alle Spritzgeräte sind mit einem Erdungsanschluss ausgerüstet. Das Spritzgerät muss durch ein Erdungskabel korrekt geerdet werden. Detaillierte Anweisungen zur Erdung finden Sie in den vor Ort geltenden Elektroschaltvorschriften.



Eine richtige Erdung ist sehr wichtig. Dies gilt sowohl für Benzin- als auch für elektrisch betriebene Geräte. Beim Transport bestimmter Medien durch den Nylonschlauch entsteht eine elektrostatische Aufladung, die bei einer Entladung Lösungsmitteldämpfe entzünden und eine Explosion verursachen könnte.

- Alle Farben mit einem Nylonfilter filtern, um einen problemfreien Betrieb sicherzustellen und eine häufige Reinigung des Ansaugfilters und des Spritzpistolenfilters zu vermeiden.
- Der Arbeitsbereich muss gut belüftet sein, um die Bildung einer gefährlichen Konzentration von flüchtigen Lösungsmitteldämpfen oder Abgasen zu vermeiden.



Werden Lack bzw. brennbare Materialien verarbeitet, muss das Spritzgerät IMMER außerhalb des unmittelbaren Spritzbereichs stehen. Bei nicht Einhaltung besteht Explosionsgefahr.

- Positionieren Sie das Spritzgerät außerhalb des unmittelbaren Spritzbereichs, um zu vermeiden, dass der Lufteinlass des Motors durch Farbspritzer verstopft wird.

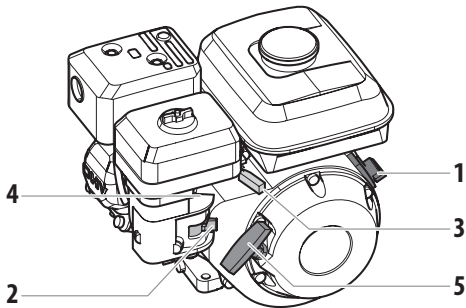
## 4.2 START DES BENZINMOTORS



Führen Sie die folgenden Schritte aus, wenn in diesem Handbuch vom Start des Benzinmotor gesprochen wird.

1. Den Hebel für das Benzinventil (Abb. 9, pos. 2) öffnen.
2. Drosselklappe (3) auf Mitte einstellen.
3. Den Choke-Hebel (4) bei kaltem Motor in die geschlossene oder bei warmem Motor in die offene Stellung bringen.
4. Den Motorschalter (1) in die Stellung ON (Ein) drehen.
5. Ruckartig an der Starterseil (5) ziehen, bis der Motor anspringt.

9



Wenn der Choke-Hebel (4) in die geschlossene Position bewegt wurde, um den Motor anzulassen, muss dieser wieder geöffnet werden, sobald der Motor läuft.

## 4.3 VORBEREITUNG EINES NEUEN SPRITZGERÄTS



Ist das Spritzgerät neu, wird es mit Testflüssigkeit im Flüssigkeitsbehälter ausgeliefert, um eine Korrosion während der Lieferung und Lagerung zu vermeiden. Diese Testflüssigkeit muss mit geeignetem Reinigungsmittel gründlich aus dem System entfernt werden, bevor mit den Spritzarbeiten begonnen wird.

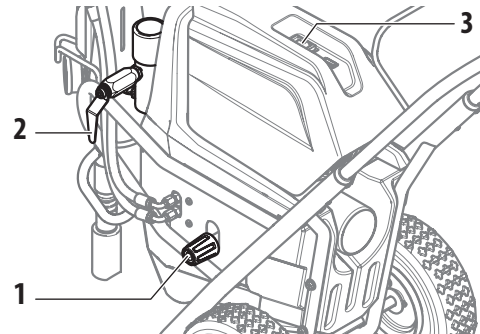


Achtung

Den Abzugsbügel der Spritzpistole stets verriegelt lassen, während das System auf die Inbetriebnahme vorbereitet wird. Siehe Benutzerhandbuch Spritzpistole bezüglich der Abzugsverriegelung.



1. Das Ansaugrohr in einen Behälter mit geeignetem Reinigungsmittel eintauchen.
2. Den Rücklaufschlauch in einen Metallbehälter hängen.
3. Den Druck auf Minimum einstellen. Dazu den Druckregler (Abb. 10, Pos. 1) ganz nach links drehen.
4. Das Auslassventil (2) ganz nach links drehen, um es zu öffnen.

10

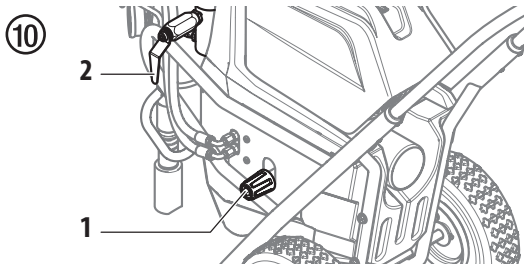


5. Benzinmotor oder Elektromotor starten.
  - a. Befolgen Sie die in Abschnitt 4.2 beschriebenen Schritte, um den Benzinmotor zu starten.
  - b. Um den Elektromotor anzuschalten, drücken und halten Sie den Schalter EIN/AUS (3) in der Position EIN, bis der Elektromotor die volle Drehzahl erreicht hat, dann lassen Sie den Schalter los.
6. Den Druckregler (Abb. 10, Pos. 1) etwa ein Drittel nach rechts drehen, um den Druck zu erhöhen, bis das Spritzgerät gleichmäßig arbeitet und aus dem Rücklaufschlauch Lösungsmittel austritt.
7. Das Spritzgerät 15–30 Sekunden laufen lassen, um die Testflüssigkeit aus dem Ablassschlauch zu spülen und in den Metallbehälter zu entleeren.
8. Das Spritzgerät abschalten.
  - a. Zum Ausschalten des Benzinmotors
    - den Druck auf Minimum einstellen. Dazu den Druckregler ganz nach links drehen.
    - den Drosselklappenhebel in die Position für niedrige Drehzahl bringen und
    - den Motorschalter in die Stellung OFF (Aus) drehen.
  - b. Um den elektrischen Motor abzuschalten,
    - den Druck auf Minimum einstellen. Dazu den Druckregler ganz nach links drehen.
    - den EIN/AUS-Schalter auf AUS stellen.

#### 4.4 VORBEREITUNG DER FARBE


	<p>Vor dem Farbauftrag muss kontrolliert werden, ob die Flüssigkeit in dem System kompatibel mit der Farbe ist, die verwendet werden soll.</p> <p>Wenn Flüssigkeit und Farbe inkompatibel sind, können die Ventile verkleben, so dass der Flüssigkeitsbehälter des Spritzgeräts zerlegt und gereinigt werden muss.</p>
 <p><b>Achtung</b></p>	<p>Den Abzug der Spritzpistole immer verriegeln, während das System auf die Inbetriebnahme vorbereitet wird. Siehe Benutzerhandbuch Spritzpistole bezüglich der Abzugsverriegelung.</p>

1. Das Ansaugrohr in einen Behälter mit dem geeigneten Lösungsmittel eintauchen.
2. Den Rücklaufschlauch in einen Metallabfallbehälter hängen.
3. Den Druck auf Minimum einstellen (Abb. 10, Pos. 1). Dazu den Druckregler ganz nach links drehen.
4. Das Auslassventil (2) ganz nach links drehen, um es zu öffnen.




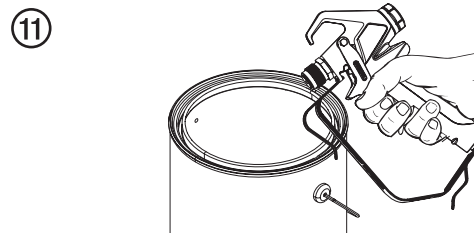
5. Benzinmotor oder Elektromotor starten.
  - a. Befolgen Sie die in Abschnitt 4.2 beschriebenen Schritte, um den Benzinmotor anzulassen.
  - b. Um den Elektromotor anzuschalten, drücken und halten Sie den Schalter EIN/AUS (3) in der Position EIN, bis der Elektromotor die volle Drehzahl erreicht hat, dann lassen Sie den Schalter los.
6. Den Druckregler (Abb. 10, Pos. 1) etwa ein Drittel nach rechts drehen, um den Druck zu erhöhen, bis das Spritzgerät gleichmäßig arbeitet und aus dem Rücklaufschlauch Lösungsmittel austritt.
7. Das Spritzgerät 15–30 Sekunden laufen lassen, um die Testflüssigkeit aus dem Rücklaufschlauch zu spülen und in den Metallbehälter zu entleeren.
8. Das Spritzgerät abschalten.
  - a. Zum Ausschalten des Benzinmotors
    - den Druck auf Minimum einstellen. Dazu den Druckregler ganz nach links drehen.
    - den Drosselklappenhebel in die Position für niedrige Drehzahl bringen und

- den Motorschalter in die Stellung OFF (Aus) drehen.
- b. Um den elektrischen Motor abzuschalten,
  - den Druck auf Minimum einstellen. Dazu den Druckregler ganz nach links drehen.
  - den EIN/AUS-Schalter auf AUS stellen.

	<p>Für die folgenden Schritte dürfen noch kein Düsenhalter und keine Düse an der Spritzpistole montiert sein.</p>
-----------------------------------------------------------------------------------	-------------------------------------------------------------------------------------------------------------------

9. Schliessen Sie das Auslassventil, indem Sie es bis zum Anschlag im Uhrzeigersinn drehen.
10. Benzinmotor oder Elektromotor starten.
11. Den Druckregler etwa ein Drittel nach rechts drehen, um den Druck zu erhöhen.
12. Die Spritzpistole entriegeln. Dazu die Verriegelung des Abzugsbügels in die "entriegelte Stellung" entsprechende Position bringen.

	<p>Die Spritzpistole gegen die Kante eines Metallbehälters drücken, um sie während der Spülung zu erden. Anderenfalls können sich elektrostatische Aufladungen bilden, die Brände verursachen können.</p>
------------------------------------------------------------------------------------	-----------------------------------------------------------------------------------------------------------------------------------------------------------------------------------------------------------



13. Die Spritzpistole in einen Metallbehälter halten und den Abzug ziehen, bis das alte Lösungsmittel entfernt ist und frisches Lösungsmittel austritt.
14. Verriegeln Sie die Pistole durch Drehen der Abzugsverriegelung in die verriegelte Position (siehe Handbuch Spritzpistole).
15. Die Spritzpistole nach unten halten und den Druck mit dem Druckregler vorsichtig durch Drehen nach rechts erhöhen.
16. Das gesamte System auf Leckstellen kontrollieren. Werden Leckstellen festgestellt, die Schritte zur „Druckentlastung“, wie in dieser Bedienanleitung beschrieben, ausführen, bevor Schläuche oder Verschraubungen festgezogen werden.
17. Vor dem Wechsel von Lösungsmittel auf Farbe die in dieser Bedienanleitung beschriebenen Schritte zur „Druckentlastung“ (Sektion 4.6) ausführen.

## 4.5 FARBGEBUNG

1. Das den Ansaugschlauch in einen Farbbehälter hängen.
2. Den Ablassschlauch in einen Metallabfallbehälter hängen.
3. Den Druck auf Minimum einstellen (Abb. 10, Pos. 1). Dazu den Druckreglerknopf ganz nach links drehen.
4. Das Ablassventil (2) ganz nach links drehen, um es zu öffnen.
5. Benzinmotor starten oder Elektromotor starten.
  - a. Befolgen Sie die in Abschnitt 4.2 beschriebenen Schritte, um den Benzinmotor anzulassen.
  - b. Um den Elektromotor anzulassen, drücken und halten Sie den Schalter EIN/AUS (3) in der Position EIN, bis der Elektromotor die volle Drehzahl erreicht hat, dann lassen Sie den Schalter los.
6. Den Druckreglerknopf etwa ein Drittel nach rechts drehen, um den Druck zu erhöhen, bis das Spritzgerät gleichmäßig arbeitet und aus dem Ablassschlauch Farbe austritt.
7. Das Spritzgerät abschalten.
  - a. Zum Ausschalten des Benzinmotors
    - den Druck auf Minimum einstellen. Dazu den Druckreglerknopf ganz nach links drehen.
    - den Drosselklappenhebel in die Position für niedrige Drehzahl bringen und
    - den Motorschalter in die Stellung OFF (Aus) drehen.
  - b. Um den elektrischen Motor abzuschalten,
    - den Druck auf Minimum einstellen. Dazu den Druckreglerknopf ganz nach links drehen.
    - stellen Sie den EIN/AUS-Knopf auf AUS.
8. Den Ablassschlauch aus dem Abfallbehälter nehmen und in den Farbbehälter hängen.
9. Das Ablassventil ganz nach rechts drehen
10. Benzinmotor starten oder Elektromotor starten.
11. Den Druckreglerknopf etwa ein Drittel nach rechts drehen, um den Druck zu erhöhen.
12. Die Spritzpistole entriegeln. Dazu die Verriegelung des Spritzpistolenauslösers in die entriegelte Stellung bringen.



Die Spritzpistole gegen die Kante eines Metallbehälters drücken, um sie während der Spülung zu erden. Anderenfalls können sich elektrostatische Aufladungen bilden, die Brände verursachen können.

13. Die Spritzpistole in einen Metallabfallbehälter halten und betätigen, bis Lösungsmittel und Luft komplett aus dem Sprühschlauch entfernt sind und die Farbe aus der Spritzpistole austritt.
14. Die Spritzpistole verriegeln. Dazu die Verriegelung des Spritzpistolenauslösers in die verriegelte Stellung bringen.
15. Das Spritzgerät abschalten.
16. Den Düsenschutz und die Düse an der Spritzpistole anbauen. Dabei die Hinweise in den Bedienanleitungen für Düsenschutz und Düse beachten.



**GEFAHR EINER FLÜSSIGKEITSINJEKTION** Keine Spritzarbeiten ohne den Düsenschutz durchführen. Den Auslöser der Spritzpistole nur betätigen, wenn der Düsenschutz entweder in der Spritzposition oder in der Position zur Düsenreinigung steht. Den Spritzpistolenauslöser immer verriegeln, bevor die Düse entfernt, ersetzt oder gereinigt wird.

17. Benzinmotor starten oder Elektromotor starten.
18. Den Druck durch langsames Drehen des Druckreglerknopfes nach rechts erhöhen und das Sprühmuster auf einem Stück Pappe kontrollieren. Den Druckreglerknopf so einstellen, dass die Spritzflüssigkeit vollkommen zerstäubt wird.



Wird der Druck höher eingestellt, als zur Zerstäubung der Farbe erforderlich, kommt es zu erhöhtem Düsenverschleiß und zu starkem Sprühnebel.

## 4.6 VORGEHENSWEISE BEI DRUCKENTLASTUNG



Bei Außerbetriebnahme des Spritzgeräts die Schritte für die Druckentlastung genau einhalten. Dies gilt auch für die Einstellung von Teilen oder Wartungsarbeiten an Teilen der Spritzanlage, für die Reinigung oder den Wechsel von Sprühdüsen und für die Vorbereitung auf die Reinigung.

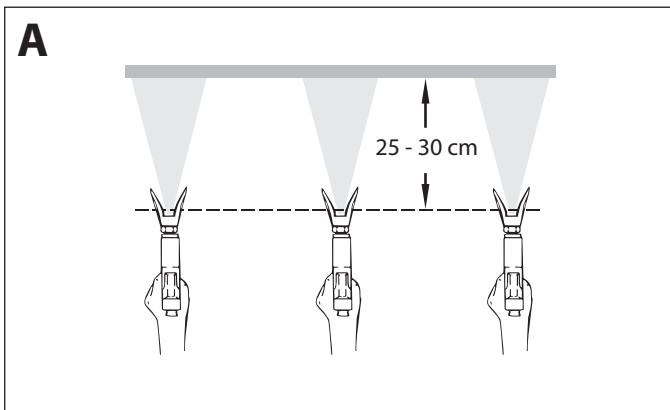
1. Die Spritzpistole verriegeln. Dazu den Spritzpistolenabzug in die verriegelte Stellung bringen.
2. Das Spritzgerät abschalten.
  - a. Zum Ausschalten des Benzinmotors
    - den Druck auf Minimum einstellen. Dazu den Druckregler ganz nach links drehen.
    - den Drosselklappenhebel in die Position für niedrige Drehzahl bringen und
    - den Motorschalter in die Stellung OFF (Aus) drehen.
  - b. Um den elektrischen Motor abzuschalten,
    - den Druck auf Minimum einstellen. Dazu den Druckreglerknopf ganz nach links drehen.
    - den EIN/AUS-Schalter auf AUS stellen.
3. Die Spritzpistole entriegeln. Dazu die Verriegelung des Spritzpistolenabzugs in die entriegelte Stellung bringen (siehe Handbuch Spritzpistole).
4. Den Metallbügel der Spritzpistole fest auf die Seitenwand eines Metallbehälters drücken, um die Spritzpistole zu erden und eine elektrostatische Aufladungen zu vermeiden.
5. Den Abzug der Spritzpistole drücken, um eventuell noch im Schlauch vorhandenen Druck abzubauen.
6. Die Spritzpistole verriegeln. Dazu die Verriegelung des Spritzpistolenabzugs in die verriegelte Stellung bringen (siehe Handbuch Spritzpistole).
7. Den Rücklaufschlauch in den Metallbehälter hängen.
8. Das Auslassventil ganz nach links drehen, um es zu öffnen.

## 5 SPRITZTECHNIK

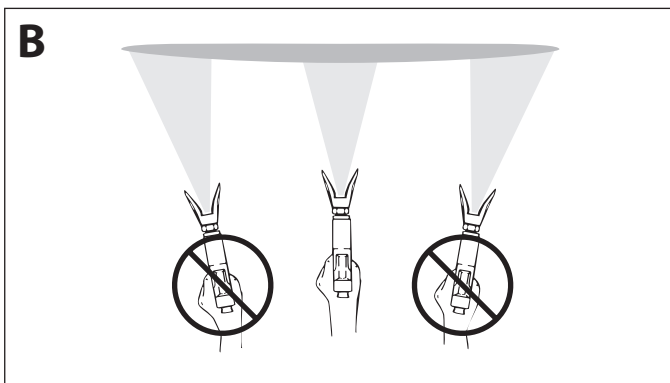


Injektionsgefahr. Nicht ohne richtig montierten Düsenschutz spritzen. Spritzpistolenabzug NIE drücken ohne dass die Düse vollständig in die Spritz- oder Entstopfungsposition gedreht ist. Spritzpistole IMMER vor Entfernen, Ersetzen oder Reinigen der Düse verriegeln.

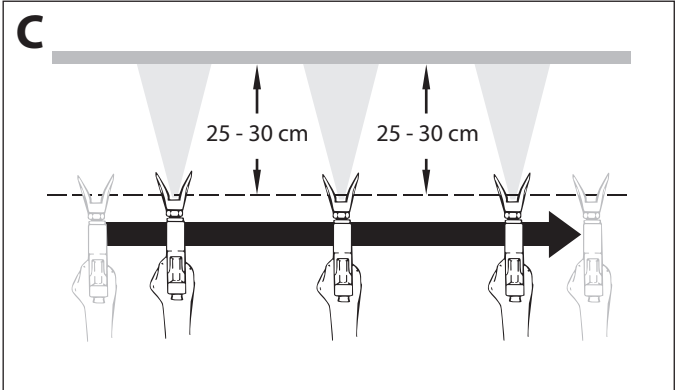
- A)** Der Schlüssel für ein gutes Sprühergebnis ist ein gleichmäßiger Farbauftrag auf der ganzen Oberfläche. Bewegen sie dafür Ihren Arm mit konstanter Geschwindigkeit und halten Sie die Spritzpistole im gleichen Abstand zur Oberfläche. Der beste Spritzabstand zwischen Spritzdüse und Oberfläche beträgt 25 - 30 cm.



- B)** Halten Sie die Spritzpistole parallel zur Oberfläche. Dies bedeutet, Sie müssen Ihren ganzen Arm, anstatt nur das Handgelenk, hin- und herbewegen. Halten Sie die Spritzpistole senkrecht zur Oberfläche; sonst wird die Oberfläche ungleichmäßig beschichtet.



- C)** Spritzpistolenabzug erst ziehen, wenn der Arm in Bewegung ist. Abzug vor Beenden der Bewegung loslassen. Überdecken Sie jeden Anstrich mit etwa 30%. Dies trägt zu einem gleichmäßigen Farbauftrag bei.



Beim Auftreten sehr scharfer Randzonen und Streifen im Spritzstrahl – Betriebsdruck erhöhen oder Beschichtungsstoff verdünnen.

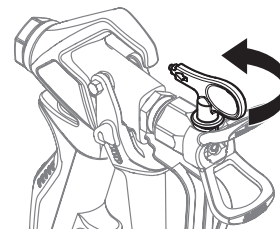
### 5.1 EINE VERSTOPFTE DÜSE REINIGEN



Ist die Applikation verzerrt bzw. tritt gar kein Material mehr aus, wenn der Abzug betätigt wird, ist wie folgt vorzugehen.

1. Entlastungsventil öffnen, Ventilstellung PRIME (↻ Zirkulation).
2. Wenn die Düse verstopft ist, drehen Sie die Düse um 180° bis der Pfeil auf dem Griff in die entgegengesetzte Richtung zur Spritzrichtung zeigt und der Griff in die umgekehrte Position einrastet (Abb. 12).
3. Entlastungsventil schließen, Ventilstellung SPRAY (↗ Spritzen).

12





4. Lösen Sie die Spritzpistole einmal aus, so dass der Luftdruck die Verstopfung ausblasen kann. Lösen Sie die Spritzpistole in der umgekehrten Position NIEMALS mehr als EINMAL kurz aus. Diese Prozedur kann so oft wiederholt werden, bis die Düse nicht mehr verstopft ist.





Der Austritt aus der Spritzdüse geschieht unter hohem Druck. Kontakt zu einem Körperteil kann gefährlich sein. Keinen Finger vor die Düse halten. Die Spritzpistole nie auf eine Person richten. Die Spritzpistole nie ohne die richtige Düsen-Schutzabdeckung bedienen.



## 5.2 ARBEITSUNTERBRECHUNG

	Befolgen Sie die folgenden Schritte, wenn Sie die Arbeiten für bis zu 20 Stunden unterbrechen. Diese Vorgehensweise gilt nur für die Verarbeitung von Materialien auf Basis von Latex oder Wasser.
	Wenn Sie nur den Materialbehälter austauschen, drehen Sie den Druckregler komplett gegen den Uhrzeigersinn auf die Mindesteinstellung, bevor Sie den Materialbehälter auswechseln. Drehen Sie den Druckregler im Uhrzeigersinn auf die vorherige Position, wenn Sie mit dem Sprühen fortfahren möchten.

1. Die in dieser Bedienungsanleitung im Abschnitt Betrieb beschriebenen Schritte zur „Druckentlastung“ ausführen (Abschnitt 4.6).
2. Legen Sie die Spritzpistole in eine Plastiktüte oder in einen mit Wasser gefüllten Eimer.
3. Ansaugschlauch und Rücklaufschlauch im Beschichtungsstoff oder geeignetem Reinigungsmittel eingetaucht lassen.
4. Decken Sie das Beschichtungsmaterial mit Folie ab und stellen das Gerät an einen kühlen, dunklen Ort, damit das Material nicht austrocknet.

 <b>Achtung</b>	Beim Einsatz von schnelltrocknenden – oder Zweikomponenten-Beschichtungsstoff, Gerät unbedingt innerhalb der Verarbeitungszeit mit geeignetem Reinigungsmittel durchspülen
	Entfernen Sie die Folie vom Materialbehälter, wenn Sie wieder Spritzarbeiten durchführen möchten, und befolgen Sie die Schritte in Abschnitt 4.4.

## 5.3 HANDHABUNG DES HOCHDRUCKSCHLAUCHES




	Dieses Gerät ist mit einem Hochdruckschlauch ausgestattet, der sich speziell für Airless-Pumpen eignet.
	Verletzungsgefahr durch undichten Hochdruckschlauch. Beschädigten Hochdruckschlauch sofort ersetzen. Niemals defekten Hochdruckschlauch selbst reparieren!

Der Hochdruckschlauch ist sorgsam zu behandeln. Scharfes Biegen oder Knicken vermeiden, kleinster Biegeradius etwa 20 cm.

Hochdruckschlauch nicht überfahren, sowie vor scharfen Gegenständen und Kanten schützen.



Niemals am Hochdruckschlauch ziehen, um das Gerät zu bewegen.

Darauf achten, dass der Hochdruckschlauch sich nicht verdreht. Durch Verwendung einer Wagner Spritzpistole mit Drehgelenk und einer Schlauchtrommel kann dies verhindert werden.

	Für die Handhabung des Hochdruckschlauches bei der Arbeit am Gerüst hat sich als am Vorteilhaftesten erwiesen, den Schlauch stets an der Außenseite des Gerüsts zu führen.
	Bei alten Hochdruckschläuchen steigt das Risiko von Beschädigungen. Wagner empfiehlt den Hochdruckschlauch nach 6 Jahren auszutauschen.
	Aus Gründen der Funktion, Sicherheit und Lebensdauer nur Wagner Original-Hochdruckschläuche verwenden.



## 6 REINIGUNG


 <b>Achtung</b>	<p>Das Spritzgerät, der Schlauch und die Spritzpistole müssen jeden Tag gründlich gereinigt werden. Geschieht dies nicht, kann sich die Farbe festsetzen und die Leistung des Gerätes erheblich beeinträchtigen.</p>
	<p>Immer mit möglichst niedrigem Druck sprühen, wenn der Düsenhalter der Spritzpistole entfernt ist und das Spritzgerät, der Schlauch oder die Spritzpistole mit Spiritus oder anderen Lösungsmittel gereinigt werden. Elektrostatische Aufladungen können zu Bränden oder Explosionen führen, wenn entzündliche Dämpfe vorhanden sind.</p>

### 6.1 BESONDERE REINIGUNGSHINWEISE BEI VERWENDUNG ENTFLAMMBARER LÖSUNGSMITTEL

- Die Spritzpistole stets im Freien und möglichst eine Schlauchlänge von der Spritzgerät entfernt spülen.
- Werden die zur Spülung verwendeten Lösungsmittel in einem Metallbehälter von etwa 4 l Fassungsvermögen aufgefangen, diesen in einen Behälter mit einem Fassungsvermögen von etwa 20 l stellen und erst dann weiter spülen.
- Im Arbeitsbereich dürfen sich keine entzündlichen Dämpfe sammeln.
- Alle Reinigungshinweise beachten.


### 6.2 REINIGUNG DES SPRITZGERÄTS

1. Die in dieser Bedienungsanleitung im Abschnitt Betrieb beschriebenen Schritte zur „Druckentlastung“ ausführen (Abschnitt 4.6).
2. Düse und Düsenhalter entfernen und mit einem Pinsel und einem geeigneten Lösungsmittel reinigen.
3. Den Rücklaufschlauch in einen Behälter mit geeignetem Lösungsmittel hängen.


 <b>Achtung</b>	<p>Bei der Reinigung nur geeignetes Lösungsmittel verwenden. Lassen Sie sich vom Hersteller ein geeignetes Lösungsmittel empfehlen.</p>
-------------------------------------------------------------------------------------------------------	-----------------------------------------------------------------------------------------------------------------------------------------

4. Den Rücklaufschlauch in einen Metallbehälter hängen.
5. Den Druck auf Minimum einstellen. Dazu den Druckregler ganz nach links drehen.
6. Das Ablassventil ganz nach links drehen, um es zu öffnen.
7. Benzinmotor oder Elektromotor starten.
8. Das Lösungsmittel durch das Spritzgerät zirkulieren lassen und die Farbe über den Rücklaufschlauch in einen Metallbehälter pumpen.


9. Das Spritzgerät abschalten.
10. Das Ablassventil ganz nach rechts drehen.
11. Benzinmotor oder Elektromotor starten.

	<p>Die Spritzpistole gegen den Rand eines Metallbehälters drücken, um sie während der Spülung zu erden. Anderenfalls können sich elektrostatische Aufladungen bilden, die Brände verursachen können.</p>
-----------------------------------------------------------------------------------	----------------------------------------------------------------------------------------------------------------------------------------------------------------------------------------------------------



12. Die Spritzpistole in den Metallbehälter halten und Abzug gedrückt halten, bis die Farbe aus dem Schlauch gespült ist und nur noch Lösungsmittel aus der Spritzpistole austritt.
13. Die Spritzpistole weiter in den Metallbehälter halten, bis nur noch sauberes Lösungsmittel aus der Spritzpistole austritt.

	<p>Zur längeren Lagerung oder zur Lagerung bei kalter Witterung das gesamte System mit Spiritus füllen.</p>
-----------------------------------------------------------------------------------	-------------------------------------------------------------------------------------------------------------

14. Vor dem Wechsel von Lösungsmittel auf Farbe die in dieser Bedienungsanleitung beschriebenen Schritte zur „Vorgehensweise bei Druckentlastung“ ausführen.
15. Das Sprühgerät an einem trockenen, sauberen Ort aufbewahren.

 <b>Achtung</b>	<p>Das Spritzgerät nicht unter Druck lagern.</p>
-------------------------------------------------------------------------------------------------------	--------------------------------------------------

### 6.3 GERÄTEREINIGUNG VON AUSSEN

	<p>Bei Elektromodellen sicherstellen, dass das Netzkabel ausgesteckt ist, um Stromschläge zu vermeiden.</p>
 <b>Achtung</b>	<p>Kurzschlussgefahr durch eindringendes Wasser! Gerät niemals mit Hochdruck- oder Dampfhochdruckreiniger abspritzen. Hochdruckschlauch nicht in Lösemittel einlegen. Außenseite nur mit einem getränkten Tuch abwischen.</p>

Gerät außen mit einem in geeignetem Reinigungsmittel getränkten Tuch abwischen.

## 6.4 DEN ANSAUGFILTER REINIGEN

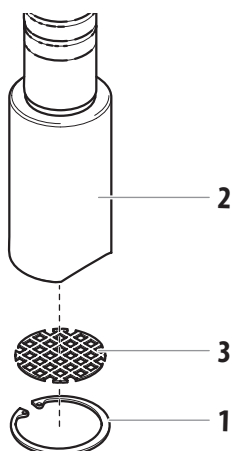


Ein sauberer Ansaugfilter gewährleistet stets maximale Fördermenge, konstanten Spritzdruck und einwandfreies Funktionieren des Gerätes.

### TAUCHBARES ANSAUGSYSTEM

1. Der Steinfänger wird verstopft und muss mindestens einmal täglich gereinigt werden.
2. Entfernen Sie den Haltering (Abb. 13, Pos. 1) vom Fußventilgehäuse (2).
3. Entfernen Sie das Eintrittsgitter (3) vom Fußventilgehäuse (2).
4. Mit geeignetem Lösungsmittel gründlich reinigen.

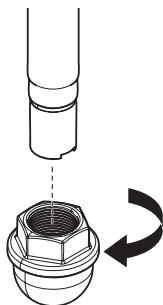
13



### STANDARD-ANSAUGSYSTEM

1. Filter (Abb. 14) vom Ansaugrohr abschrauben.
2. Filter reinigen oder austauschen.  
Reinigung mit einem harten Pinsel und entsprechendem Reinigungsmittel durchführen.

14



## 6.5 REINIGUNG DER AIRLESS-SPRITZPISTOLE



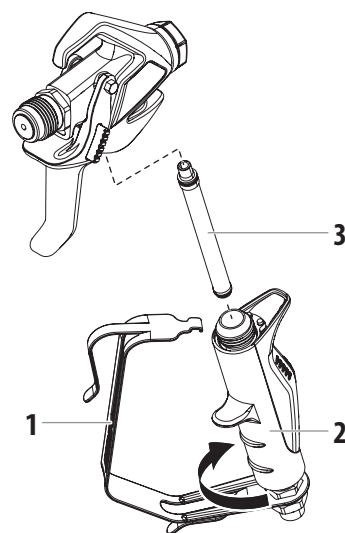
Reinigen Sie die Spritzpistole nach jeder Benutzung.

1. Airless-Spritzpistole bei niedrigem Betriebsdruck mit geeignetem Reinigungsmittel durchspülen.
2. Düse gründlich mit geeignetem Reinigungsmittel reinigen, so dass keine Beschichtungsstoffreste zurückbleiben.
3. Airless-Spritzpistole außen gründlich reinigen.

### EINSTECKFILTER IN DER AIRLESS-SPRITZPISTOLE (ABB. 15)

1. Lösen Sie die obere Seite des Abzugsschutzes (1) vom Pistolenkopf.
2. Verwenden Sie die Unterseite des Abzugsschutzes als Schraubenschlüssel, lösen Sie mit diesem den Handgriff (2) und entfernen diesen vom Pistolenkopf.
3. Den alten Filter (3) aus dem Spritzpistolenkopf ziehen. Reinigen oder tauschen Sie diesen aus.
4. Den neuen Filter mit dem konischen Ende zuerst in den Spritzpistolenkopf einschieben.
5. Den Griff so weit in den Spritzpistolenkopf einschieben, bis er fest sitzt. Ziehen Sie diesen mit dem Abzugsschraubenschlüssel fest.
6. Lassen Sie den Abzugsschutz wieder in den Pistolenkopf einrasten.

15



## 7 UNTERHALT



Bevor Sie fortfahren, befolgen Sie die Richtlinien zum Druckentlastungsablauf, wie vorherig in diesem Handbuch beschrieben. Zusätzlich befolgen Sie alle anderen Warnungen, um das Risiko einer Injektionsverletzung, Verletzungen verursacht durch bewegliche Teile oder Elektroschock zu vermeiden. Vor der Wartung, das Spritzgerät abstellen!

### 7.1 TÄGLICHE WARTUNG

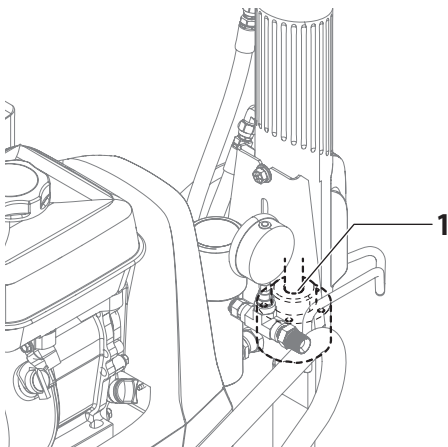
Für dieses Spritzgerät sind täglich zwei routinemässige Abläufe zum Unterhalt erforderlich:

- A. Die oberen Dichtungen einfetten (Abschnitt 7.2).
- B. Den Steinfänger reinigen (Abschnitt 6.4).

### 7.2 DIE OBEREN DICHTUNGEN EINFETTEN

1. Die Farbe, welche über die Dichtungen herausgedrungen ist und in die Schmierbüchse (Abb. 16, Pos. 1) über dem Flüssigkeitsbereich gesickert ist reinigen.
2. Die Schmierbüchse zur Hälfte mit EasyGlide (P/N 0508619) welches von der Fabrik geliefert wird, auffüllen. Dies verlängert die Lebensdauer der Dichtungen.

16



Die Schmierbüchse nicht überfüllen, so dass kein Öl in die Farbe tropft.

### 7.3 UNTERHALT DES FILTERAUFBAUS



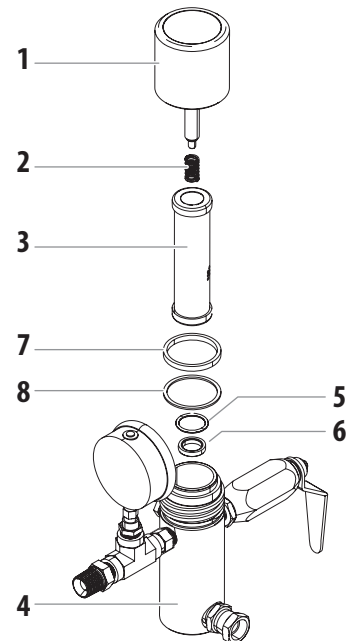
Die Filter regelmässig reinigen. Verschmutzte oder verstopfte Filter können die Filterung behindern und eine Reihe von Systemprobleme, wie schlechtes Spritzbild, verstopfte Spritzdüsen etc, auslösen.

#### REINIGUNG (ABB. 17)

Zur Reinigung der Filter muss der folgende Ablauf befolgt werden.

1. Befolgen Sie die Richtlinien zum "Druckentlastungsablauf", wie im Abschnitt „Betrieb“ dieses Handbuchs beschrieben.
2. Den Filterdeckelaufbau (1) und die Feder (2) entfernen.
3. Den Filtereinsatz mit Kugel (3) gerade aus dem Filtergehäuse (4) herausheben.
4. Die Innenseite des Filtergehäuses, den Filtereinsatz mit Ball und den Filterdeckelaufbau mit einem geeigneten Lösungsmittel reinigen.

17



Die Teile mit Sorgfalt behandeln, da die O-Ringe durch Schmutz, Ablagerungen, Kratzer und Kerben nicht richtig dichten könnten.

Dieser Filtereinsatz filtert von innen nach außen. Deshalb muss der Filtereinsatz innen gründlich gereinigt werden. Den Filtereinsatz im Lösungsmittel einweichen um gehärtete Farbe zu lösen oder ersetzen.

**INSPEKTION (ABB. 17)**

Alle Teile des Filteraufbaus vor dem Wiedereinbau überprüfen.

1. Die Kugel innerhalb des Filtereinsatzes überprüfen. Wenn die Kugel Druckschnitte oder -kratzer aufweist, muss der Filtereinsatz ersetzt werden.
  - a. Wenn die Kugel Schnitte aufweist, den PTFE O-Ring (5) mit Hilfe eines O-Ring Hakens entfernen und den Karbidsitz (6) entfernen.
  - b. Den Sitz auf Kerben und Rillen überprüfen. Falls der Sitz beschädigt ist, muss er ersetzt werden.



Beim Entfernen wird der PTFE O-Ring beschädigt und muss ersetzt werden.

2. Die Feder aus der Federführung (2) am Filterdeckel entfernen.
  - a. Die Länge der entspannten Feder messen. Misst die Feder weniger als 1,9 cm (3/4") von einem Ende zum anderen, muss sie ersetzt werden.
  - b. Die Feder in die Federführung zurückdrücken, bis sie in die richtige Position einrastet.
3. Die zwei PTFE-Dichtungen auf Deformierung, Kerben oder Schnitte überprüfen. Falls nötig, ersetzen.



Die PTFE-Dichtungen, der PTFE O-Ring und die Feder sind im Filter Service Set P/N 930-050 enthalten.

**WIEDEREINBAU (ABB. 17)**

Nach der Reinigung und Überprüfung aller Teile den Filter wieder einbauen.

1. Den Karbidsitz (6) in das Filtergehäuse (4) einsetzen. Vergewissern Sie sich, dass die schräge Seite des Sitzes nach oben zeigt.
2. Den PTFE O-Ring (5) in die Rille am äußeren Durchmesser der Karbidsitz (6) anbringen.
3. Den Filtereinsatz mit Ball (3) in das Filtergehäuse (4) setzen.



Die untere und obere Seite des Filtereinsatzes mit Ball sind identisch.

4. Falls noch nicht getan, die Feder (2) in die Federführung im Filterdeckelaufbau (1) zurückdrücken, bis sie in der richtigen Position einrastet.
5. Die dünne PTFE-dichtung (8) auf den Absatz am oberen Ende des Filtergehäuses (4) legen.
6. Die dicke PTFE-dichtung (7) auf die dünne PTFE-dichtung (8) legen.
7. Den Filterdeckelaufbau (1) am Filtergehäuse (4) anziehen.

**7.4 WARTUNG DES HYDRAULISCHEN SYSTEMS**

**Achtung**

Die Benutzung von Wagner Hydraulikflüssigkeit (P/N 0555425) für das hydraulische System ist obligatorisch. Benutzen Sie keine andere Hydraulikflüssigkeit. Die Benutzung einer anderen Hydraulikflüssigkeit kann das hydraulische System schwer beschädigen und führt zum Verlust der Garantie.

1. Die Hydraulikflüssigkeit täglich überprüfen. Der Hydraulikflüssigkeitspegel sollte den Messstab (Abb. 18, 1) unten berühren. Wenn dieser trocken ist, nur die Wagner Hydraulikflüssigkeit (P/N 0555425) nachfüllen. Die Hydraulikflüssigkeit immer in einer sauberen, staubfreien Umgebung auffüllen oder ersetzen. Die Verschmutzung der Hydraulikflüssigkeit wird die Lebensdauer der hydraulischen Pumpe verkürzen und kann zum Verlust der Garantie führen.

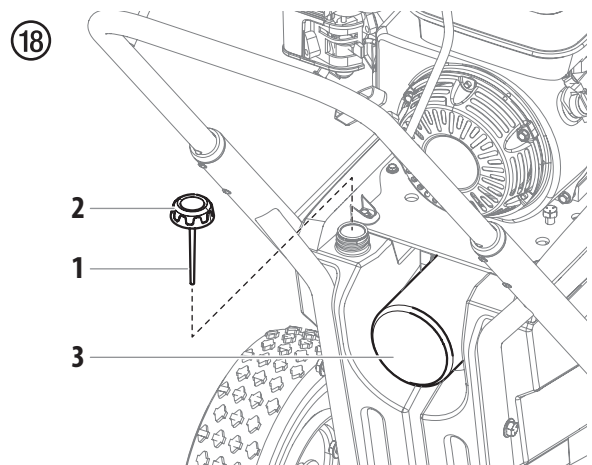


Stellen Sie bei der Überprüfung des Pegels der Hydraulikflüssigkeit sicher, dass das Gerät auf einer flachen, ebenen Fläche steht.



Die Hydraulikflüssigkeit sollte alle zwölf Monate ausgewechselt werden. Wenden Sie sich hierfür an den Wagner Service.

2. Das hydraulische System hat einen externen, ersetzbaren Hydraulikfilter (Abb. 18, pos. 3). Den Filter einmal alle 12 Monate wechseln.
3. Die Hydraulikpumpe soll nicht im Aussendienst gewartet werden. Wenn die Hydraulikpumpe Wartung erfordert, muss sie an ein von Wagner zugelassenes Service-Center eingeschickt werden.





**7.5 UNTERHALT DES FLÜSSIGKEITSBEREICHS**

Wenn das Spritzgerät für eine längere Zeit nicht in Gebrauch ist, wird empfohlen, dass nach der Reinigung eine Mischung aus Kerosin und Öl als Konservierungsmittel eingesetzt wird. Dichtungen können infolge Nichtgebrauch austrocknen. Dies trifft im Speziellen auf die oberen Dichtungen, für die im Normalgebrauch die Wartung mit EasyGlide (P/N 0508619) empfohlen ist.

Wenn das Spritzgerät für eine längere Zeit nicht in Gebrauch ist, kann es nötig werden, die Pumpe mit einem Lösungsmittel zu grundieren. Es ist enorm wichtig, dass die Gewinde der Rücklaufschlauchanschlusses richtig abgedichtet sind. Jegliches Luftleck wird ungleichmässige Bedienung des Spritzgerätes zur Folge haben und kann das System beschädigen. Die Aufwärts- und Abwärtsstriche sollten ungefähr gleich lang dauern (einer soll nicht schneller sein als der andere). Ein schneller Aufwärts- oder Abwärtsstrich kann darauf hinweisen, dass sich Luft im System befindet oder dass Ventile oder Sitze nicht richtig funktionieren (siehe „Fehlerbehebung“)

**7.6 HOCHDRUCKSCHLAUCH**

Hochdruckschlauch optisch auf eventuell vorhandene Einschnitte oder Ausbeulungen, insbesondere am Übergang in die Armatur, prüfen. Überwurfmuttern müssen sich frei drehen lassen. Die Leitfähigkeit von kleiner 1 Mega Ohm muss über der gesamten Länge vorhanden sein.


 <b>Achtung</b>	Alle elektrischen Prüfungen vom Wagner-Service durchführen lassen.
	Bei alten Hochdruckschläuchen steigt das Risiko von Beschädigungen. Wagner empfiehlt den Hochdruckschlauch nach 6 Jahren auszutauschen.

**7.7 EINFACHE WARTUNG DES MOTORS (BENZINMOTOR)**

- Für detaillierte Informationen und technische Spezifikationen verweisen wir Sie auf das separate Handbuch für Benzinmotoren.
- Alle Wartungen am Motor sollen von einem vom Motorenhersteller bevollmächtigten Händler durchgeführt werden.

**TÄGLICH**

1. Motorölstand überprüfen und wenn nötig auffüllen.
2. Benzinstand überprüfen und wenn nötig auffüllen.

	Zum Auftanken immer die Arbeitsschritte, die vorab in diesem Handbuch erklärt wurden ausführen.
-----------------------------------------------------------------------------------	-------------------------------------------------------------------------------------------------

**ERSTE 20 STUNDEN**

- Motorenöl wechseln.

**ALLE 100 STUNDEN**

- Motorenöl wechseln.
- Sedimentbecher reinigen.
- Zündkerze reinigen und den Abstand wiederherstellen.
- Funkenableiter reinigen.

**WÖCHENTLICH**

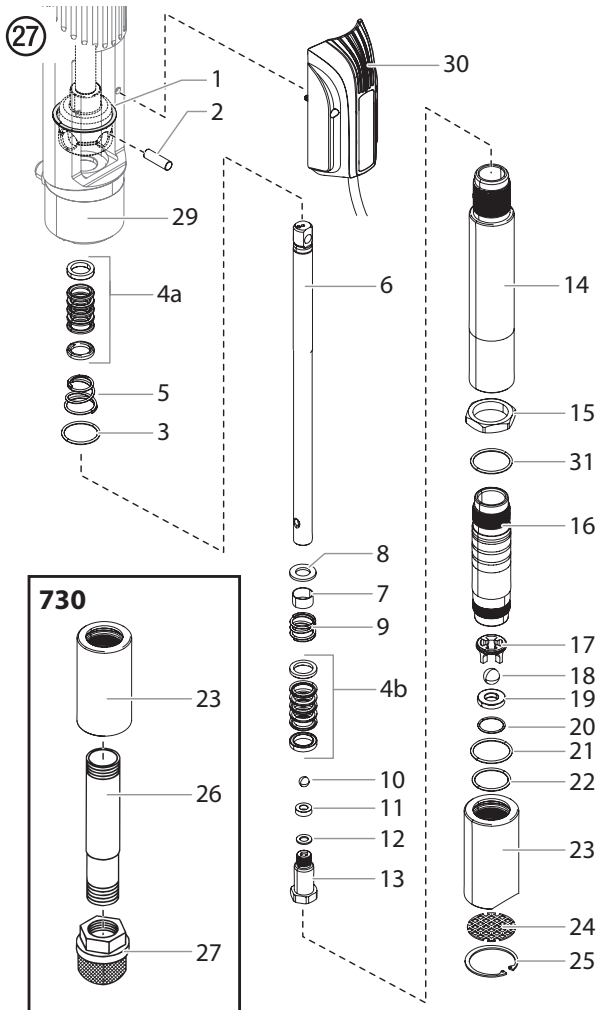
- Die Luftfilterabdeckung entfernen und das Element reinigen. In sehr staubiger Umgebung muss der Filter täglich überprüft werden. Das Element wenn nötig ersetzen. Ersatzelemente können beim örtlichen Händler für diesen Motorenhersteller erworben werden.

**BEDIENUNG UND WARTUNG DES MOTORS**

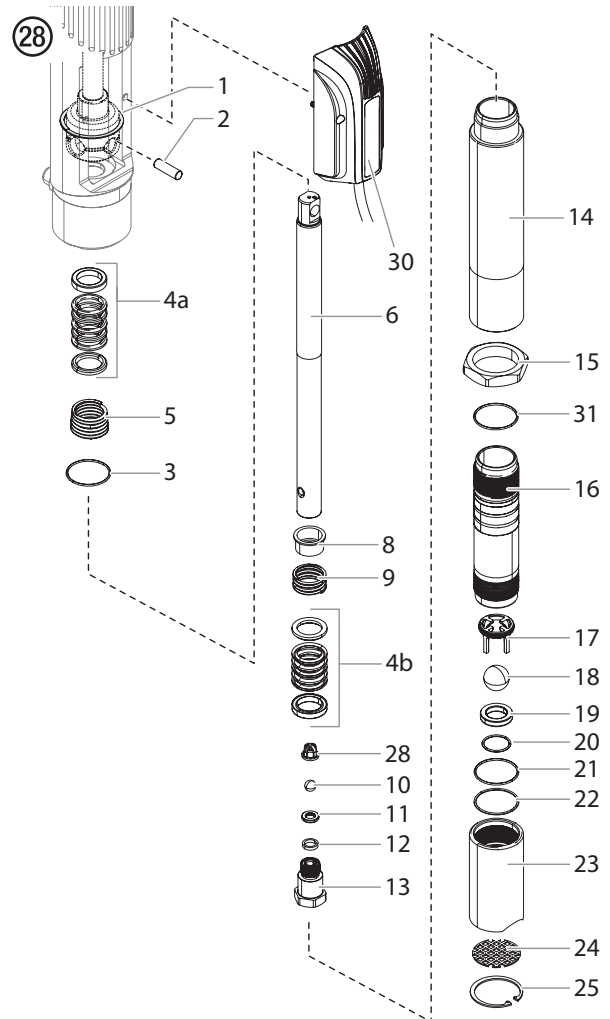
- Luftfiltermatte des Benzinmotors alle 25 Stunden oder einmal wöchentlich reinigen und ölen. Das Luftansaugsieb um das Schwungrad im Benzinmotor soll nicht mit Farbe oder Abfall aufgefüllt werden. Reinigen Sie es regelmässig. Die Lebensdauer und Arbeitsleistung des Benzinmotorenmodells beruht auf dem richtigen Betrieb des Benzinmotors. Das Öl alle 100 Stunden wechseln. Nichteinhaltung dessen kann zu Überhitzung des Motors führen. Beachten Sie das mitgelieferte Bedienungshandbuch des Herstellers.
- Um Benzin zu sparen, Lebensdauer zu verlängern und die Leistung des Spritzgerätes zu bewahren soll der Benzinmotor immer auf der tiefstmöglichen Drehzahl laufen, auf der er gleichmässig und ohne Anstrengung läuft und die gewünschte Menge Farbe ausstösst, die für die jeweilige Malarbeit erforderlich ist. Höhere Drehzahlen erzeugen nicht höheren Arbeitsdruck. Der Benzinmotor ist mit der Hydraulikpumpe durch eine Seilrollenkombination verbunden, die dazu bestimmt ist, den vollen Farbausstoss bei maximaler Drehzahl zu liefern.
- Die Garantie für die Benzinmotoren ist auf den Originalhersteller beschränkt.

## 7.8 UNTERHALT DES FLÜSSIGKEITSBEREICHES

### HEAVYCOAT 730



### HEAVYCOAT 750 / HEAVYCOAT 770



**Achtung**

Die Benutzung von anderen Ersatzteilen als Wagner kann die Garantie annullieren. Für die beste Wartung, benutzen Sie Originalteile von Wagner. Diese Pumpe sollte nach ungefähr 1000 Stunden Laufzeit mit einer Routinewartung gewartet werden. Bei übermäßigem Leck oder wenn die Pumpbewegungen in die eine oder andere Richtung schneller werden, ist eine frühere Wartung nötig. Zur Schmierung der oberen Dichtungen ist die Verwendung von Wagner EasyGlide (p/n 0508619) empfohlen. Benutzen Sie kein Öl, Wasser oder Lösungsmittel als Schmiermittel für die oberen Dichtungen.


### DEMONTAGE DES FLÜSSIGKEITSBEREICHES


1. Lösen Sie die unverlierbaren Schrauben, die die Leiterplattenbestückung am hydraulischen Motorzylinder befestigen, mithilfe eines Inbusschlüssels. Sobald diese gelöst sind, kann die Platte an ihrem Kabel hängen.
2. Den Haltering (1) mit einem kleinen Schraubenzieher heraufschieben und dann den Verbindungsstift (2) herausdrücken.
3. **HeavyCoat 730** - Entfernen des Ansaugrohrs (26).
4. Drehen Sie die Mutter zum Entfernen des Flüssigkeitsabschnitts (15) gegen den Uhrzeigersinn, so dass es sie an den Gewinden auf dem Zylinder ausläuft (16).
5. Legen Sie einen Schraubenschlüssel auf die Schlüsselflächen der Mutter zum Entfernen des Flüssigkeitsabschnitts (15). Drehen Sie den Schlüssel gegen den Uhrzeigersinn, um den Hydraulikmotor zu entfernen.
6. Ziehen Sie den Flüssigkeitsabschnitt vorsichtig nach unten, um ihn vom Hydraulikmotor zu entfernen.
7. Um den Flüssigkeitsabschnitt zu warten, sollte er durch Sicherung der Schlüsselflächen der Mutter zum Entfernen des Flüssigkeitsabschnitts (15) in einem Schraubstock stabilisiert werden.
8. Schrauben Sie das Fußventilgehäuse (23) mit einem Bandschlüssel los.
9. Den die obere Dichtungsfeder (5) und den oberen Dichtungssatz (4a) vom Motoren-/Pumpenblock entfernen.
10. Legen Sie einen Schraubenschlüssel an die Schlüsselflächen des Kolbens (6). Lösen und entfernen Sie das Gehäuse des Auslassventils (13) vom Kolben (6).

11. Entfernen Sie die Dichtungsscheibe (12), den Ablassventilsitz (11), die Ablassventilkugel (10), den Ablassventilkorb (28, nur HeavyCoat 750 / HeavyCoat9700), die untere Dichtungssatz (4b), die untere Packungsfeder (9) und die Federsicherung (8).
12. Führen Sie das Ende der Verlängerung mithilfe einer 1/2" Verlängerung, die an einem 1/2" Ratschenantrieb befestigt ist, in die quadratische Öffnung des Fußventilkorbs (17) innerhalb des Fußventilgehäuses (23) ein. Schrauben Sie den Fußventilkorb vom Fußventilgehäuse los und entfernen Sie ihn.
13. Den PTFE O-Ring (22), Fussventilkugel (18), Fussventilsitz (19) und Sitz-O-Ring (20) vom Fussventilgehäuse (23) entfernen.
14. Den O-Ring (21) vom Pumpenzylinder (16) entfernen.

7. Die Gewinde am Auslassventilgehäuse (13) reinigen und die Gewinde mit Loctite blau Nr. 242 beschichten. Vergewissern Sie sich, dass Loctite nur auf dem Gewinde aufgetragen wird.
8. Die untere Dichtungsfeder (9) auf das Auslassventilgehäuse (13) setzen, gefolgt von der Federhalter (8).
9. Den Verdrängungssteg (6) und das Auslassventilgehäuse (13) zusammenschrauben. In einem Schraubstock bis zu 50 ft./lbs. (68 Nm) anziehen.
10. Den PTFE O-Ring (3) in die obere Furche des Motoren-/Pumpenblocks einsetzen.
11. Den oberen Dichtungssatz (4a) in den Motoren-/Pumpenblock einsetzen, mit der Spitze der "V" Dichtungen nach oben, in Richtung Motor zeigend.


## WIEDEREINBAU DES FLÜSSIGKEITSBEREICHS


	An allen Rohrverbindungsgewinden PTFE-band benutzen.
-----------------------------------------------------------------------------------	------------------------------------------------------

	Die Dichtungen müssen vor der Montage in Öl eingeweicht worden sein.
-----------------------------------------------------------------------------------	----------------------------------------------------------------------

1. Einen neuen Sitz O-Ring (20) in die Kerbe am unteren Teil des Fussventilgehäuses (23) anbringen.
2. Den Fussventilsitz (19) auf Abnutzung untersuchen. Wenn eine Seite abgenutzt ist, den Sitz auf die unbenutzte Seite umdrehen. Wenn beide Seiten abgenutzt sind, einen neuen Sitz einbauen. Den neuen oder umgedrehten Sitz (abgenutzte Seite nach unten) in die Bohrung am Unteren Teil des Fussventilgehäuses (23) einfügen.
3. Eine neue Fussventilkugel (18) auf den Fussventilsitz setzen (19). Benutzen Sie eine 1/2" Verlängerungsstange welche an ein 1/2" Antriebszahngesperre angebaut ist, und fügen Sie das Ende der Verlängerungsstange in die quadratische Oeffnung des Fussventilkorbes (17) und schrauben den Fussventilkorb in das Fussventilgehäuse (23). Drehmoment für den Korb bis 240 in./lbs (20 ft./lbs.).
4. Einen neuen PTFE O-Ring (22) in die Furche am unteren Ende des Fussventilgehäuses (23) einsetzen. Den O-Ring mit Oel oder Fett schmieren.
5. Nachdem die Lederdichtungen in Öl (vorzugsweise Leinöl) eingeweicht wurden, den unteren Dichtungssatz (4b) wieder zusammenbauen. Den Satz auf das Auslassventilgehäuse (13) setzen, mit dem Spitz der "V" Dichtungen nach unten in Richtung des Sechskants am Auslassventilgehäuse zeigend.

12. Die obere Dichtungsfeder (5) mit dem kleinen zulaufenden Ende gegen oben in Richtung Motor/Pumpe zeigend in den Motoren-/Pumpenblock einsetzen.
13. Den Verdrängungsstab (6) durch die oberen Dichtungen hinauf in den Motoren-/Pumpenblock einsetzen.
14. Die Löcher im Verdrängungsstab (6) und dem Hydraulikkolbenstab aufeinander abstimmen und den Verbindungsstift (2) einsetzen. Den Haltering (1) über dem Verbindungsstift ersetzen.
15. **HeavyCoat 730** - Schrauben Sie die langen Gewinde des Pumpenzylinders (16) in den Motor-/Pumpenblock und ziehen Sie sie mit einem Bandschlüssel fest.
16. Schrauben Sie die Außengewinde des Zylinderabstandhalters (14) in den Motor-/Pumpenblock und ziehen Sie sie mit einem Bandschlüssel fest. Schrauben Sie die langen Gewinde des Pumpenzylinders (16) in den Zylinderabstandhalter und ziehen Sie sie mit einem Bandschlüssel fest.
17. Den O-Ring (21) in die oberste Furche des Pumpenzylinders (16) einsetzen.
18. Das Fussventilgehäuse (23) auf den Pumpenzylinder (16) aufschrauben, mit einem Riemenschlüssel festziehen.
19. **HeavyCoat 730 Benzin** - Montieren Sie das Ansaugrohr (26).

	Alle Ledermanschetten müssen vor der Montage für 15-20 Minuten in Öl eingeweicht werden. Werden die Manschetten zu lange eingeweicht, schwellen diese auf und verursachen Probleme beim Wiederzusammenbau.
-------------------------------------------------------------------------------------	------------------------------------------------------------------------------------------------------------------------------------------------------------------------------------------------------------

	Es ist nicht nötig, das Fussventilgehäuse zu stark anzuziehen. Die O-Ring Dichtungen dichten ohne übermässiges Anziehen. Anziehen bis an das Ende des Gewindes ist genügend. <b>HeavyCoat 730</b> - Für den Rücklaufschlauch ist es kritisch wichtig, dass die Gewinde des Syphonschlauches raumfest in das Fussventilgehäuse passen und dass die schlauch mit PTFE-band umwickelt und abgedichtet sind, um Luftlecks zu verhindern.
-------------------------------------------------------------------------------------	-----------------------------------------------------------------------------------------------------------------------------------------------------------------------------------------------------------------------------------------------------------------------------------------------------------------------------------------------------------------------------------------------------------------------------------------

6. Den Auslassventilsitz (11) auf Abnutzung untersuchen. Wenn eine Seite abgenutzt ist, den Sitz auf die unbenutzte Seite umdrehen. Wenn beide Seiten abgenutzt sind, einen neuen Sitz benutzen. Den Auslassventilkorb (28, nur HeavyCoat 750 / 770), Auslassventilkugel (10), neuen oder umgedrehten Sitz (abgenutzte Seite von der Kugel entfernt) und eine neue Dichtscheibe (12) in die Verdrängungsstange (6) einsetzen.

## 8 FEHLERBEHEBUNG

### 8.1 AIRLESS-SPRITZPISTOLE

#### PROBLEM

A. Spuckende Spritzpistole

#### GRUND

1. Luft im System
2. Verschmutzte Spritzpistole
3. Nadelbaugruppe nicht mehr angepasst
4. Sitz ist zerbrochen oder angeschlagen

#### LÖSUNG

1. Verbindungen auf Luftleck überprüfen.
2. Zerlegen und reinigen.
3. Ueberprüfen und abstimmen.
4. Ueberprüfen und ersetzen.

B. Spritzpistole lässt sich nicht absperren

1. Abgenutzte oder zerbrochene Nadel & Sitz
2. Nadelbaugruppe nicht mehr angepasst
3. Verschmutzte Spritzpistole

1. Ersetzen.
2. Abstimmen.
3. Reinigen.

C. Spritzpistole spritzt nicht

1. Keine Farbe
2. Verstopfter Filter oder Düse
3. Zerbrochene Nadel in der Spritzpistole

1. Flüssigkeitsvorrat überprüfen.
2. Reinigen.
3. Ersetzen.

### 8.2 FLÜSSIGKEITSBEREICH

#### PROBLEM

A. Pumpe gibt Farbe nur beim Aufwärtsstrich ab oder geht langsam aufwärts und schnell abwärts (üblicherweise auch downstroke dive genannt)

#### GRUND

1. Unterer Fussventilball kann sich nicht setzen, da entweder verschmutzt oder abgenutzt
2. Material ist zu dickflüssig um angesaugt zu werden.
3. Luft tritt an der Ansaugseite ein oder beschädigter Syphonschlauch. Der Syphon ist vielleicht zu klein für dickeres Material.

#### LÖSUNG

1. Fussventilbaugruppe entfernen. Reinigen und überprüfen. Fussventil testen indem es mit Wasser gefüllt wird; falls der Ball den Sitz nicht abdichtet, den Ball ersetzen.
2. Material verdünnen — Für die richtigen Verdünnungsverfahren den Hersteller kontaktieren.
3. Alle Verbindungen zwischen Pumpe und Farbbehälter festziehen. Falls beschädigt, ersetzen. Auf ein Syphonset mit grösserem Durchmesser wechseln.

B. Pumpe gibt Farbe nur beim Abwärtsstrich ab oder geht schnell aufwärts und langsam abwärts

1. Oberer Ball kann sich nicht setzen, da entweder verschmutzt oder abgenutzt
2. Untere Dichtungen sind abgenutzt

1. Den oberen Sitz und Ball mit Wasser testen. Falls der Ball nicht abdichtet, den Sitz ersetzen.
2. Dichtungen ersetzen falls sie abgenutzt ist.

C. Pumpe bewegt sich schnell auf- und abwärts, gibt Farbe ab

1. Materialkübel ist leer oder das Material ist zu dickflüssig um durch den Syphonschlauch zu fließen

1. Mit neuem Material auffüllen. Wenn es zu dickflüssig ist, den Syphonschlauch entfernen, Flüssigkeitsbereich in das Material eintauchen und Pumpe zum Grundieren anstellen. Verdünner dem Material beimischen. Auf ein grösseres Syphonset umstellen. Auslaufventil öffnen um Luft abzulassen und Pumpe neu starten.
2. Fussventil entfernen. Ball und Sitz reinigen.
3. Gerade legen.

D. Pumpe bewegt sich langsam auf- und abwärts wenn die Spritzpistole abgestellt ist

1. Lose Verbindungen. Auslaufventil ist teilweise offen oder Auslaufventil ist abgenutzt. Unterer Dichtungssitz ist abgenutzt.

1. Alle Verbindungen zwischen Pumpe und Spritzpistole überprüfen. Wenn nötig festziehen. Falls Material aus dem Ablassschlauch läuft, Ablassventil schliessen oder wenn nötig ersetzen. Wenn keine der obenerwähnten Lösungen erforderlich ist, die untere Dichtung ersetzen.
2. Bälle neu setzen indem sie gereinigt werden.

E. Ungenügend Flüssigkeitsdruck in der Spritzpistole

1. Spritzpistolendüse ist abgenutzt
2. Abflussfilter oder Spritzpistolenfilter ist verstopft
3. Tiefe Spannung und/oder unzureichende Stromstärke
4. Schlauchdurchmesser ist zu klein oder Schlauchlänge zu lang

1. Ersetzen.
2. Filter reinigen oder ersetzen.
3. Elektrizitätsservice überprüfen. Wenn nötig korrigieren.

F. Pumpe klappert beim Aufwärts- oder Abwärtsstrich

1. Lösungsmittel brachte obere Dichtung zum anschwellen

1. Dichtung ersetzen.



## 8.3 HYDRAULIKMOTOR

### PROBLEM

- A. Hydraulikmotor blockiert in der unteren oder oberen Endstellung; geringer oder mittlerer Druck der Flüssigkeitspresse; ungewöhnliche Hubgeschwindigkeit; hohe Temperatur des Hydrauliköls (über 200°F, [93°C]).

### GRUND

1. Niedriger Hydraulikölstand.
2. Druckregelung zu niedrig eingestellt.
3. Ausfall hydraulischer Riemen oder Riemenscheibe.
4. Ausfall Hydraulikkolben.
5. Blockierter oder defekter Kolben Flüssigkeitsabschnitt.
6. Ausfall hydraulische Kolbenstangendichtung.
7. Ausfall hydraulische Kolbenkopfdichtung.
8. Sonstiges

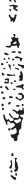
### LÖSUNG

1. Ölstand prüfen. Gegebenenfalls auffüllen. Wenn Ölstand aufgefüllt ist, Controller prüfen.
2. Stellen Sie sicher, dass der Druckregler ausreichend aufgedreht ist, um den Motor anzutreiben. Wenn die Einstellung des Druckreglers korrekt ist, prüfen Sie den Riemen und die Riemenscheiben.
3. Stellen Sie sicher, dass sich der Schlüssel in der Abtriebswelle des Motors/Elektromotors und in der Eingangswelle der Hydraulikpumpe befindet. Stellen Sie sicher, dass der Riemen nicht defekt und ausreichend gespannt ist. Wenn Riemen und Riemenscheiben in Ordnung sind, wenden Sie sich an ein von Wagner zugelassenes Service-Center.
4. Sichtprüfung der hydraulischen Kolbenstange auf Defekte. Wenn die hydraulische Kolbenstange defekt ist, entfernen/ersetzen Sie den Hydraulikkolben. Je nachdem, wo der Defekt aufgetreten ist, muss eventuell auch der Kolbenkoppler ausgetauscht werden. Falls Sie Hilfe benötigen, suchen Sie bitte ein von Wagner zugelassenes Service-Center auf. Wenn der Hydraulikkolben in Ordnung ist, prüfen Sie den Kolben des Flüssigkeitsabschnitts auf Blockaden/Defekte.
5. Um den Kolben des Flüssigkeitsabschnitts auf Blockaden/Defekte zu prüfen, lösen Sie den Hydraulikkolben vom Farbkolben, indem Sie den Spannstift entfernen. Schalten Sie das Gerät ein, Wenn der Hydraulikmotor schaltet, wenn der Hydraulikkolben vom Farbkolben gelöst ist, liegt das Problem wahrscheinlich im Flüssigkeitsabschnitt. Falls Sie Hilfe benötigen, suchen Sie bitte ein von Wagner zugelassenes Service-Center auf. Wenn der Hydraulikmotor nicht schaltet, prüfen Sie die hydraulische Kolbenstangendichtung.
6. Entfernen Sie die Steckverbindung der hydraulischen Kolbenstangendichtung, die die Stangendichtung, den O-Ring und den Stangenschleißring enthält. Prüfen Sie diese auf Beschädigung und ersetzen Sie gegebenenfalls die Stangendichtung, den O-Ring oder den Stangenschleißring. Wenn die Stangendichtung, der O-Ring und der Stangenschleißring nicht beschädigt sind, prüfen Sie die hydraulische Kolbenkopfdichtung.
7. Entfernen Sie den Hydraulikkolben und prüfen/ersetzen Sie gegebenenfalls die Kolbenkopfdichtung und den Schleißring des Kolbenkopfes. Prüfen Sie bei diesem Vorgang die Zylinderbohrung auf Schäden oder ungleichmäßigen Verschleiß. Wenn die Zylinderbohrung beschädigt ist, ersetzen Sie den Pumpenblock zusammen mit der Kolbenkopfdichtung und dem Kolbenkopf-Verschleißring.
8. Wenn weiterhin Probleme bestehen, wenden Sie sich an das von Wagner zugelassene Service-Center.

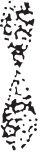
## 8.4 SPRITZMUSTER

### PROBLEM

A. Schweif



B. Stundenglas



C. Verzerrt



D. Muster ausgedehnt und zusammengedrückt (Schub)



E. Rundes Muster

### GRUND

1. Mangelhafte Flüssigkeitszufuhr

1. Mangelhafte Flüssigkeitszufuhr

1. Verstopfte oder abgenutzte Düse

1. Anslagleck  
2. Pulsierende Flüssigkeitszufuhr

1. Abgenutzte Düse  
2. Flüssigkeit zu dickflüssig für Düse

### LÖSUNG

1. Flüssigkeit atomisiert nicht richtig: Flüssigkeitsdruck vergrößern. Düse mit einer kleineren Düse austauschen. Flüssigkeitsviskosität verringern. Schlauchlänge verringern. Spritzpistole und Filter reinigen. Anzahl Spritzpistolen, die von der Pumpe bedient werden reduzieren.

1. Gleich wie oben.

1. Düse reinigen oder ersetzen.

1. Ansaugschlauch auf Leck überprüfen.  
2. Düse mit einer kleineren Düse austauschen. Pulsschlagdämpfer im System installieren oder existierender Dämpfer ablassen. Anzahl Spritzpistolen die von der Pumpe bedient werden reduzieren. Beschränkungen im System beseitigen; Düsengitter reinigen wenn Filter benutzt wird.

1. Düse ersetzen.  
2. Druck erhöhen. Material verdünnen. Düse austauschen.

## 9 ANHANG

### 9.1 DÜSENAUSWAHL

Um eine einwandfreie und rationelle Arbeitsweise zu erzielen, ist die Auswahl der Düse von großer Wichtigkeit.

In vielen Fällen kann die richtige Düse nur über einen Spritzversuch ermittelt werden.

#### **EINIGE REGELN HIERZU:**

Der Spritzstrahl muss gleichmäßig sein.

Wenn Streifen im Spritzstrahl erscheinen, so ist der Spritzdruck zu gering oder die Viskosität des Beschichtungsstoffes zu hoch.

**Abhilfe:** Druck erhöhen oder Beschichtungsstoff verdünnen. Jede Pumpe leistet eine bestimmte Fördermenge im Verhältnis zur Düsengröße:

**Es gilt grundsätzlich:** Große Düse = niedriger Druck  
Kleine Düse = hoher Druck

Es gibt ein großes Sortiment von Düsen mit verschiedenen Spritzwinkeln.


### 9.2 WARTUNG UND REINIGUNG VON AIRLESS HARTMETALL-DÜSEN

#### **STANDARDDÜSEN**

Ist eine andere Düsenausführung montiert, dann nach Herstellerangaben reinigen.

Die Düse hat eine mit größter Präzision bearbeitete Bohrung. Um eine lange Lebensdauer zu erreichen ist eine schonende Behandlung erforderlich. Denken Sie daran, dass der Hartmetalleinsatz spröde ist! Düse niemals werfen oder mit scharfen metallenen Gegenständen bearbeiten.

#### **Folgende Punkte sind zu beachten, um die Düse sauber und einsatzbereit zu halten:**

1. Entlastungsventil öffnen, Ventilstellung PRIME (Zirkulation) .
2. Gerät ausschalten.
3. Düse von der Spritzpistole demontieren.
4. Düse in ein entsprechendes Reinigungsmittel legen bis alle Beschichtungsstoffreste aufgelöst sind.
5. Wenn Druckluft vorhanden ist, Düse ausblasen.
6. Mit einem spitzen hölzernen Stab (Zahnstocher) eventuelle Reste entfernen.
7. Die Düse unter Zuhilfenahme eines Vergrößerungsglases kontrollieren und falls erforderlich, Punkt 4 bis 6 wiederholen.

## PRÜFUNG DES GERÄTES

Aus Gründen der Sicherheit empfehlen wir das Gerät bei Bedarf, jedoch mindestens alle 12 Monate, durch Sachkundige daraufhin zu prüfen, ob ein sicherer Betrieb weiterhin gewährleistet ist.

Bei stillgelegten Geräten kann die Prüfung bis zur nächsten Inbetriebnahme hinausgeschoben werden. Zusätzlich sind auch alle (eventuell abweichende) nationalen Prüfungs- und Wartungsvorschriften zu beachten. Bei Fragen wenden Sie sich bitte an die Kundendienststellen der Firma Wagner.

## WICHTIGER HINWEIS ZUR PRODUKTHAFTUNG

Nach dem seit 01.10.1990 geltenden Produkthaftungsgesetz haftet der Hersteller für sein Produkt bei Produktfehlern uneingeschränkt nur dann, wenn alle Teile vom Hersteller stammen oder von diesem freigegeben wurden, die Geräte sachgemäß montiert und betrieben werden. Bei Verwendung von fremdem Zubehör und Ersatzteilen kann die Haftung ganz oder teilweise entfallen, wenn die Verwendung des fremden Zubehörs oder der fremden Ersatzteile zu einem Produktfehler führt. In extremen Fällen kann von den zuständigen Behörden (Berufsgenossenschaft und Gewerbeaufsichtsamt) der Gebrauch des gesamten Geräts untersagt werden.

Mit original WAGNER Zubehör und Ersatzteilen haben Sie die Gewähr, dass alle Sicherheitsvorschriften erfüllt sind.

## ENTSORGUNGSHINWEIS

Gemäß der europäischen Richtlinie 2012/19/EU zur Entsorgung von Elektro- Altgeräten, und deren Umsetzung in nationales Recht, ist dieses Produkt nicht über den Hausmüll zu entsorgen, sondern muss der umweltgerechten Wiederverwertung zugeführt werden!



Ihr Wagner - Altgerät wird von uns, bzw. unseren Handelsvertretungen zurückgenommen und für Sie umweltgerecht entsorgt. Wenden Sie sich in diesem Fall an einen unserer Service-Stützpunkte, bzw. Handelsvertretungen oder direkt an uns.

## 3 + 2 JAHRE GARANTIE AUF DIESES WAGNER HANDWERKER PRODUKT

(Stand 03.03.2022)

WAGNER gibt ausschließlich dem gewerblichen Käufer, der das Produkt im autorisierten Fachhandel erworben hat (im Folgenden „Kunde“ genannt), eine neben den gesetzlichen Gewährleistungsregelungen bestehende Garantie für die im Internet unter <https://go.wagner-group.com/3plus2-info> aufgeführten Produkte, sofern nicht ein Garantieausschluss vorliegt.

Die Garantiezeit für WAGNER Produkte (Geräte) im Handwerker Bereich beträgt 36 Monate und beginnt mit dem Kaufdatum des Erstkaufs. Der Garantiezeitraum kann um weitere 24 Monate verlängert werden, wenn das Produkt innerhalb von 28 Tagen nach dem Kauf im Internet unter <https://go.wagner-group.com/3plus2> registriert wird.

Bei kommerzieller Vermietung, industriellem Gebrauch (z.B. Einsatz im Schichtbetrieb) oder gleichzusetzender Beanspruchung beträgt die Garantiezeit 12 Monate aufgrund der deutlich höheren Belastung. Hier behalten wir uns vor, im Einzelfall eine Prüfung vorzunehmen und gegebenenfalls die Garantie abzulehnen.

Zeigen sich innerhalb der Garantiezeit Fehler in Material, Verarbeitung oder Leistung des Geräts, so sind Garantieansprüche unverzüglich, spätestens jedoch innerhalb einer Frist von 2 Wochen nach Entdeckung des Fehlers geltend zu machen.

Die detaillierten Garantiebestimmungen erhalten Sie auf Nachfrage bei unseren autorisierten WAGNER Partnern (siehe Webseite oder Betriebsanleitung) oder in Textform auf unserer Webseite:

<https://go.wagner-group.com/pf-warranty-conditions>



Änderungen vorbehalten

## EU Konformitätserklärung

### Benzinbetriebene Modelle (type 558, 564, 566)

Wir erklären in alleiniger Verantwortung, dass dieses Produkt den folgenden einschlägigen Bestimmungen entspricht:

2006/42/EG, 2011/65/EU

Angewandte harmonisierte Normen:  
EN ISO 12100, EN 1953

Die EU Konformitätserklärung liegt dem Produkt bei. Sie kann bei Bedarf mit der Bestellnummer **2383464** nachbestellt werden.

### Elektrische Modelle (type 560, 562)

Wir erklären in alleiniger Verantwortung, dass dieses Produkt den folgenden einschlägigen Bestimmungen entspricht:

2006/42/EC, 2014/30/EU, 2011/65/EU, 2012/19/EU

Angewandte harmonisierte Normen:

EN ISO 12100, EN 1953, EN 60204-1, EN IEC 61000-3-2,  
EN 61000-3-3, EN IEC 61000-6-1, EN 61000-6-3

Die EU Konformitätserklärung liegt dem Produkt bei. Sie kann bei Bedarf mit der Bestellnummer **2383462** nachbestellt werden.

## SERVICENETZ IN DEUTSCHLAND

Bei Fragen zu unseren Produkten oder technischen Problemen helfen Ihnen unsere Experten gerne weiter.

### **Kundenzentrum**

T 07544 - 505-1666

F 07544 - 505-1155

email: kundenzentrum@wagner-group.com

### **Reparatur Hotline**

T 075 44 - 505-1520

Mo-Do. 7.00 - 12.00 Uhr, 13.00 - 16.00 Uhr

Fr. 7.00 - 12.00 Uhr, 13.00 - 15.00 Uhr

email: Technical.Support-DF@wagner-group.com

Servicestützpunkte ganz in Ihrer Nähe finden Sie auch im Internet unter **go.wagner-group.com/profi**

# Attention!

## Danger de blessure par injection de produit!

Les groupes "Airless" produisent des pressions de projection extrêmement élevées.



**1**

**Ne jamais exposer les doigts, les mains ou d'autres parties du corps au jet!**

**Ne jamais diriger le pistolet vers soi, vers d'autres personnes ou vers des animaux.**

**Utiliser toujours le pistolet muni de sa protection.**

**Ne traitez pas une blessure par injection comme simple coupure.**

**En cas de blessure de la peau par l'injection de peintures ou de solvants, consultez sans retard un médecin. Renseignez le médecin sur la nature de la peinture ou du solvant utilisés.**

**2**

**Avant toute mise en service, respecter les points suivants conformément aux instructions de service:**

1. Ne jamais utiliser un équipement défectueux.
2. Verrouiller le pistolet Wagner par le levier de sécurité à la gâchette.
3. Assurer la mise à la terre correcte.
4. Vérifier et respecter les pressions admissibles pour le flexible et le pistolet.
5. Contrôler l'étanchéité de tous les raccords.

**3**

**Respecter sans faute les instructions relatives au nettoyage et à l'entretien réguliers du matériel.**

**Avant toute intervention sur le matériel et pendant chaque interruption de travail, observer les règles suivantes:**

1. Evacuer la pression du pistolet et du flexible.
2. Verrouiller le pistolet Wagner par le levier de sécurité à la gâchette.
3. Arrêter le groupe.

# Ne négligez pas la sécurité!

<b>1</b>	<b>PRESCRIPTIONS DE SÉCURITÉ POUR LA PROJECTION AIRLESS</b>	<b>64</b>	<b>8</b>	<b>DÉPANNAGE</b>	<b>86</b>
1.1	Explication des symboles utilisés	64	8.1	Pistolet sans air	86
1.2	Dangers pour la sécurité	64	8.2	Section des liquides	86
1.3	Utilisation sur un terrain incliné	66	8.3	Moteurs hydrauliques	87
1.4	Sécurité en électricité	66	8.4	Répartition de la pulvérisation	88
1.5	Sécurité du moteur à essence	66	<b>9</b>	<b>ANNEXE</b>	<b>89</b>
1.6	Ravitaillement (moteur à essence)	67	9.1	Choix des buses	89
<b>2</b>	<b>GÉNÉRALITÉS D'UTILISATION</b>	<b>68</b>	9.2	Entretien et nettoyage de buses Airless en carbure	89
2.1	Domaines d'utilisation	68		<b>NOTE IMPORTANTE SUR LA RESPONSABILITÉ DE PRODUIT</b>	<b>89</b>
2.2	Produits de revêtement	68		<b>GARANTIE PROFESSIONAL FINISHING DE 3+2 ANS</b>	<b>90</b>
<b>3</b>	<b>DESCRIPTION DU MATÉRIEL</b>	<b>69</b>		<b>DÉCLARATION DE CONFORMITÉ UE</b>	<b>90</b>
3.1	Illustration groupes HC avec moteur à essence	69		<b>ACCESSOIRES POUR GROUPES HC I</b>	<b>91</b>
3.2	Illustration groupes HC avec moteur électrique	70		<b>ACCESSOIRES POUR GROUPES HC II</b>	<b>92</b>
3.3	Caractéristiques techniques	71		<b>PIÈCES DE RECHANGE</b>	<b>94</b>
3.4	Transport	72		Liste des pièces de rechange ensemble principal	94
3.5	Transport par palan	72		Liste des pièces de rechange ensemble de chariot	96
<b>4</b>	<b>FONCTIONNEMENT</b>	<b>72</b>		Liste des pièces de rechange piston à auget HeavyCoat 750 SSP	97
4.1	Installation	72		Liste des pièces de rechange du section des liquides HC 730 / 750	98
4.2	Démarrage du moteur (modèles à essence)	74		Liste des pièces de rechange du section des liquides HC 750 / 770	100
4.3	Préparation d'un nouveau vaporisateur	74		Liste des pièces de rechange filtre à haute pression	102
4.4	Préparation avant de peindre	75		<b>RÉSEAU DE SERVICE WAGNER</b>	<b>104</b>
4.5	Peinture	76			
4.6	Procédure de décharge de pression	76			
<b>5</b>	<b>PULVÉRISATION</b>	<b>77</b>			
5.1	Nettoyage d'une buse obstruée	77			
5.2	Interruptions de travail	78			
5.3	Manipulation du flexible à haute pression	78			
<b>6</b>	<b>NETTOYAGE</b>	<b>79</b>			
6.1	Consignes spéciales de nettoyage lors de l'utilisation du pistolet avec des solvants inflammables	79			
6.2	Nettoyage du pulvérisateur	79			
6.3	Nettoyage extérieur du groupe	79			
6.4	Nettoyage de la crépine	80			
6.5	Nettoyage du pistolet Airless	80			
<b>7</b>	<b>ENTRETIEN</b>	<b>81</b>			
7.1	Entretien quotidien	81			
7.2	Lubrification des garnitures supérieures	81			
7.3	Entretien du filtre	81			
7.4	Entretien du système hydraulique	82			
7.5	Entretien de la section des fluides	83			
7.6	Tuyau flexible haute pression	83			
7.7	Entretien de base du moteur (moteur à essence)	83			
7.8	Maintenance de la section des liquides	84			

# 1 PRESCRIPTIONS DE SÉCURITÉ POUR LA PROJECTION AIRLESS

## 1.1 EXPLICATION DES SYMBOLES UTILISÉS

Veillez lire et être sûr de comprendre toutes les informations contenues dans ce manuel avant d'utiliser l'appareil. Lorsque vous pénétrez dans une zone qui contient les symboles suivants, soyez particulièrement vigilant et vérifiez que les systèmes de sécurité sont bien installés.



→ Ce symbole indique un risque potentiel pouvant entraîner des blessures graves ou même mortelles. Vous trouverez ci-après d'importantes consignes de sécurité.



Attention

→ Ce symbole indique un risque potentiel pour vous ou pour l'appareil. D'importantes informations sur la manière d'éviter tout dommage de l'équipement ou d'éviter des blessures légères sont indiquées ci-après.



→ Danger de blessure par injection de produit



→ Danger d'incendie



→ Risque d'explosion



→ Vapeurs toxiques et/ou inflammables. Danger d'intoxication et de brûlure



→ Risque de blessure par choc électrique



→ Les notes contiennent des informations qui doivent être consciencieusement respectées.

## 1.2 DANGERS POUR LA SÉCURITÉ



### RISQUE : BLESSURE PAR PROJECTION

Un courant de liquide à haute pression produit par cet équipement peut percer la peau et les tissus sous-cutanés, et entraîner des blessures graves ou une amputation.

Ne traitez pas une blessure par injection comme simple coupure. En cas de blessure de la peau par l'injection de peintures ou de solvants, consultez sans retard un médecin. Renseignez le médecin sur la nature de la peinture ou du solvant utilisés.

### PRÉVENTION :

- NE dirigez JAMAIS le pistolet vers une partie du corps, quelle qu'elle soit.
- NE laissez JAMAIS une partie du corps entrer en contact avec le flux de liquide. NE laissez JAMAIS votre corps au contact d'une fuite dans le tuyau de liquide.
- NE placez JAMAIS vos mains devant le pistolet. Les gants ne constituent pas un rempart suffisant contre les blessures par projection.
- Bloquez TOUJOURS la gâchette du pistolet, éteignez la pompe et vidangez toute la pression avant toute opération d'entretien, avant de nettoyer une buse ou une protection, avant de changer une buse ou si vous laissez l'appareil sans surveillance. La pression ne s'évacue pas simplement en éteignant le moteur. La vanne prime/SPRaY ou la vanne de décharge de la pression doivent être placées dans les positions souhaitées pour vidanger la pression.
- Conservez TOUJOURS la protection de la buse en place lorsque vous pulvérisez. La protection de la buse fournit une certaine protection mais il s'agit principalement d'un système d'alarme.
- Enlevez TOUJOURS la buse de pulvérisation avant de rincer ou de nettoyer le système.
- N'utilisez JAMAIS un pistolet pulvérisateur sans blocage de gâchette et sans protection de gâchette.
- Tous les accessoires doivent pouvoir travailler à la pression de travail maximale du pulvérisateur ou au-dessus. Ceci concerne les buses de pulvérisation, les pistolets, les rallonges et le tuyau.





### RISQUE : FLEXIBLE À HAUTE PRESSION

Le tuyau de peinture peut présenter des fuites dues à l'usure, aux pincements et aux mauvaises utilisations. Toute fuite peut entraîner une projection de matériau dans la peau. Vérifiez soigneusement le tuyau avant chaque utilisation.

#### PRÉVENTION :

- Il faut éviter de trop plier le flexible; le plus petit rayon ne doit pas être inférieur à 20 cm.
- Protéger le flexible contre le passage de véhicules et éviter le frottement sur des arêtes vives.
- Remplacer immédiatement tout tuyau à haute pression endommagé.
- Ne jamais essayer de réparer un flexible endommagé!
- La charge électrostatique du pistolet et du flexible est évacuée par ce dernier. Pour cette raison, la résistance électrique entre les raccords du flexible doit être égale ou inférieure à 1 mégohm.
- Pour des raisons de fonctionnement, de sécurité et de durée utile utiliser exclusivement des flexibles à haute pression originaux de Wagner.
- Avant chaque utilisation, vérifiez que les tuyaux ne présentent ni coupures, ni fuites, ni signes d'abrasion ou de renflement du revêtement. Vérifiez l'état et le mouvement des raccords. Remplacez immédiatement les tuyaux s'ils sont en mauvais état. Ne réparez jamais un tuyau de peinture. Remplacez-le par un tuyau à haute pression relié à la masse.
- Assurez vous que le tuyau à air et les tuyaux de pulvérisation sont disposés de façon à éviter les risques de glissade, de trébuchement ou de chute.



### RISQUE : EXPLOSION ET INCENDIE

Les vapeurs inflammables, telles que les vapeurs de solvant et de peinture, dans une zone de travail peuvent s'enflammer ou exploser.



#### PRÉVENTION :

- Servez-vous de l'équipement dans un endroit bien aéré. Faites circuler beaucoup d'air frais dans l'endroit afin d'éviter l'accumulation de vapeurs inflammables dans la zone de pulvérisation. Entreposez l'ensemble de la pompe dans un endroit bien aéré. Ne pulvérisez pas l'ensemble de la pompe.
- Modèles électriques uniquement - N'utilisez pas de peintures ayant un point d'éclair sous 21 °C. Le point d'éclair est la température à laquelle un liquide peut produire suffisamment de vapeurs pour s'enflammer.

- Modèles à essence uniquement - Ne faites jamais le plein lorsque le moteur est en marche ou chaud. Éteignez le moteur et laissez-le refroidir. L'essence est inflammable. Elle peut s'enflammer ou exposer si on en renverse sur une surface chaude.
- Éliminez toutes les sources d'inflammation, comme les veilleuses, les cigarettes, les lampes électriques portatives et les toiles de protection en plastique (risque d'arc statique).
- Gardez la zone de travail exempte de débris, y compris des solvants, des chiffons et d'essence.
- Ne branchez ou ne débranchez pas les cordons d'alimentation, ne mettez pas l'appareil en marche, n'allumez ou n'éteignez pas les lumières lorsque des vapeurs inflammables sont présentes.
- Mettez à terre l'équipement et les objets conducteurs dans la zone de travail. Assurez-vous que le câble de mise à la terre (non inclus) relie la patte de mise à la terre à une prise de terre réelle.
- Utilisez uniquement des tuyaux mis à la terre.
- Tenez le pistolet de pulvérisation fermement contre le côté d'un seau mis à la terre lorsque vous pulvérisez dans le seau.
- S'il y a production d'étincelles statiques ou si vous ressentez un choc, arrêtez le fonctionnement immédiatement.
- Soyez au courant du contenu de la peinture et des solvants à pulvériser. Lisez toutes les fiches signalétiques (FS) et les étiquettes des récipients de peinture et de solvant. Suivez les consignes de sécurité du fabricant de peinture et du solvant.
- N'utilisez pas de peinture ou de solvant contenant des hydrocarbures hydrogénés, comme du chlore, de l'eau de Javel, un agent anti-moisissure, du chlorure de méthylène et du trichloroéthane. Ils ne sont pas compatibles avec l'aluminium. Communiquez avec le fournisseur de revêtement au sujet de la compatibilité du produit avec l'aluminium.
- Gardez un extincteur dans la zone de travail.



### RISQUE : VAPEURS DANGEREUSES

Les peintures, solvants, et autres matériaux peuvent être nocifs en cas d'inhalation ou de contact avec la peau. Les vapeurs peuvent entraîner de sérieuses nausées, des syncopes ou des empoisonnements.

#### PRÉVENTION :

- Pendant le travail de protection porter un masque respiratoire. Lisez attentivement toutes les instructions fournies avec le masque pour vous assurer qu'il fournit bien la protection nécessaire.
- Tous les règlements locaux en matière de protection contre les vapeurs toxiques doivent être respectés.
- Portez des protections oculaires.

- Pour protéger la peau il est nécessaire de porter des vêtements de protection, des gants et d'utiliser éventuellement une crème de protection de la peau. Observer les prescriptions des fabricants au sujet des produits de peinture, de nettoyage et des solvants pendant la préparation, la mise en oeuvre et le nettoyage du matériel.



### RISQUE : GÉNÉRALITÉS

peut entraîner des blessures sévères ou des dégâts matériels.

### PRÉVENTION :

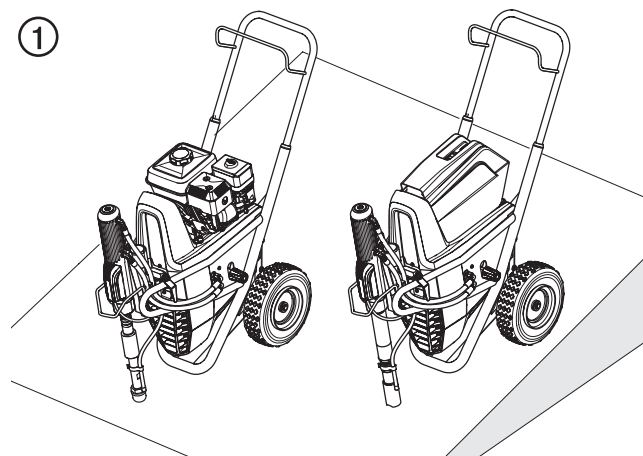
- Respectez toutes les réglementations locales et nationales concernant la ventilation, la prévention des incendies et le fonctionnement.
- Lorsque vous appuyez sur la détente, il se produit un mouvement de recul de la main qui tient le pistolet pulvérisateur. Le recul du pistolet pulvérisateur est particulièrement puissant lorsque la buse a été démontée et lorsque la pompe sans air a été réglée sur une pression élevée. Lors du nettoyage sans buse, réglez donc le bouton de contrôle de la pression sur la pression minimale.
- N'utilisez que des pièces de rechange d'origine. L'utilisateur assume tous les risques s'il utilise des pièces qui ne correspondent pas aux spécifications minimales et aux dispositifs de sécurité du fabricant de la pompe.
- Respectez TOUJOURS les consignes du fabricant du matériau pour manipuler la peinture et les solvants en toute sécurité.
- Nettoyez immédiatement les matériaux tombés et le solvant déversé accidentellement, afin d'éviter les risques de glissade.
- Munissez-vous d'une protection auditive. Le bruit émis par cet appareil peut dépasser les 85 dB(A).
- Ne laissez jamais cet outil sans surveillance. Tenez-le hors de portée des enfants ou des personnes non familiarisées avec le fonctionnement des équipements sans air.
- Ne vaporisez pas à l'extérieur en cas de vent.
- L'appareil et tous ses liquides (p. ex., huile hydraulique) doivent être détruits sans danger pour l'environnement.

### 1.3 UTILISATION SUR UN TERRAIN INCLINÉ

La partie avant du groupe doit montrer vers le bas afin d'éviter un déplacement involontaire.

Sur les supports inclinés, l'appareil ne peut pas être utilisé, vu qu'il a tendance à migrer du fait des vibrations.

①



### 1.4 SÉCURITÉ EN ÉLECTRICITÉ

Les modèles électriques doivent être reliés à la terre. En cas de court-circuit électrique, la mise à la terre réduit les risques de choc électrique en fournissant un fil d'échappement pour le courant électrique. Ce produit est équipé d'un câble avec un fil de mise à la terre et une fiche de mise à la terre adaptée. Branchement au réseau seulement par un point d'alimentation spécial, par exemple par un disjoncteur à courant de défaut de INF < 30 mA.



**DANGER** — Les travaux ou réparations sur l'équipement électrique doivent être confiés uniquement à un électricien qualifié. Nous déclinons toute responsabilité en cas d'installation inappropriée. Arrêter l'appareil. Avant toutes réparations, tirer la fiche de la prise de courant.



Danger de court-circuit par la pénétration d'eau dans l'équipement électrique. Ne jamais nettoyer le matériel avec un jet d'eau ou de vapeur sous haute pression.

### 1.5 SÉCURITÉ DU MOTEUR À ESSENCE

1. Les moteurs à essence sont conçus pour offrir un service sûr et stable à condition d'être utilisés conformément aux instructions. Lisez attentivement et assurez-vous de bien comprendre le Manuel d'utilisateur du fabricant du moteur avant d'utiliser le moteur. Dans le cas contraire, vous pourriez vous blesser ou endommager l'équipement.
2. En vue d'éviter tout risque d'incendie et de fournir une ventilation adéquate, conservez le moteur à 1 mètre (3 pieds) minimum de tout bâtiment et de tout autre équipement pendant son fonctionnement. Ne placez pas d'objets inflammables à proximité du moteur.
3. Les personnes qui n'utilisent pas l'appareil doivent s'en éloigner afin d'éviter le risque de brûlures des composantes chaudes du moteur ou le danger de blessures provenant de l'équipement utilisé pour faire fonctionner l'appareil.

4. Sachez comment arrêter rapidement le moteur, et veillez à bien comprendre le fonctionnement de toutes les commandes. N'autorisez jamais personne à utiliser le moteur sans prendre connaissance des instructions adéquates.
5. L'essence est un produit extrêmement inflammable pouvant exploser sous certaines conditions.
6. Faites le plein d'essence dans une zone suffisamment ventilée, le moteur à l'arrêt. Ne fumez pas et évitez tout flamme ou étincelle dans la zone d'alimentation en essence ou dans le lieu où est stockée l'essence.
7. Ne remplissez pas trop le réservoir d'essence. Après avoir fait le plein d'essence, assurez-vous que le couvercle du réservoir est correctement et solidement refermé.
8. Faites attention à ne pas répandre de l'essence lors du remplissage du réservoir. Les vapeurs d'essence ou l'essence répandue sont susceptibles de s'enflammer. Si vous venez à déverser de l'essence, assurez-vous que la zone est bien sèche avant de mettre le moteur en marche.
9. Ne faites jamais fonctionner le moteur dans un espace clos ou confiné. L'échappement contient du monoxyde de carbone toxique ; toute exposition pourrait occasionner une perte de connaissance, voire entraîner la mort.
10. Le pot d'échappement devient extrêmement chaud pendant le fonctionnement et reste chaud pendant un certain moment même après l'arrêt du moteur. Veillez à ne pas toucher le pot d'échappement lorsqu'il est chaud. En vue d'éviter de sérieuses brûlures ou des risques d'incendie, laissez refroidir le moteur avant de le transporter ou de le ranger à l'intérieur.
11. Ne déplacez / transportez jamais le pulvérisateur lorsqu'il y a de l'essence dans le réservoir.



N'UTILISEZ PAS cet appareil pour pulvériser de l'eau ou de l'acide.

## 1.6 RAVITAILLEMENT (MOTEUR À ESSENCE)



L'essence est extrêmement inflammable et explosive dans certaines conditions.

## SPÉCIFICATIONS DU CARBURANT

- Utilisez une essence automobile ayant un indice d'octane d'au moins 86, ou un indice d'octane recherche d'au moins 91. L'utilisation d'une essence ayant un indice d'octane inférieur peut causer un « cognement » ou une « détonation » (un bruit d'ébranlage métallique) tenace qui, s'il est grave, peut endommager le moteur.



S'il y a un « cognement » ou une « détonation » à une vitesse constante avec une charge normale, utilisez une autre marque d'essence. Si vous obtenez toujours un cognement ou une détonation, consultez un distributeur agréé du fabricant de moteurs. Le fait de ne pas suivre cette directive constitue un abus. Les dommages causés par l'abus ne sont pas couverts par la garantie restreinte du fabricant du moteur.

Il se peut que vous entendiez parfois une détonation légère pendant le fonctionnement avec des charges lourdes. Il n'y a aucune raison de s'inquiéter, cela signifie simplement que votre moteur fonctionne de façon efficiente.

- L'essence sans plomb produit moins de dépôts du moteur et de la bougie, et rallonge la durée de vie des composantes du système d'échappement.
- Ne jamais utiliser de l'essence éventée ou contaminée, ou un mélange d'huile et d'essence. Évitez de laisser entrer de la saleté, de la poussière ou de l'eau dans le réservoir à essence.

### ESSENCES CONTENANT DE L'ALCOOL

Assurez-vous qu'elle a au moins un indice d'octane correspondant à celui qui est recommandé par le fabricant du moteur. N'utilisez pas un gasohol qui contient plus de 10 % d'éthanol.



Les dommages au système d'alimentation ou les problèmes de rendement du moteur découlant de l'utilisation d'essences contenant de l'alcool ne sont pas couverts par la garantie.

## 2 GÉNÉRALITÉS D'UTILISATION

### 2.1 DOMAINES D'UTILISATION

Le domaine principal d'utilisation est l'application de couches épaisses de produits visqueux sur grandes surfaces avec débit élevé.

Couches de fond et de finition de surfaces importantes, scellement, imprégnation, assainissement de bâtiments, protection et rénovation de façades, protection antirouille et de bâtiments, revêtement de toits, assainissement de béton, protection anticorrosion lourde.

#### EXEMPLES DE TRAVAUX

Génie civile, tours de refroidissement, ponts, stations d'épuration et toits plats.

#### TEMPÉRATURE DE FONCTIONNEMENT

Cet équipement fonctionnera correctement à sa température ambiante visée, entre +10°C et +40°C au moins.

#### HUMIDITÉ RELATIVE

Cet équipement fonctionnera correctement dans un milieu ayant une humidité relative de 50 %, à +40°C. Une humidité relative plus élevée peut être permise à des températures plus basses.

L'acheteur doit prendre des mesures afin d'éviter les effets destructeurs de la condensation accidentelle.

#### ALTITUDE


Cet équipement fonctionnera correctement jusqu'à 2 100 m au-dessus du niveau moyen de la mer.

#### TRANSPORT ET ENTREPOSAGE

Cet équipement résistera aux températures de transport et d'entreposage entre -25°C et +55°C et jusqu'à +70°C pour des périodes courtes, ou il est protégé pour résister à ces températures.

Son emballage prévient les dommages des effets de l'humidité, de la vibration et des coups normaux.

#### CONFIGURATION DU TUYAU RECOMMANDÉ

	<p>Pour des raisons de fonctionnement, de sécurité et de durée de vie, utiliser exclusivement des tuyaux flexibles à haute pression d'origine de Wagner.</p>
-------------------------------------------------------------------------------------	--------------------------------------------------------------------------------------------------------------------------------------------------------------

### 2.2 PRODUITS DE REVÊTEMENT

#### PRODUITS DE REVÊTEMENT UTILISABLES


Laques et peintures diluables à l'eau et solvantées, produits de revêtement à deux composants, dispersions, peintures latex.

Mise en œuvre d'autres produits seulement avec l'accord de Wagner.

	<p>Veiller à la qualité Airless des produits utilisés.</p>
-----------------------------------------------------------------------------------	------------------------------------------------------------

#### VISCOSITÉ

L'appareil permet de mettre en œuvre des produits de revêtement d'une viscosité jusqu'à 50.000 / 65.000 mPas. Si le débit de pulvérisation diminue fortement pour des produits de revêtement de haute viscosité, diluer conformément aux indications du fabricant.

	<p>Si le produit est remué avec un agitateur mécanique, éviter la formation de bulles d'air dans le produit qui pourraient entraîner des arrêts de fonctionnement.</p>
------------------------------------------------------------------------------------	------------------------------------------------------------------------------------------------------------------------------------------------------------------------

#### PRODUITS DE REVÊTEMENT AVEC ADDITIFS À ARÊTES VIVES

Ces particules exercent une forte action abrasive sur les vannes et la buse, ainsi que sur le pistolet de pulvérisation. La durée de vie de ces pièces d'usure en est fortement réduite.

#### PRODUITS À DEUX COMPOSANTS

Respecter scrupuleusement le temps d'utilisation correspondant (vie en pot). Rincer et nettoyer le matériel à l'intérieur de ce temps avec le produit de nettoyage adéquat.



#### FILTRATION

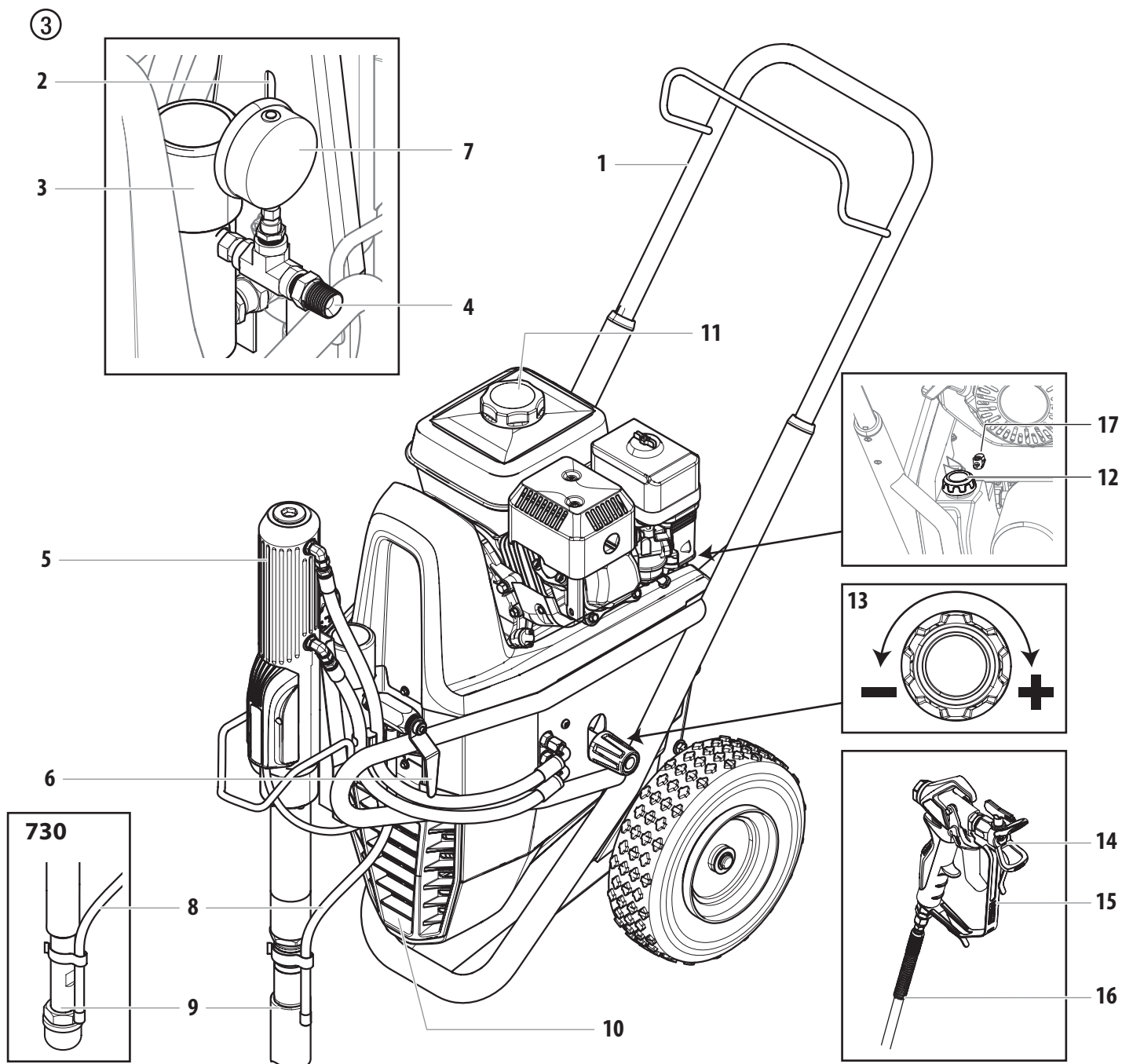
Une filtration suffisante est nécessaire pour un fonctionnement sans perturbation. L'appareil est muni d'un filtre d'aspiration, d'un filtre d'insertion dans le pistolet de pulvérisation et d'un filtre à haute pression. Un contrôle régulier de ces filtres pour détérioration ou encrassement est instamment recommandé.

En cas d'utilisation de ce pulvérisateur avec des produits texturés, il est essentiel de retirer le filtre à l'intérieur du pistolet pulvérisateur. Consultez la section 6.5.



### 3 DESCRIPTION DU MATÉRIEL

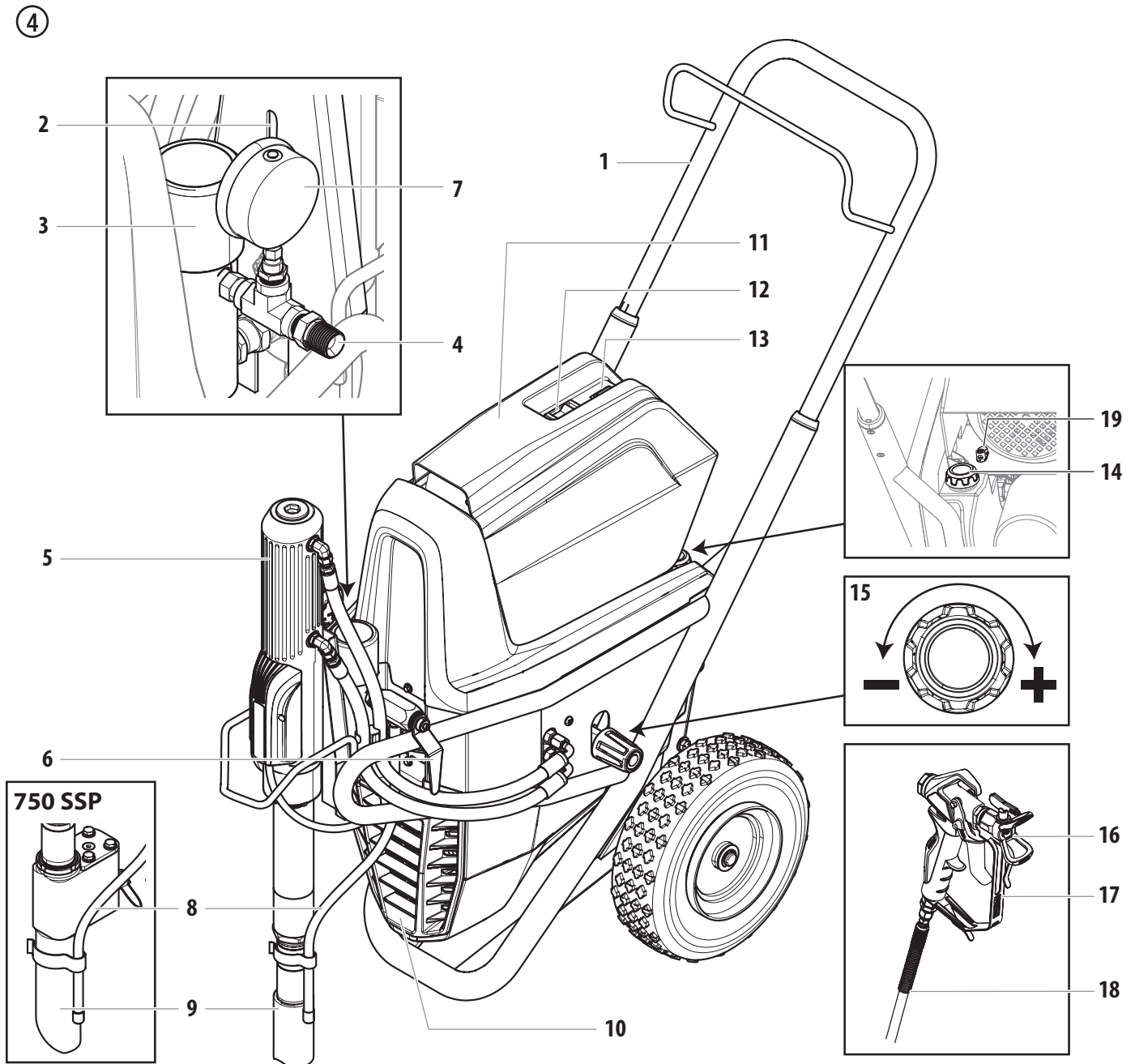
#### 3.1 ILLUSTRATION GROUPES HEAVYCOAT AVEC MOTEUR À ESSENCE

- |                                                                                                                |                                                                                                                                                                                                                                                                       |                                           |
|----------------------------------------------------------------------------------------------------------------|-----------------------------------------------------------------------------------------------------------------------------------------------------------------------------------------------------------------------------------------------------------------------|-------------------------------------------|
| 1. Timon extensible                                                                                            | 6. Poignée de la vanne de décharge<br>tourner à gauche  circulation<br>tourner à droite  projection | 11. Moteur à essence                      |
| 2. Ouverture de remplissage pour l'huile de balayage (l'huile de balayage empêche usure rapide des garnitures) | 7. Manomètre                                                                                                                                                                                                                                                          | 12. Jauge de niveau d'huile               |
| 3. Filtre à haute pression                                                                                     | 8. Tuyau de décharge                                                                                                                                                                                                                                                  | 13. Bouton de réglage de pression         |
| 4. Sortie du tuyau à haute pression                                                                            | 9. Tube du siphon                                                                                                                                                                                                                                                     | 14. Protecteur de buse avec buse sans air |
| 5. Moteur hydraulique                                                                                          | 10. Courroie trapézoïdale sous sa protection                                                                                                                                                                                                                          | 15. Pistolet de projection                |
|                                                                                                                |                                                                                                                                                                                                                                                                       | 16. Flexible haute pression               |
|                                                                                                                |                                                                                                                                                                                                                                                                       | 17. Barrette de mise à la masse           |



## 3.2 ILLUSTRATION GROUPES HEAVYCOAT AVEC MOTEUR ÉLECTRIQUE

- |                                                                                                                |                                                                                                                                                                                                                                                                       |                                                                      |
|----------------------------------------------------------------------------------------------------------------|-----------------------------------------------------------------------------------------------------------------------------------------------------------------------------------------------------------------------------------------------------------------------|----------------------------------------------------------------------|
| 1. Timon extensible                                                                                            | 6. Poignée de la vanne de décharge<br>tourner à gauche  circulation<br>tourner à droite  projection | 12. Interrupteur MARCHÉ/ARRÉT                                        |
| 2. Ouverture de remplissage pour l'huile de balayage (l'huile de balayage empêche usure rapide des garnitures) | 7. Manomètre                                                                                                                                                                                                                                                          | 13. Dès que la fiche de réseau est branchée, le voyant vert s'allume |
| 3. Filtre à haute pression                                                                                     | 8. Tuyau de décharge                                                                                                                                                                                                                                                  | 14. Jauge de niveau d'huile                                          |
| 4. Sortie du tuyau à haute pression                                                                            | 9. Tube du siphon                                                                                                                                                                                                                                                     | 15. Bouton de réglage de pression                                    |
| 5. Moteur hydraulique                                                                                          | 10. Courroie trapézoïdale sous sa protection                                                                                                                                                                                                                          | 16. Protecteur de buse avec buse sans air                            |
|                                                                                                                | 11. Moteur électrique                                                                                                                                                                                                                                                 | 17. Pistolet de projection                                           |
|                                                                                                                |                                                                                                                                                                                                                                                                       | 18. Flexible haute pression                                          |
|                                                                                                                |                                                                                                                                                                                                                                                                       | 19. Barrette de mise à la masse                                      |




**3.3 CARACTÉRISTIQUES TECHNIQUES**

	HeavyCoat 730 (gas)	HeavyCoat 750 (110V) HeavyCoat 750 (230V)	HeavyCoat 750 SSP (230V)	HeavyCoat 750 (gas)	HeavyCoat 770 (gas)
<b>Moteur à essence, puissance</b>					
Honda	163cc, 4.9 Hp, 3.6 kW	-----	-----	196cc, 5.6 Hp, 4.1 kW	270cc, 8.4 Hp, 6.2 kW
<b>Capacité du réservoir d'essence</b>					
	3,1 l	-----	-----	3,1 l	6,06 l
<b>Tension</b>					
110V	-----	~ 110V, 50/60 Hz	-----	-----	-----
230V	-----	~ 230V, 50/60 Hz	~ 230V, 50/60 Hz	-----	-----
<b>Puissance absorbée</b>					
	-----	3,1 kW	3,1 kW	-----	-----
<b>Cordon d'alimentation</b>					
	-----	3 x 2.5 mm <sup>2</sup> – 6 m	3 x 2.5 mm <sup>2</sup> – 6 m	-----	-----
<b>Fusible</b>					
	-----	15 A	15 A	-----	-----
<b>Pression de service maximale</b>					
	25 MPa (250 bar)	25 MPa (250 bar)	25 MPa (250 bar)	25 MPa (250 bar)	25 MPa (250 bar)
<b>Niveau sonore maximum</b>					
	92 dB (A)*	80 dB (A)*	80 dB (A)*	92 dB (A)*	98 dB (A)*
<b>Orifice de buse maximum avec un pistolet</b>					
1-pistolet	0,041" – 1,04 mm	0,043" – 1,09 mm	0,043" – 1,09 mm	0,047" – 1,19 mm	0,055" – 1,40 mm
2-pistolet	0,029" – 0,73 mm	0,031" – 0,79 mm	0,031" – 0,79 mm	0,033" – 0,84 mm	0,039" – 0,99 mm
3-pistolet	0,021" – 0,53 mm	0,023" – 0,58 mm	0,023" – 0,58 mm	0,027" – 0,68 mm	0,031" – 0,79 mm
4-pistolet	0,019" – 0,48 mm	0,021" – 0,53 mm	0,021" – 0,53 mm	0,023" – 0,58 mm	0,027" – 0,68 mm
<b>Débit maximum</b>					
	6,00 l/min	6,00 l/min	6,00 l/min	7,60 l/min	11,4 l/min
<b>Poids</b>					
	78 kg	85 kg	87 kg	81 kg	90 kg
<b>Système d'aspiration</b>					
	standard	submersible	piston à auget	submersible	submersible
<b>Viscosité maximale</b>					
	50.000 mPa·s			65.000 mPa·s	
<b>Encombrement longueur-largeur-hauteur</b>					
	1090 x 660 x 866 mm				
<b>Température maximale du produit</b>					
	43° C				
<b>Cartouche filtrante (équipement standard)</b>					
	50 mailles, 56 cm <sup>2</sup>	0 mailles, 56 cm <sup>2</sup>	50 mailles, 56 cm <sup>2</sup>	50 mailles, 56 cm <sup>2</sup>	5 mailles, 56 cm <sup>2</sup>
<b>Capacité d'huile hydraulique</b>					
	5,9 l (1,56 gal)				
<b>Pression maximale de gonflage des pneus</b>					
	0,2 MPa (2 bar, 30 PSI)				
<b>Configuration du tuyau recommandé</b>					
	DN 12 mm, 15 m, raccord NPSM 1/2, DN 6 mm, 60 m, raccord NPSM 1/4				

\* Lieu de mesure: à distance latérale de 1 m de l'appareil et 1,60 m au-dessus du sol, pression de service 12 MPa (120 bars), sol réverbérant.

### 3.4 TRANSPORT

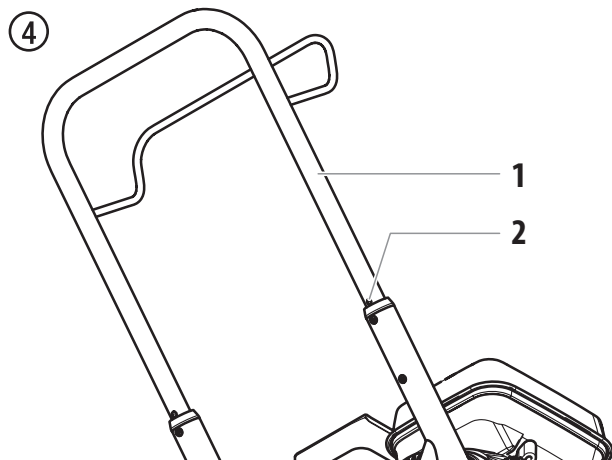
 <b>Attention</b>	<p>Ne vous servez pas de la poignée du chariot pour soulever lors du chargement ou du déchargement.</p> <p>L'appareil est très lourd. Trois personnes sont nécessaires pour les soulever.</p>
-------------------------------------------------------------------------------------------------------	-----------------------------------------------------------------------------------------------------------------------------------------------------------------------------------------------

#### TRANSPORT PAR VÉHICULE

Assurer le matériel par des moyens de fixation appropriés

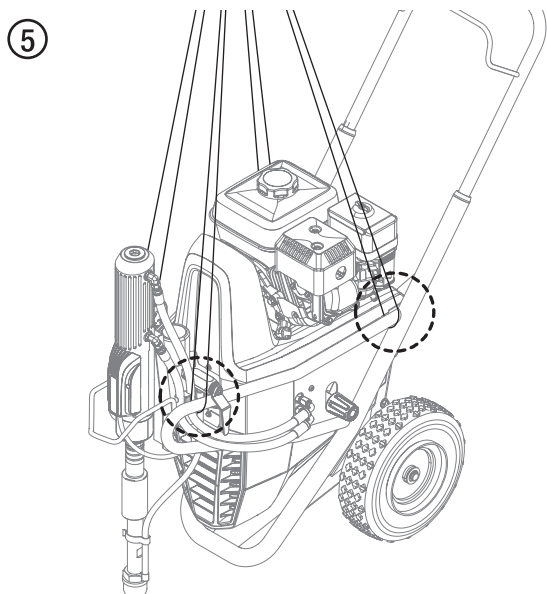
#### POUSSER OU TIRER LE MATÉRIEL

Sortir la poignée (fig. 4, pos. 1) en butée. Pour rentrer la poignée - enfoncer les boutons (2) sur les tubes du châssis, puis rentrer la poignée.




### 3.5 TRANSPORT PAR PALAN

Points d'accrochage des élingues ou cordes voir fig. 5.

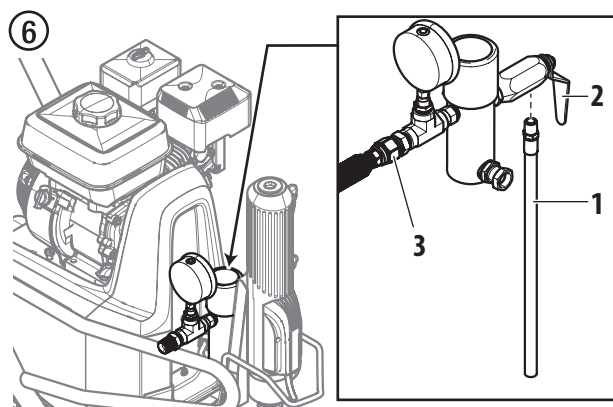


## 4 FONCTIONNEMENT


	<p>L'équipement produit un flot de fluides à extrêmement haute pression. Lisez et comprenez les avertissements de la section des Mesures de sécurité à l'avant du manuel avant d'utiliser l'équipement.</p>
-----------------------------------------------------------------------------------	-------------------------------------------------------------------------------------------------------------------------------------------------------------------------------------------------------------

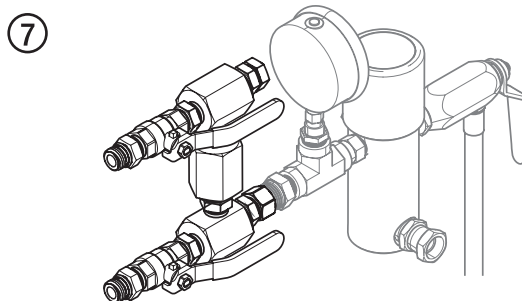
### 4.1 INSTALLATION

1. S'assurer que le tuyau de purge (fig. 6, article 1) est vissé dans la vanne de purge (2). Le raccord a été recouvert de ruban de PTFE à l'usine, il devrait donc être serré à l'aide d'une clé.
2. Attachez au moins 15 m de tuyau en nylon (3) du pistolet sans air au pulvérisateur. N'utilisez pas de ruban de PTFE ou de pâte d'étanchéité pour raccords filetés sur le raccord du tuyau de pulvérisation.



3. Attachez un pistolet de pulvérisation sans air au tuyau de pulvérisation. N'attachez pas encore la buse de pulvérisation au pistolet. Retirez la buse si elle se trouve déjà sur le pistolet.

	<p>Pour le fonctionnement à pistolets multiples, branchez un collecteur à pistolets multiples à la sortie du pistolet simple. Branchez un tuyau et un pistolet à chaque sortie. Assurez-vous que la sortie du second pistolet demeure branchée. Consultez les « Caractéristiques techniques » à la section 3.5 afin de déterminer le nombre de pistolets et la taille maximale de la buse de pulvérisation.</p>
-------------------------------------------------------------------------------------	-----------------------------------------------------------------------------------------------------------------------------------------------------------------------------------------------------------------------------------------------------------------------------------------------------------------------------------------------------------------------------------------------------------------



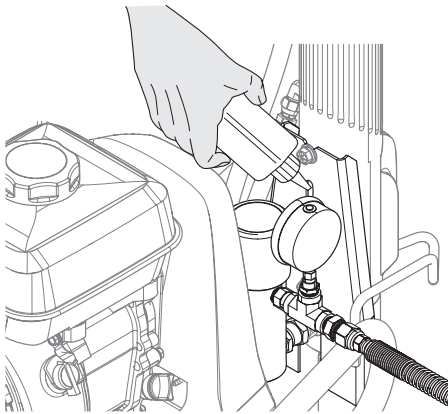


- Remplissez la coupelle d'huile à moitié avec de l'huile EasyGlide (n° de pièce 0508619), ceci permet d'accroître la durée de vie de l'équipement.



EasyGlide empêche l'usure prématurée des garnitures.

8



- Contrôlez tous les jours le niveau de fluide avant de lancer l'appareil. Le niveau de fluide hydraulique devrait toucher le bas de la jauge. Consultez les directives d'entretien du système hydraulique à la section Entretien du présent manuel.



Dans le système hydraulique, vous devez impérativement employer un liquide hydraulique approuvé par Wagner (n° de pièce 0555425). N'utilisez aucun autre liquide hydraulique, il pourrait gravement endommager le circuit hydraulique et annuler la garantie.

- Modèles du moteur à essence - Contrôlez tous les jours le niveau d'huile dans le réservoir avant de démarrer l'appareil. Le niveau d'huile du moteur à essence est déterminé par le fabricant du moteur. Consultez le manuel d'entretien du fabricant du moteur fourni avec ce modèle.
- Dans le cas des modèles électriques, utilisez une prise de courant de 15 ampères. Placez toujours le modèle électrique de 3 à 4,5 mètres de la prise de courant. Servez-vous d'un câble électrique court et d'un long tuyau de pulvérisation. L'ajout d'une rallonge électrique diminuera la tension. Si une rallonge est nécessaire, utilisez uniquement une rallonge mise à la terre à trois fils no 12.

- Vérifiez que l'appareil est bien relié à la terre. Tous les modèles sont équipés d'un œillet de mise à la terre. Un câble de mise à la terre doit être utilisé pour relier l'appareil à la terre. Vérifiez les réglementations locales sur l'électricité pour obtenir des consignes détaillées de mise à la terre.



Il est important de correctement relier l'appareil à la terre. Ceci vaut aussi bien pour les modèles à essence que les modèles électriques. Le passage de certains matériaux dans le tuyau en nylon produit une charge électrique statique qui peut enflammer les vapeurs de solvant lorsqu'elle est déchargée et peut créer une explosion.

- Filtrez toutes les peintures avec un filtre en nylon pour un fonctionnement sans problème et pour éviter d'avoir à nettoyer fréquemment le filtre interne et le filtre du pistolet.
- Vérifiez que la zone de vaporisation est bien ventilée pour empêcher tout fonctionnement dangereux avec des solvants volatiles ou des fumées d'échappement.



Si vous devez pulvériser du vernis-laque ou d'autres produits inflammables, placez TOUJOURS le pulvérisateur à l'extérieur de l'aire de pulvérisation, sinon, cela pourrait causer une explosion.

- Placez le pulvérisateur à l'extérieur de l'aire de pulvérisation afin d'éviter l'obstruction de la prise d'air du moteur ou la surpulvérisation.

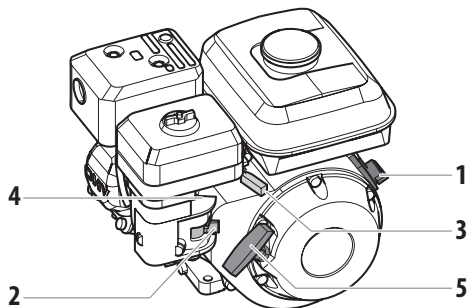
## 4.2 DÉMARRAGE DU MOTEUR (MOTEUR À ESSENCE)



Suivez ces consignes chaque fois que c'est indiqué dans le manuel pour démarrer le moteur.

1. Placez la manette de vanne de carburant (fig. 9, pos. 2) en position ouverte,
2. Placez le levier de papillon d'accélération (3) au milieu.
3. Placez le levier d'étranglement (4) en position fermée pour un moteur froid ou en position ouverte pour un moteur chaud.
4. Mettez la clé de contact (1) sur ON.
5. Tirez fermement sur la corde du démarreur (5) jusqu'à ce que le moteur démarre.

⑨



Si le levier d'étrangleur (4) a été mis en position fermée pour démarrer le moteur, il doit être déplacé à nouveau lorsque le moteur est en marche.

## 4.3 PRÉPARATION D'UN NOUVEAU VAPORISATEUR



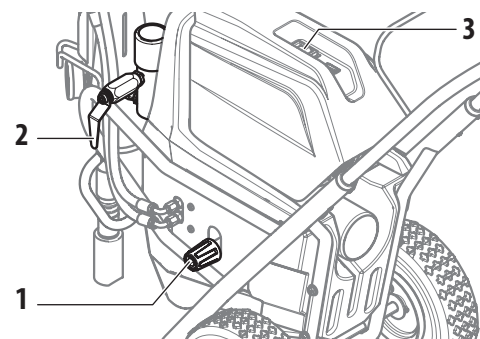
S'il s'agit d'un nouvel appareil, il est livré avec du liquide de test dans la section des liquides pour éviter la corrosion durant le transport et le stockage. Ce fluide doit être soigneusement vidangé du circuit à l'aide d'un produit de nettoyage approprié avant de commencer à vaporiser.



Verrouillez toujours la gâchette sur le pistolet vaporisateur pendant la préparation du circuit. Consultez les consignes du verrou de détente du mode d'emploi du pistolet de pulvérisation.



1. Placez le tuyau du siphon dans un conteneur un produit de nettoyage approprié.
2. Placez le tuyau de décharge dans un conteneur de déchets en métal.
3. Réglez la pression au minimum en tournant au maximum le bouton de réglage de pression (fig. 10, pos. 1) dans le sens inverse des aiguilles d'une montre.
4. Ouvrez la soupape de décharge (2) en la tournant complètement dans le sens inverse des aiguilles d'une montre.

⑩

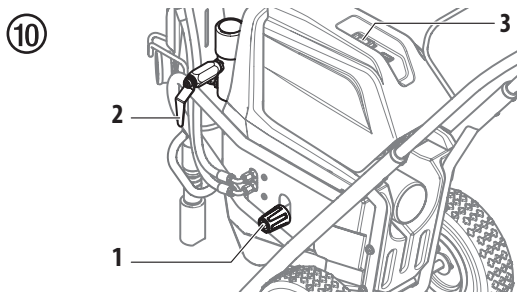


5. Démarrer le moteur à essence ou moteur électrique.
  - a. Pour démarrer le moteur à essence, suivez les étapes à la section 4.2.
  - b. Pour démarrer le moteur électrique, poussez et maintenez l'interrupteur à la position ON (3) (en marche) jusqu'à ce que le moteur électrique fonctionne à pleine vitesse, ensuite relâchez l'interrupteur.
6. Tournez le bouton de réglage de pression dans le sens des aiguilles d'une montre et vers le bas d'1/3 environ pour accroître la pression jusqu'à ce que les cycles de vaporisation soient réguliers et que le solvant s'écoule sans problème du tuyau de décharge.
7. Laissez le vaporisateur tourner pendant 15 à 30 secondes pour vidanger le liquide de test du tuyau de vidange vers le conteneur de déchets.
8. Éteignez l'appareil.
  - a. Pour éteindre le moteur à essence :
    - réglez la pression au minimum en tournant au maximum le bouton de réglage de pression dans le sens inverse des aiguilles d'une montre,
    - placez le levier de papillon d'accélération en position lente, et
    - tournez l'interrupteur du moteur sur OFF.
  - b. Afin d'éteindre le moteur électrique,
    - réglez la pression au minimum en tournant au maximum le bouton de réglage de pression dans le sens inverse des aiguilles d'une montre,
    - déplacez l'interrupteur pour qu'il soit en position ARRÊT.

#### 4.4 PRÉPARATION AVANT DE PEINDRE


	<p>Avant de peindre, il est important de s'assurer que le liquide du circuit est compatible avec la peinture qui va être utilisée.</p> <p>Les liquides et peintures incompatibles peuvent boucher les soupapes et obliger l'utilisateur à démonter et nettoyer la section des liquides du vaporisateur.</p>
 Attention	<p>Verrouillez toujours la gâchette sur le pistolet vaporisateur pendant la préparation du circuit. Consultez les consignes du verrou de détente du mode d'emploi du pistolet de pulvérisation.</p>

1. Placez le tuyau du siphon dans un conteneur du solvant approprié.
2. Placez le tuyau de décharge dans un conteneur de déchets en métal.
3. Réglez la pression au minimum en tournant au maximum le bouton de réglage de pression (fig. 10, pos. 1) dans le sens inverse des aiguilles d'une montre.
4. Ouvrez la soupape de décharge (2) en la tournant complètement dans le sens inverse des aiguilles d'une montre.




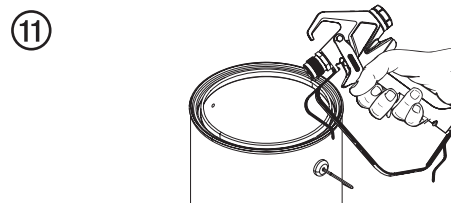
5. Démarrer le moteur à essence ou moteur électrique.
  - a. Pour démarrer le moteur à essence, suivez les étapes à la section 4.2.
  - b. Pour démarrer le moteur électrique, poussez et maintenez l'interrupteur à la position ON (3) (en marche) jusqu'à ce que le moteur électrique fonctionne à pleine vitesse, ensuite relâchez l'interrupteur.
6. Tournez le bouton de réglage de pression dans le sens des aiguilles d'une montre et vers le bas d'1/3 environ pour accroître la pression jusqu'à ce que les cycles de vaporisation soient réguliers et que le solvant s'écoule sans problème du tuyau de décharge.
7. Laissez le vaporisateur tourner pendant 15 à 30 secondes pour vidanger le liquide de test du tuyau de vidange vers le conteneur de déchets.
8. Éteignez l'appareil.
  - a. Pour éteindre le moteur à essence :
    - réglez la pression au minimum en tournant au maximum le bouton de réglage de pression dans le sens inverse des aiguilles d'une montre,
    - placez le levier de papillon d'accélération en position lente, et

- tournez l'interrupteur du moteur sur OFF.
- b. Afin d'éteindre le moteur électrique,
- réglez la pression au minimum en tournant au maximum le bouton de réglage de pression dans le sens inverse des aiguilles d'une montre,
- déplacez l'interrupteur pour qu'il soit en position ARRÊT.


	<p>Assurez-vous qu'aucun embout ou protecteur d'embout n'est installé sur le pistolet vaporisateur.</p>
-----------------------------------------------------------------------------------	---------------------------------------------------------------------------------------------------------

9. Fermez la soupape de décharge en la tournant complètement dans le sens des aiguilles d'une montre.
10. Démarrer le moteur à essence ou moteur électrique.
11. Tournez le bouton de réglage de pression dans le sens des aiguilles d'une montre et vers le bas d'1/3 environ pour accroître la pression.
12. Débloquez le pistolet en faisant passer la gâchette du pistolet vers la position de déblocage.

	<p>Reliez le pistolet à la terre en le maintenant contre le bord du conteneur en métal lors du rinçage. Si cette précaution n'est pas respectée, il peut se former une décharge électrique statique pouvant à son tour provoquer un incendie.</p>
-----------------------------------------------------------------------------------	---------------------------------------------------------------------------------------------------------------------------------------------------------------------------------------------------------------------------------------------------



13. Déclenchez le pistolet dans le conteneur de déchets en métal jusqu'à ce que le solvant usagé soit vidangé et que du solvant frais sorte du pistolet.
14. Verrouillez le pistolet en tournant le verrou de la détente à la position verrouillée (consultez le manuel du pistolet de pulvérisation).
15. Augmentez la pression en tournant lentement et au maximum le bouton de réglage de pression dans le sens des aiguilles d'une montre.
16. Vérifiez si le système ne présente pas de fuite. En cas de fuite, suivez la « Procédure de décharge de pression » décrite dans ce manuel avant de serrer les raccords ou les tuyaux.
17. Suivez la « Procédure de décharge de pression » (section 4.6) décrite dans ce manuel avant de passer du solvant à la peinture.

	<p>Assurez-vous de bien suivre la Procédure de décharge de pression lorsque vous arrêtez l'appareil pour une raison quelconque, y compris lors de l'entretien ou du réglage d'une pièce du circuit de vaporisation, du remplacement ou du nettoyage des embouts de vaporisation, ou lors de la préparation au nettoyage.</p>
-------------------------------------------------------------------------------------	------------------------------------------------------------------------------------------------------------------------------------------------------------------------------------------------------------------------------------------------------------------------------------------------------------------------------

## 4.5 PEINTURE

1. Placez le tuyau de siphon dans un conteneur de peinture.
2. Placez le tuyau de décharge dans un conteneur de déchets en métal.
3. Réglez la pression au minimum en tournant au maximum le bouton de réglage de pression (fig. 10, pos. 1) dans le sens inverse des aiguilles d'une montre.
4. Ouvrez la soupape de décharge (2) en la tournant complètement dans le sens inverse des aiguilles d'une montre.
5. Démarrer le moteur à essence ou moteur électrique.
  - a. Pour démarrer le moteur à essence, suivez les étapes à la section 4.2.
  - b. Pour démarrer le moteur électrique, poussez et maintenez l'interrupteur à la position ON (3) (en marche) jusqu'à ce que le moteur électrique fonctionne à pleine vitesse, ensuite relâchez l'interrupteur.
6. Tournez le bouton de réglage de pression dans le sens des aiguilles d'une montre et vers le bas d'1/3 environ pour accroître la pression jusqu'à ce que les cycles de vaporisation soient réguliers et que la peinture s'écoule sans problème du tuyau de décharge.
7. Éteignez l'appareil.
  - a. Pour éteindre le moteur à essence :
    - réglez la pression au minimum en tournant au maximum le bouton de réglage de pression dans le sens inverse des aiguilles d'une montre,
    - placez le levier de papillon d'accélération en position lente, et
    - tournez l'interrupteur du moteur sur OFF.
  - b. Afin d'éteindre le moteur électrique,
    - réglez la pression au minimum en tournant au maximum le bouton de réglage de pression dans le sens inverse des aiguilles d'une montre,
    - déplacez l'interrupteur pour qu'il soit en position ARRÊT.
8. Démontez le tuyau de purge du conteneur de déchets et placez-le dans le conteneur de peinture.
9. Fermez la vanne de purge en la tournant au maximum, dans le sens des aiguilles d'une montre.
10. Démarrer le moteur à essence ou moteur électrique.
11. Tournez le bouton de réglage de pression dans le sens des aiguilles d'une montre et vers le bas d'1/3 environ pour accroître la pression.
12. Débloquez le pistolet en faisant passer la gâchette du pistolet vers la position de déblocage.



Reliez le pistolet à la terre en le maintenant contre le bord du conteneur en métal lors du rinçage. Si cette précaution n'est pas respectée, il peut se former une décharge électrique statique pouvant à son tour provoquer un incendie.

13. Déclenchez le pistolet dans le conteneur de déchets en métal jusqu'à ce que le solvant et l'air soient vidangés et que de la peinture sorte du pistolet.
14. Bloquez le pistolet en faisant passer la gâchette du pistolet vers la position de blocage (fig. 10).
15. Éteignez l'appareil.
16. Fixez la protection d'embout au pistolet comme indiqué sur la protection d'embout ou sur les manuels d'embouts.



**RISQUE ÉVENTUEL D'INJECTION.** Ne vaporisez pas si la protection d'embout n'est pas montée. Ne déclenchez jamais le pistolet si l'embout n'est pas en position de vaporisation ou débouché. Engagez toujours le verrouillage de la gâchette du pistolet avant de démonter, de remplacer ou de nettoyer l'embout.

17. Démarrer le moteur à essence ou moteur électrique.
18. Augmentez la pression en tournant lentement le bouton de réglage de la pression dans le sens des aiguilles d'une montre et testez la forme de vaporisation sur un bout de carton. Ajustez le bouton de réglage de pression jusqu'à ce que le pistolet soit complètement atomisé.



Si vous augmentez la pression au-delà de la pression nécessaire pour atomiser la peinture, vous pouvez provoquer une usure prématurée des embouts et une vaporisation excessive.

## 4.6 PROCÉDURE DE DÉCHARGE DE PRESSION



Assurez-vous de bien suivre la procédure de décharge de pression lorsque vous arrêtez l'appareil pour une raison quelconque, y compris lors de l'entretien ou du réglage d'une pièce du circuit de vaporisation, du remplacement ou du nettoyage des embouts de vaporisation ou lors de la préparation au nettoyage.

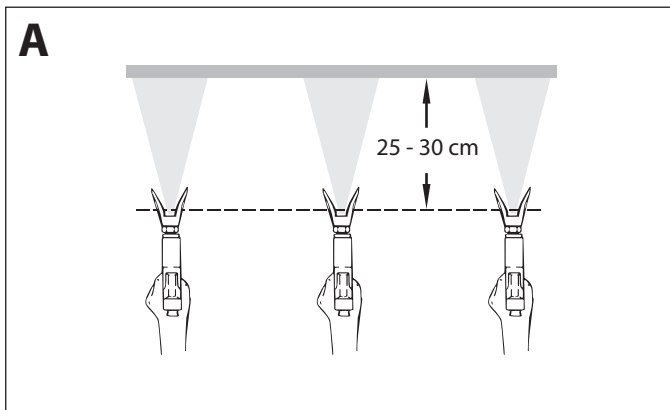
1. Bloquez le pistolet en faisant passer la gâchette du pistolet vers la position de blocage.
2. Éteignez l'appareil.
  - a. Pour éteindre le moteur à essence :
    - réglez la pression au minimum en tournant au maximum le bouton de réglage de pression dans le sens inverse des aiguilles d'une montre,
    - placez le levier de papillon d'accélération en position lente,
    - tournez l'interrupteur du moteur sur OFF.
  - b. Afin d'éteindre le moteur électrique,
    - réglez la pression au minimum en tournant au maximum le bouton de réglage de pression dans le sens inverse des aiguilles d'une montre,
    - déplacez l'interrupteur pour qu'il soit en position ARRÊT.
3. Débloquez le pistolet en faisant passer la gâchette du pistolet vers la position de déblocage (consultez le manuel du pistolet de pulvérisation).
4. Maintenez fermement la partie métallique du pistolet contre un conteneur de déchets en métal pour décharger l'électricité statique du pistolet.
5. Enclenchez le pistolet pour éliminer toute pression résiduelle dans le tuyau.
6. Bloquez le pistolet en faisant passer la gâchette du pistolet vers la position de blocage.
7. Placez le tuyau de décharge dans un conteneur de déchets en métal.
8. Ouvrez la vanne de purge en la tournant au maximum dans le sens contraire des aiguilles d'une montre.

## 5 PULVÉRISATION

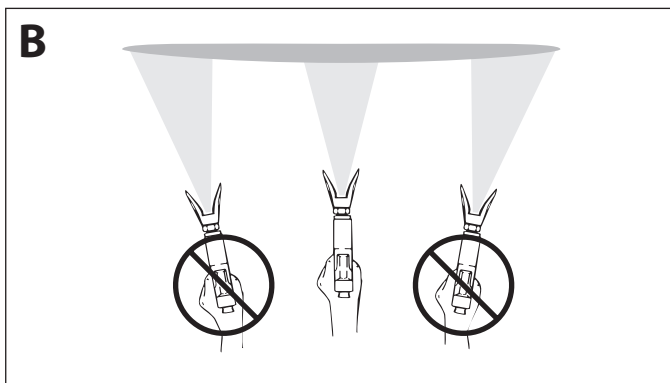


Risque d'injection. Ne pulvérisez pas sans avoir installé au préalable le protège-embout. N'appuyez JAMAIS sur la gâchette du pistolet si l'embout n'est pas sur la position de pulvérisation ou de débouchage. Bloquez toujours la gâchette du pistolet avant d'enlever, de remplacer ou de nettoyer l'embout.

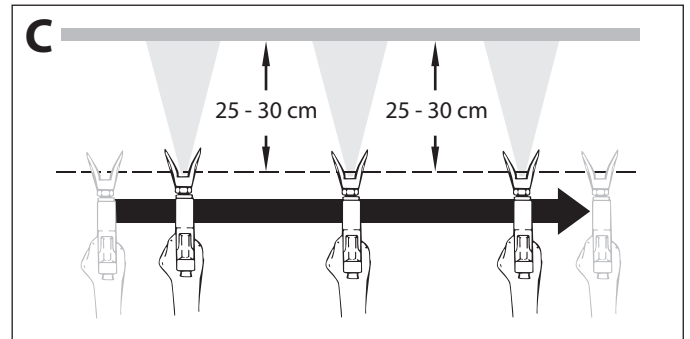
- A)** Le secret pour réaliser un bon travail de peinture est d'appliquer une couche homogène sur toute la surface. Déplacez votre bras à une vitesse constante et maintenez le pistolet de pulvérisation à une distance régulière de la surface. La meilleure distance de pulvérisation entre l'embout et la surface est de 25-30 cm.



- B)** Maintenez le pistolet de pulvérisation à angle droit par rapport à la surface. Pour ce faire, vous devez faire des allers-retours avec tout le bras au lieu de simplement plier le poignet. Maintenez le pistolet de pulvérisation perpendiculaire à la surface pour que la couche ne soit pas plus épaisse d'un côté que de l'autre.



- C)** Actionnez le pistolet après avoir commencé le passage. Relâchez la gâchette avant la fin du passage. Le pistolet pulvérisateur doit être en mouvement au moment d'appuyer sur la gâchette ou de la relâcher. Faites chevaucher les passages sur environ 30 %, pour garantir une couche uniforme.



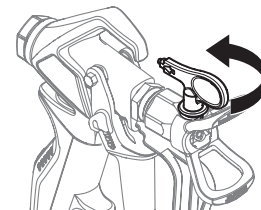
- i** Si les bords de projection sont trop nets ou s'il y a des bandes dans le jet, il faut soit augmenter la pression de projection soit diluer davantage le produit.

### 5.1 NETTOYAGE D'UNE BUSE OBSTRUÉE

- i** Si la répartition de la pulvérisation devient déformée ou s'arrête complètement en appuyant sur la détente, suivre les étapes ci-dessous.

- Ouvrir la vanne de décharge à la position PRIME (↻ circulation).
- Si la buse est obstruée, faites tourner la poignée de la buse à 180° jusqu'à ce que la flèche figurant sur la poignée indique l'opposé de la direction de pulvérisation et que la poignée s'enclenche en position inversée (fig. 12).
- Fermer la vanne de décharge, position SPRAY (↗ projection).



11





- Appuyez une fois sur la détente du pistolet pour que la pression débouche la buse. N'appuyez JAMAIS deux fois de suite sur la détente lorsque la buse est dans la position inversée. Cette procédure peut être répétée jusqu'à ce que la buse ne soit plus obstruée.

- ⚠** Le flux sortant de la buse de pulvérisation est à très forte pression. Tout contact avec une quelconque partie du corps peut s'avérer dangereux. Ne mettez pas de doigt sur l'embout du pistolet. Ne visez personne avec le pistolet. N'utilisez jamais le pistolet pulvérisateur sans disposer du protège-embout approprié.



## 5.2 INTERRUPTIONS DE TRAVAIL

	Suivez ces étapes si vous arrêtez de pulvériser pendant jusqu'à 20 heures. Suivez ces étapes seulement si vous avez utilisé des produits à pulvériser au latex ou à l'eau.
	Si vous remplacez tout simplement le récipient de produit, tournez le bouton de commande de pression complètement dans le sens contraire des aiguilles d'une montre au minimum avant de changer le récipient de produit.  Tournez le bouton de commande de pression dans le sens des aiguilles d'une montre à la position précédente lorsque vous êtes prêt à recommencer la pulvérisation.

1. Suivez la « Procédure de décharge de pression » décrite au paragraphe Fonctionnement de ce manuel (section 4.6).
2. Placez le pistolet de pulvérisation dans un sac en plastique, ou déposez-le dans un seau d'eau.
3. Laissez le tube d'aspiration et le tuyau de retour immergés dans le matériau de revêtement ou immergez-les dans un agent de nettoyage correspondant.
4. Recouvrez le matériau de revêtement de plastique et placez l'appareil dans un endroit frais et ombragé pour empêcher le matériau de s'assécher.

 Attention	Lors de la mise en œuvre de peintures à séchage rapide ou d'un produit à deux composants, rincer sans faute le groupe à l'intérieur du temps d'utilisation avec le produit de nettoyage adéquat.
	Lorsque vous êtes à nouveau prêt à pulvériser, enlevez le plastique du récipient de matériau et redémarrez le pulvérisateur en suivant les étapes décrites à la section 4.4.

## 5.3 MANIPULATION DU FLEXIBLE À HAUTE PRESSION




	L'appareil est muni d'un tuyau à haute pression conçu spécialement pour les pompes sans air.
	Ne jamais utiliser un flexible défectueux. Danger de blessure!  Ne jamais essayer de réparer un flexible endommagé!

Le tuyau flexible haute pression doit être traité avec soin. Il faut éviter de trop plier le flexible; le plus petit rayon ne doit pas être inférieur à 20 cm.



Protéger le flexible contre le passage de véhicules et éviter le frottement sur des arêtes vives.

Ne jamais tirer sur le flexible à haute pression pour déplacer l'appareil.

Faire attention à ne pas tordre le flexible à haute pression. Cela peut être évité en utilisant un pistolet pulvérisateur de Wagner avec une articulation pivotante et un dévidoir de tuyau.

	Pour la manipulation du tuyau flexible haute pression lors de travaux sur un échafaudage, il s'est avéré comme le plus avantageux de toujours laisser le tuyau flexible du côté extérieur de l'échafaudage.
	Le risque d'endommagements s'accroît dans le cas des vieux flexibles à haute pression. Wagner recommande de remplacer le flexible à haute pression au bout de 6 ans.
	Pour des raisons de fonctionnement, de sécurité et de durée de vie, utiliser exclusivement des tuyaux flexibles à haute pression d'origine de Wagner.

## 6 NETTOYAGE


 <b>Attention</b>	<p>Le pulvérisateur, le tuyau et le pistolet doivent être soigneusement nettoyés tous les jours après utilisation. Le non-respect de ces consignes peut mener à une agglutination du matériau et donc considérablement endommager la performance de l'appareil.</p>
	<p>Lorsque vous utilisez des essences minérales ou tout autre solvant pour nettoyer le vaporisateur, le tuyau ou le pistolet, vaporisez toujours à la pression minimale avec l'embout du pistolet démonté. L'accumulation d'électricité statique peut entraîner un incendie ou une explosion en présence de vapeurs inflammables.</p>

### 6.1 CONSIGNES SPÉCIALES DE NETTOYAGE LORS DE L'UTILISATION AVEC DES SOLVANTS INFLAMMABLES

- Rincez toujours le pistolet pulvérisateur de préférence à l'extérieur et au moins à une longueur de tuyau de la pompe de pulvérisation.
- Si vous recueillez les solvants vidangés dans un conteneur en métal d'un gallon (environ 3,780 litres), placez celui-ci dans un conteneur vide de 5 gallons (environ 19 litres), puis vidangez les solvants.
- La zone doit être totalement débarrassée de vapeurs inflammables.
- Respectez toutes les consignes de nettoyage.


### 6.2 NETTOYAGE DU PULVÉRISATEUR

1. Suivez la « Procédure de décharge de pression » décrite au paragraphe Fonctionnement de ce manuel (section 4.6).
2. Démontez l'embout du pistolet et la protection d'embout puis procédez au nettoyage en utilisant une brosse et un solvant approprié.
3. Placez le tuyau du siphon dans un conteneur du solvant approprié.


 <b>Attention</b>	<p>Utilisez des solvants compatibles lors du nettoyage. Vérifiez auprès du fabricant du liquide le solvant recommandé pour ce liquide.</p>
---------------------------------------------------------------------------------------------------------	--------------------------------------------------------------------------------------------------------------------------------------------

4. Placez le tuyau de décharge dans un conteneur de déchets en métal.
5. Réglez la pression au minimum en tournant au maximum le bouton de réglage de pression dans le sens inverse des aiguilles d'une montre.
6. Ouvrez la vanne de purge (3) en la tournant au maximum, dans le sens contraire des aiguilles d'une montre.
7. Démarrer le moteur à essence ou moteur électrique.


8. Laissez le solvant circuler dans l'appareil et vidangez la peinture par le tuyau de purge dans le conteneur de déchets en métal.
9. Arrêter le matériel OFF (ARRET).
10. Fermez la vanne de purge en la tournant au maximum, dans le sens des aiguilles d'une montre.
11. Démarrer le moteur à essence ou moteur électrique.

	<p>Reliez le pistolet à la terre en le maintenant contre le bord du conteneur en métal lors du rinçage. Si cette précaution n'est pas respectée, il peut se former une décharge électrique statique pouvant à son tour provoquer un incendie.</p>
-----------------------------------------------------------------------------------	---------------------------------------------------------------------------------------------------------------------------------------------------------------------------------------------------------------------------------------------------



12. Déclenchez le pistolet dans le conteneur de déchets en métal jusqu'à ce que la peinture soit vidangée et que du solvant sorte du pistolet.
13. Continuez à déclencher le pistolet dans le conteneur de déchets en métal jusqu'à ce que le solvant sortant du pistolet soit propre.

	<p>Pour un stockage prolongé ou dans des conditions climatiques froides, pompez de l'essence minérale dans tout le circuit.</p>
------------------------------------------------------------------------------------	---------------------------------------------------------------------------------------------------------------------------------

14. Suivez la « Procédure de décharge de pression » décrite au paragraphe Fonctionnement de ce manuel.
15. Conservez l'outil dans un endroit sec et propre.

 <b>Attention</b>	<p>Ne stockez pas l'appareil sous pression.</p>
---------------------------------------------------------------------------------------------------------	-------------------------------------------------

### 6.3 NETTOYAGE EXTÉRIEUR DU GROUPE

	<p>Modèles électriques - Assurez-vous que le cordon d'alimentation est débranché pour éviter un choc électrique.</p>
 <b>Attention</b>	<p>Danger de court-circuit par la pénétration d'eau! Ne jamais utiliser un jet ou de la vapeur sous pression pour le nettoyage.</p>
	<p>Ne pas placer le flexible à haute pression dans du solvant. Essuyer l'extérieur uniquement avec un chiffon imprégné.</p>

Nettoyer l'extérieur du groupe à l'aide d'un chiffon imbibé du produit de nettoyage adéquat.

## 6.4 NETTOYAGE DE LA CRÉPINE

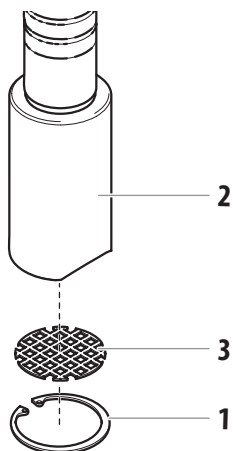


Des filtres propres assurent toujours un débit maximum, une pression de projection constante ainsi qu'un fonctionnement correct du matériel.

### SYSTÈME D'ASPIRATION SUBMERSIBLE

1. La crépine s'obstrue et doit être nettoyée au moins une fois par jour.
2. Retirer l'anneau de retenue (fig. 13, article 1) du logement de clapet de pied (2).
3. Retirer la crépine d'aspiration (3) du logement de clapet de pied (2).
4. Nettoyez-le soigneusement avec le solvant adéquat.

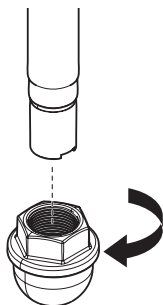
13



### SYSTÈME D'ASPIRATION STANDARD

1. Dévisser la crépine (fig. 14) du tube d'aspiration.
  2. Nettoyer ou remplacer la crépine.
- Effectuer le nettoyage à l'aide d'un pinceau dur et d'un produit de nettoyage correspondant.

14



## 6.5 NETTOYAGE DU PISTOLET AIRLESS

1. Rincer le pistolet Airless à faible pression de service avec le produit de nettoyage adéquat.
2. Nettoyer soigneusement la buse avec le produit adéquat de manière à éliminer les restes de produit.
3. Nettoyer soigneusement l'extérieur du pistolet.

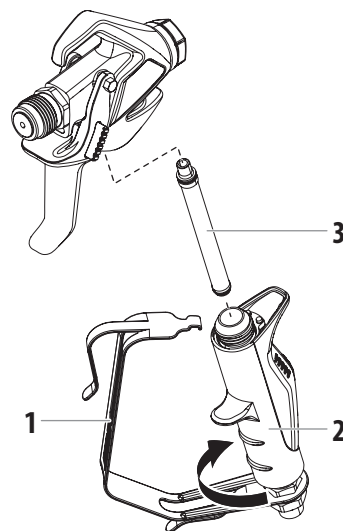


Nettoyez le pistolet de pulvérisation après chaque utilisation.

### TAMIS DE CROSSE DANS LE PISTOLET AIRLESS (FIG. 15)

1. Détachez le dessus du pontet (1) de la tête du pistolet.
2. En se servant de la partie inférieure du pontet comme clé, desserrez et enlevez l'ensemble de la poignée (2) de la tête du pistolet.
3. Extrayez le filtre (3) usagé de la tête du pistolet. Nettoyez ou remplacez.
4. Faites glisser le nouveau filtre, la partie filetée en premier, dans la tête du pistolet.
5. Placez le joint de la poignée dans la tête du pistolet avec la partie plate du joint vers la tête du pistolet. Serrez à l'aide de la clé de la détente.
6. Enclenchez à nouveau le pontet sur la tête du pistolet.

15





## 7 ENTRETIEN



Avant de continuer, suivez la procédure de réduction de pression précédemment exposée dans ce manuel. Respectez également tous les autres avertissements afin de minimiser les risques de blessures dus à des projections ou à des pièces mobiles ou les risques de décharge électrique. Débranchez toujours le pulvérisateur avant de procéder à son entretien !

### 7.1 ENTRETIEN QUOTIDIEN

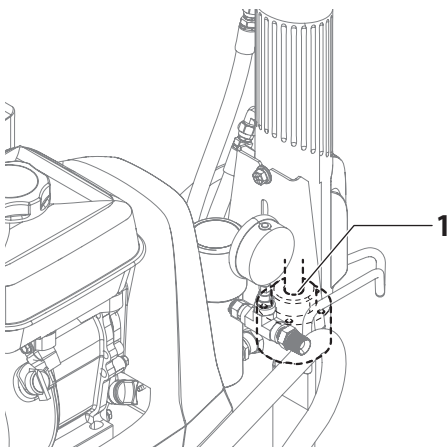
Deux procédures quotidiennes sont requises afin de procéder à l'entretien régulier de ce pulvérisateur.

- A. Lubrification des garnitures supérieures (section 7.2).
- B. Nettoyage de la crépine (section 6.4).

### 7.2 LUBRIFICATION DES GARNITURES SUPÉRIEURES

1. Ôtez la peinture qui a coulé derrière les garnitures supérieures dans le collecteur d'huile (fig. 16, pos. 1) situé au-dessus de la section des liquides.
2. Remplissez le collecteur d'huile à moitié avec de l'huile EasyGlide (n° de pièce 0508619) fournie par le fabricant. Cela permet d'accroître la durée de vie de l'équipement.

16



Ne remplissez pas trop le collecteur d'huile de façon à éviter que l'huile ne déborde et ne se déverse dans la peinture.

### 7.3 ENTRETIEN DU FILTRE



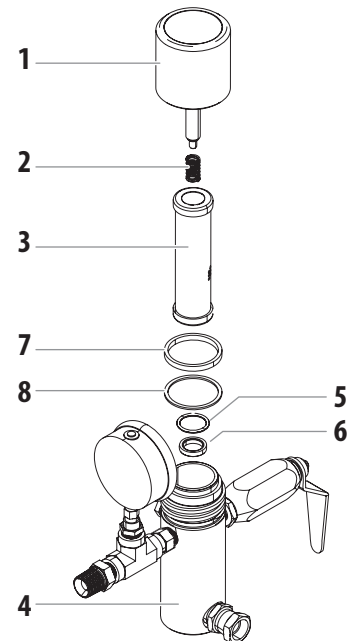
Nettoyez régulièrement le filtre. Les filtres sales ou obstrués peuvent réduire de manière considérable la capacité filtrante de l'appareil et occasionner un certain nombre de problèmes dans le système (faible pulvérisation, buses obstruées, etc).

#### NETTOYAGE (FIG. 17)

Pour nettoyer le filtre, veuillez suivre la procédure qui suit :

1. Suivez la « Procédure de décharge de pression » décrite au paragraphe Fonctionnement du présent manuel.
2. Ôte le bouchon (1) et le ressort (2) du filtre.
3. Ôtez l'élément à bille (3) du filtre par le haut du corps du filtre (4).
4. Nettoyez à l'intérieur du corps du filtre, l'élément à bille et le bouchon au moyen d'un solvant approprié.

17



Manipulez les pièces avec soin car toute impureté, saleté, rayure ou encoche peut empêcher les joints toriques ou les joints d'adhérer.

Cet élément filtre depuis l'intérieur vers l'extérieur. Veillez à nettoyer soigneusement l'intérieur de l'élément du filtre. Trempez-le dans le solvant de manière à ramollir la peinture sèche ou remplacez-le.

**INSPECTION (FIG. 17)**

Inspectez toutes les pièces du filtre avant de le remonter.

1. Inspectez la bille à l'intérieur de l'élément du filtre. Si la bille présente des coupures ou des rayures liées à la pression, remplacez l'élément du filtre.
  - a. Si la bille est coupée, retirez le joint torique en PTFE (5) à l'aide d'un extracteur de joint torique et retirez le siège en carbure (6).
  - b. Vérifiez que le siège ne comporte ni encoches ni rainures. Si le siège est endommagé, remplacez-le.



Si vous le retirez, le joint torique en PTFE sera endommagé et devra être remplacé.

2. Retirez le ressort (2) de son guide situé dans le bouchon du filtre.
  - a. Mesurez la longueur du ressort non comprimé. S'il mesure moins de 1,9 cm (3/4") d'une extrémité à l'autre, remplacez-le.
  - b. Poussez le ressort dans son guide afin qu'il s'enclenche à sa place.
3. Inspectez les deux joints en PTFE (7,8) et le joint torique en PTFE (5) afin de détecter toute éventuelle déformation, encoche ou coupure. Le cas échéant, remplacez-les.



Les joints en PTFE, le joint torique en PTFE et le ressort sont inclus dans le Kit de maintenance du filtre n° de pièce 930-050.

**REMONTAGE (FIG. 17)**

Après avoir nettoyé et inspecté toutes les pièces, rassemblez le filtre.

1. Placez le siège en carbure (6) dans le corps du filtre (4). Assurez-vous que le côté biseauté du siège est dirigé vers le haut.
2. Placez le joint torique en PTFE (5) dans la rainure du diamètre extérieur du siège en carbure (6).
3. Placez l'élément à bille (3) dans le corps du filtre (4).



Le haut et le bas de l'élément à bille sont identiques.

4. Si ce n'est déjà fait, poussez le ressort (2) dans son guide situé dans le bouchon du filtre (1) jusqu'à ce qu'il s'enclenche à sa place.
5. Placez le joint en PTFE (8) fin sur le pas en haut du corps du filtre (4).
6. Placez le joint en PTFE (7) épais sur le joint fin (8).
7. Serrez le bouchon du filtre (1) au corps du filtre (4).

**7.4 ENTRETIEN DU SYSTÈME HYDRAULIQUE**

Attention

Dans le système hydraulique, vous devez impérativement employer un liquide hydraulique approuvé par Wagner (n° de pièce 0555425). N'utilisez aucun autre fluide hydraulique. L'emploi de tout autre fluide hydraulique risque de gravement endommager le système hydraulique et annulera la garantie.

1. Vérifiez le liquide fluide hydraulique tous les jours. Le niveau de fluide hydraulique devrait toucher le bas de la jauge (1). Si le bout est sec, ajoutez du fluide hydraulique de Wagner (no de pièce 0555425) uniquement. N'ajoutez ni ne changez le fluide hydraulique si vous n'êtes pas dans un lieu propre dénué de poussière. La pollution du fluide hydraulique diminue la durée de vie de la pompe hydraulique et annule la garantie.

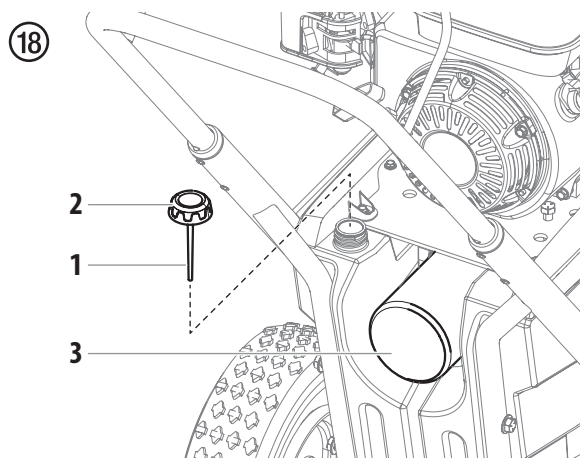


Assurez-vous de placer l'appareil sur une surface plate au moment de vérifier le niveau de fluide hydraulique.



Le liquide hydraulique doit être changé tous les douze mois. Pour cela, contactez le SAV WAGNER.

2. Le système hydraulique est doté d'un filtre hydraulique (Fig. 18, pos. 3) externe remplaçable. Changez le filtre tous les douze mois.
3. L'entretien de la pompe hydraulique ne doit pas s'effectuer sur place. Si l'entretien de la pompe hydraulique est nécessaire, la pompe doit être retournée à un centre de services Wagner autorisé.





## 7.5 ENTRETIEN DE LA SECTION DES FLUIDES

Si le pulvérisateur doit ne pas être utilisé pendant une longue période, il est conseillé, suite au nettoyage, d'introduire un mélange de kérosène et huile faisant office de conservateur. Les garnitures tendent à sécher lorsqu'elles ne sont pas utilisées. Cela s'applique notamment à l'ensemble des garnitures supérieures pour lesquelles il est recommandé de recourir à EasyGlide (n° de pièce 0508619) pour une utilisation normale.

Si le pulvérisateur n'a pas été utilisé pendant une longue période, il peut s'avérer utile d'amorcer la pompe avec un solvant. Il est extrêmement important que les filets du raccord du tuyau d'aspiration soient correctement fixés. Toute fuite d'air pourrait occasionner un fonctionnement irrégulier du pulvérisateur et pourrait endommager le système. Les courses ascendantes et descendantes doivent être approximativement similaires en terme de temps (l'une ne doit pas être plus rapide que l'autre). Une course ascendante ou descendante trop rapide pourrait indiquer la présence d'air dans le système ou un mauvais fonctionnement de la soupape ou des sièges (reportez-vous à la section consacrée au dépannage).

## 7.6 TUYAU FLEXIBLE HAUTE PRESSION

Contrôler visuellement le tuyau flexible haute pression pour entailles ou bosses éventuellement présentes, en particulier à la transition dans le raccord. Les écrous-raccords doivent pouvoir tourner librement. Une conductibilité inférieure à 1 mégohm doit être présente sur toute la longueur.

 <p>Attention</p>	<p>Faire effectuer tous les contrôles électriques par le service après-vente de Wagner.</p>
	<p>Le risque d'endommagements s'accroît dans le cas des vieux flexibles à haute pression. Wagner recommande de remplacer le flexible à haute pression au bout de 6 ans.</p>

## 7.7 ENTRETIEN DE BASE DU MOTEUR (MOTEUR À ESSENCE)

- Pour obtenir des informations détaillées sur l'entretien du moteur ou des spécifications techniques, reportez-vous au deuxième manuel du moteur à essence.
- Tout entretien du moteur doit être réalisé par un revendeur agréé par le fabricant du moteur.

## TOUS LES JOURS

1. Vérifiez le niveau d'huile du moteur et remplissez le réservoir si besoin est.
2. Vérifiez le niveau d'essence du moteur et remplissez le réservoir si besoin est.



Suivez toujours la procédure de ravitaillement précédemment exposée dans ce manuel.

## LES 20 PREMIÈRES HEURES

- Changez l'huile du moteur.

## TOUTES LES 100 HEURES

- Changez l'huile du moteur.
- Nettoyez le collecteur de dépôt.
- Nettoyez et re-réglez la bougie d'allumage.
- Nettoyez le pare-étincelles.

## TOUTES LES SEMAINES

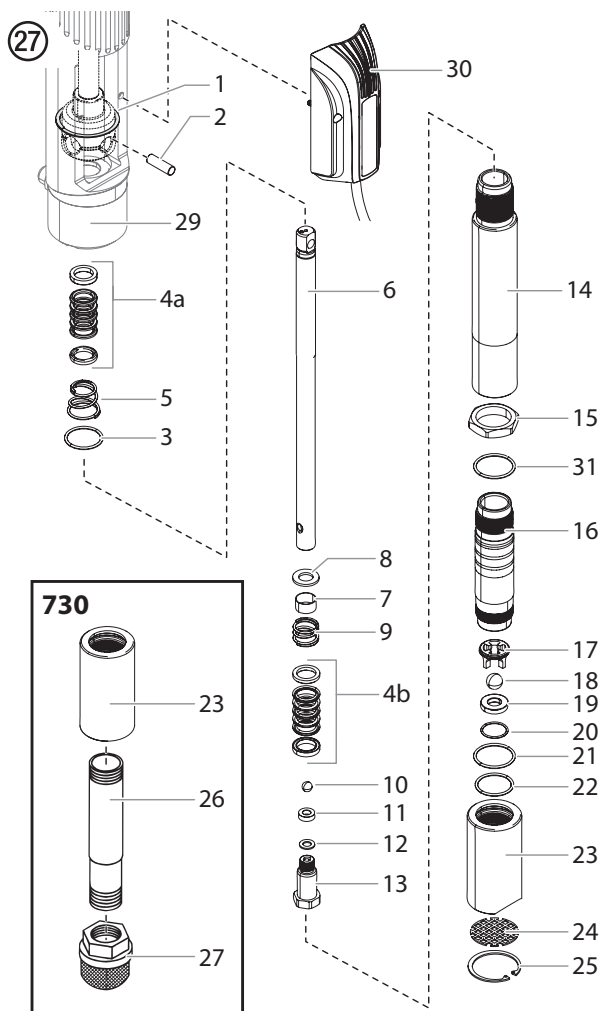
- Retirez le couvercle du filtre à air et nettoyez l'élément. Dans les environnements très poussiéreux, vérifiez le filtre quotidiennement. Remplacez l'élément le cas échéant. Les pièces de rechange peuvent être achetées auprès de votre revendeur local du fabricant de moteur.

## FONCTIONNEMENT ET ENTRETIEN DU MOTEUR

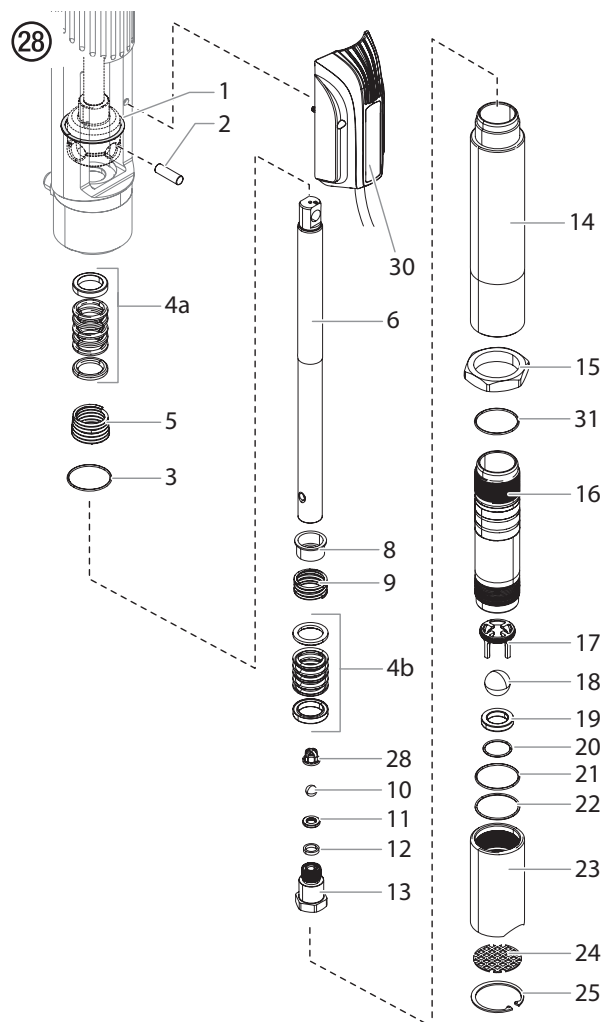
- Nettoyez les filtres à air et à huile du moteur à essence toutes les 25 heures ou une fois par semaine. Ne laissez pas la peinture ou les saletés s'accumuler sur la grille d'entrée d'air du volant du moteur à essence. Nettoyez-la régulièrement. La durée de vie et l'efficacité du moteur à essence dépend de son bon entretien. Changez l'huile du moteur toutes les 100 heures. Tout manquement à ces consignes peut occasionner une surchauffe du moteur. Consultez le manuel d'entretien qui vous est fourni par le fabricant du moteur.
- Pour économiser de l'essence et accroître la durée de vie et l'efficacité du pulvérisateur, faites fonctionner le moteur à essence au régime moteur le plus bas lui permettant de tourner sans forcer et de fournir la quantité de peinture requise. Un régime moteur plus élevé n'est pas synonyme de pression de travail plus grande. Le moteur à essence est relié à la pompe hydraulique par le biais d'une association de poulies destinées à fournir un maximum de peinture à un régime moteur maximum.
- La garantie sur les moteurs à essence se limite au fabricant d'origine.

## 7.8 MAINTENANCE DE LA SECTION DES LIQUIDES

## HEAVYCOAT 730



## HEAVYCOAT 750 / HEAVYCOAT 770



Attention

L'utilisation de pièces de rechange autres que celles fournies par Wagner peut entraîner l'annulation de la garantie. Demandez des pièces d'origine de Wagner pour une meilleure maintenance. Ces pompes doivent être régulièrement entretenues après 1 000 heures d'utilisation environ. Un entretien précoce est nécessaire s'il y a des fuites importantes dans la garniture supérieure ou si la course ascendante ou descendante de la pompe devient trop rapide. L'utilisation du lubrifiant EasyGlide de Wagner (n° de pièce 0508619) est conseillée pour lubrifier la garniture supérieure. Ne remplacez pas ce lubrifiant par de l'huile, de l'eau ou un solvant pour lubrifier la garniture supérieure.

## DÉMONTAGE DE LA SECTION DES LIQUIDES

1. À l'aide d'une clé hexagonale, desserrez les vis imperdables qui fixent l'ensemble de la carte PCB (fig. 27, article 30) au vérin du moteur hydraulique. Une fois enlevée, la carte peut pendre de son cordon.


2. Faites glisser la bague de retenue (1) vers le haut au moyen d'un petit tournevis puis extrayez la goupille de connexion (2).
3. **HeavyCoat 730** - Enlevez le tube-siphon (26).
4. Tournez l'écrou d'enlèvement (15) de la section des liquides dans le sens contraire des aiguilles d'une montre afin qu'il atteigne son point le plus bas sur le filetage du vérin (16).
5. Placez une clé sur les côtés plats de l'écrou d'enlèvement de la section des liquides (15). Tournez la clé dans le sens contraire des aiguilles d'une montre pour desserrer l'ensemble de la section des liquides.
6. Tirez soigneusement la section des liquides vers le bas pour enlever le moteur hydraulique.
7. Pour procéder à l'entretien de la section des liquides, stabilisez-la en plaçant les côtés plats de l'écrou d'enlèvement de la section des liquides (15) dans un étau.
8. Dévissez le logement du clapet de pied (23) avec une clé à sangle.
9. Retirez le ressort de garniture supérieure (5) et la garniture supérieure (4a) du bloc moteur/pompe.


10. Placez une clé sur les côtés plats sur le dessus de la tige de déplacement (6). À l'aide d'une seconde clé, desserrez et enlevez le logement de la soupape de sortie (13) de la tige de déplacement (6).
11. Enlevez la rondelle d'étanchéité (12), le siège de la soupape de sortie (11), la bille de la soupape de sortie (10), la cage de la soupape de sortie (28, HeavyCoat 750 / HeavyCoat 770 uniquement), la garniture inférieure (4b), le ressort de garniture inférieure (9) et la bague de retenue du ressort (8).
12. À l'aide d'une rallonge de 1,25 cm fixée à une clé à cliquet de 1,25 cm, insérez le bout de la rallonge dans l'ouverture carrée de la cage du clapet de pied (17) à l'intérieur du logement du clapet de pied (23). Dévissez et enlevez la cage du clapet de pied du logement du clapet de pied.
13. Retirez le joint torique en PTFE (22), la bille du clapet de pied (18), le siège du clapet de pied (19) et le joint torique du siège (20) du logement du clapet de pied (23).
14. Retirez le joint torique (21) du cylindre de la pompe (16).

soupape de sortie (28, HeavyCoat 750 / 770 uniquement), la bille de la soupape de sortie (10), le siège, qu'il soit nouveau ou retourné (côté usé le plus éloigné de la bille) et une nouvelle rondelle d'étanchéité (12) dans la tige de déplacement (6).

7. Nettoyez les filetages du logement de la soupape de sortie (13) et enduisez les filetages de Loctite bleue n° 242. Assurez-vous qu'il n'y a pas de Loctite ailleurs que sur les filetages.
8. Placez le ressort de garniture inférieure (9) sur le logement de soupape de sortie (13), puis et la bague de retenue du ressort (8).
9. Vissez la tige de déplacement (6) et le logement de la soupape de sortie (13) ensemble. Vissez dans un étau à 50 pi/lbs. (68 Nm).
10. Insérez le joint torique en PTFE (3) dans la rainure supérieure du bloc moteur/pompe.
11. Insérez la garniture supérieure (4a) dans le bloc moteur/pompe avec la pointe des garnitures en « V » vers le haut en direction du moteur.


## REMONTAGE DE LA SECTION DES LIQUIDES


	Utilisez du ruban en PTFE sur tous les raccords de tuyaux filetés.
-----------------------------------------------------------------------------------	--------------------------------------------------------------------

	Les garnitures doivent être trempées dans l'huile avant d'être installées.
-----------------------------------------------------------------------------------	----------------------------------------------------------------------------

1. Placez un nouveau joint torique du siège (20) dans la rainure en bas du logement du clapet de pied (23).
2. Vérifiez l'usure du siège du clapet de pied (19). Si un côté est usé, retournez le siège du côté qui n'est pas usé. Si les deux côtés sont usés, installez un nouveau siège. Placez le nouveau siège, ou le siège retourné (côté usé vers le bas) dans l'alésage au bas du logement du clapet de pied (23).
3. Placez une nouvelle bille de clapet de pied (18) sur le siège du clapet de pied (19). A l'aide d'une barre d'extension 1/2" attachée à un cliquet guide 1/2", insérez l'extrémité de la barre d'extension dans l'ouverture carrée de la cage du clapet de pied (17) et vissez la cage du clapet de pied à l'intérieur du logement du clapet de pied (23). Serrez la cage à 240 po/lbs (20 pi./lbs.).
4. Insérez un nouveau joint torique en PTFE (22) dans la rainure du logement du clapet de pied (23). Lubrifiez le joint torique avec de l'huile ou de la graisse.
5. Après avoir trempé les garnitures en cuir dans l'huile (huile de lin de préférence), rassemblez la garniture inférieure (4b). Placez la garniture inférieure sur le logement de la soupape de sortie (13) avec la pointe des garnitures en « V » vers le bas, en direction de l'hexagonal du logement de la soupape de sortie.

12. Placez le ressort de garniture supérieure (5) dans le bloc moteur/pompe avec la petite extrémité conique vers le haut, en direction du bloc moteur/pompe.
13. Insérez la tige de déplacement (6) par les garnitures supérieures du bloc moteur/pompe.
14. Alignez les trous dans la tige de déplacement (6) et la tige du piston hydraulique puis insérez la goupille de connexion (2). Remplacez la bague de retenue (1) sur la goupille de connexion.
15. HeavyCoat 730 - Vissez le filetage long du cylindre de la pompe (16) dans le moteur/groupe de pompage et serrez-le avec une clé à sangle.
16. Vissez le filetage mâle de l'entretoise du cylindre (14) dans le moteur/groupe de pompage et serrez-le avec une clé à sangle. Vissez le filetage long du cylindre de la pompe (16) dans l'entretoise du cylindre (14) et serrez-le avec une clé à sangle.
17. Placez le joint torique (21) dans la rainure supérieure du cylindre de la pompe (16).
18. Vissez le logement du clapet de pied (23) sur le cylindre de la pompe (16), serrez avec une clé à sangle.
19. **HeavyCoat 730** - Installer le tube-siphon (26).

	Toutes les garnitures en cuir doivent être trempées dans de l'huile pendant 15 à 20 minutes avant d'être installées. Tremper les garnitures trop longtemps causera le gonflement des garnitures. Le remontage sera par conséquent plus difficile.
-------------------------------------------------------------------------------------	---------------------------------------------------------------------------------------------------------------------------------------------------------------------------------------------------------------------------------------------------

	Il n'est pas nécessaire de trop visser le logement du clapet de pied. Les joints toriques servent de joints sans serrage excessif. Il suffit d'engager totalement le filetage. <b>HeavyCoat 730</b> - Pour fixer le tube du siphon, il est très important que les filetages du tube du siphon pénètrent facilement dans le logement du clapet de pied avec les raccords du tube en PTFE équipés et recouverts de mastic d'étanchéité pour empêcher toute fuite d'air.
-------------------------------------------------------------------------------------	--------------------------------------------------------------------------------------------------------------------------------------------------------------------------------------------------------------------------------------------------------------------------------------------------------------------------------------------------------------------------------------------------------------------------------------------------------------------------

6. Vérifiez l'usure du siège de la soupape de sortie (11). Si un côté est usé, tournez le siège du côté qui n'est pas usé. Si les deux côtés sont usés, utilisez un nouveau siège. Insérez la cage de

## 8 DÉPANNAGE

### 8.1 PISTOLET SANS AIR

PROBLÈME	CAUSE	SOLUTION
A. Le pistolet projette par erreur	<ol style="list-style-type: none"> <li>1. Présence d'air dans le circuit</li> <li>2. Pistolet sale</li> <li>3. Déréglage de l'aiguille</li> <li>4. Siège de soupape endommagé ou fêlé</li> </ol>	<ol style="list-style-type: none"> <li>1. Inspectez les raccords pour détecter une éventuelle fuite d'air.</li> <li>2. Démontez et nettoyez.</li> <li>3. Inspectez et réglez.</li> <li>4. Inspectez et remplacez.</li> </ol>
B. Le pistolet ne s'arrête pas	<ol style="list-style-type: none"> <li>1. Aiguille &amp; siège endommagés ou usés</li> <li>2. Déréglage de l'aiguille</li> <li>3. Pistolet sale</li> </ol>	<ol style="list-style-type: none"> <li>1. Remplacez.</li> <li>2. Réglez.</li> <li>3. Nettoyez.</li> </ol>
C. Le pistolet ne pulvérise pas	<ol style="list-style-type: none"> <li>1. Absence de peinture</li> <li>2. Filtre ou embout obstrués</li> <li>3. Aiguille du pistolet endommagée</li> </ol>	<ol style="list-style-type: none"> <li>1. Vérifiez l'alimentation en fluide.</li> <li>2. Nettoyez.</li> <li>3. Remplacez.</li> </ol>

### 8.2 SECTION DES LIQUIDES

PROBLÈME	CAUSE	SOLUTION
A. La pompe ne libère du produit que lors de la course ascendante ou monte lentement et descend rapidement (généralement appelé plongée descendante).	<ol style="list-style-type: none"> <li>1. La bille du clapet de pied inférieur n'est pas stable à cause des dépôts de déchets ou de l'usure</li> <li>2. Produit trop visqueux pour être aspiré.</li> <li>3. Présence d'une fuite d'air dans le siphon ou tuyau du siphon endommagé. Le siphon peut être trop petit pour les produits denses.</li> </ol>	<ol style="list-style-type: none"> <li>1. Ôtez le clapet de pied. Nettoyez et inspectez. Testez le clapet de pied en le remplissant d'eau ; si la bille tombe pour sceller le siège, remplacez la bille.</li> <li>2. Dilution du produit – contactez le fabricant pour connaître les procédures de dilution appropriées.</li> <li>3. Serrez tous les raccords situés entre la pompe et le réservoir de peinture. S'ils sont endommagés, remplacez-les. Passez à un siphon de diamètre plus large.</li> </ol>
B. La pompe ne libère du produit que dans sa course descendante ou monte rapidement et descend lentement.	<ol style="list-style-type: none"> <li>1. La bille supérieure n'est pas stable à cause des dépôts de déchets ou de l'usure</li> <li>2. La garniture inférieure est usée.</li> </ol>	<ol style="list-style-type: none"> <li>1. Vérifiez le siège supérieur et la bille avec de l'eau. Si la bille ne scelle pas l'ensemble, remplacez le siège.</li> <li>2. Remplacez l'ensemble des garnitures si elles sont usées.</li> </ol>
C. La pompe monte et descend rapidement, en libérant du produit.	<ol style="list-style-type: none"> <li>1. Le réservoir de produit est vide ou le produit est trop épais pour s'écouler dans le tuyau du siphon.</li> <li>2. La bille inférieure est collée au siège du clapet de pied.</li> <li>3. Le tuyau du siphon est tordu ou dévissé.</li> </ol>	<ol style="list-style-type: none"> <li>1. Remplissez de nouveau produit. Si elle est trop épaisse, retirez le tuyau du siphon, immergez la section des liquides dans le produit et amorcez la pompe. Ajoutez du diluant au produit. Installez un siphon plus grand. Ouvrez la soupape de décharge pour évacuer l'air et redémarrez la pompe.</li> <li>2. Ôtez le clapet de pied. Nettoyez la bille et le siège.</li> <li>3. Resserrez.</li> </ol>
D. La pompe monte et descend lentement lorsque le pistolet vaporisateur est éteint.	<ol style="list-style-type: none"> <li>1. Les raccords sont dévissés. La soupape de décharge est partiellement ouverte ou usée. Le siège des garnitures inférieures est usé.</li> <li>2. La bille supérieure et/ou la bille inférieure ne sont pas stables.</li> </ol>	<ol style="list-style-type: none"> <li>1. Vérifiez tous les raccords entre la pompe et le pistolet. Resserrez si nécessaire. Si du produit s'écoule du tuyau de décharge, fermez la soupape de décharge ou remplacez-la le cas échéant. Si aucune de ces solutions ne fonctionne, remplacez la garniture inférieure.</li> <li>2. Remettez la bille en place en la nettoyant.</li> </ol>
E. Le pistolet ne dispose pas d'une pression du liquide suffisante.	<ol style="list-style-type: none"> <li>1. L'embout pulvérisateur est usé.</li> <li>2. Le filtre de sortie ou le filtre du pistolet sont obstrués.</li> <li>3. Tension faible et/ou intensité de courant électrique inappropriée.</li> <li>4. Taille ou longueur du tuyau trop petite ou trop grande.</li> </ol>	<ol style="list-style-type: none"> <li>1. Remplacez.</li> <li>2. Nettoyez ou remplacez le filtre.</li> <li>3. Vérifiez le circuit électrique. Corrigez si besoin est.</li> <li>4. Augmentez le diamètre du tuyau afin de minimiser la chute de pression le long du tuyau et/ou réduisez la longueur du tuyau.</li> </ol>
F. La pompe broute pendant la course ascendante ou descendante.	<ol style="list-style-type: none"> <li>1. Le solvant a fait gonfler la garniture supérieure.</li> </ol>	<ol style="list-style-type: none"> <li>1. Remplacez les garnitures.</li> </ol>

## 8.3 MOTEURS HYDRAULIQUES

### PROBLÈME

A. Le moteur hydraulique cale du bas ou au haut de sa course; pression faible ou intermittente de la pompe; vitesse de course inhabituelle; température élevée de l'huile hydraulique (au-dessus de 93 °C [200 °F]).

### CAUSE

1. Faible niveau d'huile hydraulique.
2. Le réglage de commande de pression est trop faible.
3. Défaillance de la courroie hydraulique ou de la poulie.
4. Défaillance du piston hydraulique.
5. Piston de la section des liquides lié ou brisé.
6. Défaillance du joint d'étanchéité de la tige de piston hydraulique
7. Défaillance du joint d'étanchéité de la tête de piston hydraulique
8. Autre

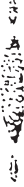
### SOLUTION

1. Vérifiez le niveau d'huile. Remplissez l'appareil, au besoin. Si le niveau d'huile est à plein, vérifiez le contrôleur.
2. Assurez-vous que le bouton de commande de pression est tourné assez haut pour faire fonctionner le moteur. Si le réglage de commande de pression est bon, vérifiez la courroie et les poulies.
3. Assurez-vous que la clé est présente dans l'arbre de sortie du moteur/moteur électrique et l'arbre d'entrée de la pompe hydraulique. Assurez-vous que la courroie n'est pas brisée et qu'elle est assez tendue. Si la courroie et les poulies sont en bon état, veuillez communiquer avec un centre de service Wagner autorisé.
4. Inspectez visuellement la tige de piston hydraulique pour des signes de fissures. S'il est évident que la tige de piston hydraulique est brisée, enlevez/remplacez le piston hydraulique. Selon l'endroit du bris, il se peut que le coupleur du piston doive également être remplacé. Veuillez visiter un centre de service Wagner autorisé si vous avez besoin d'aide. Si le piston hydraulique n'est pas endommagé, vérifiez si le piston de la section des liquides est lié/brisé.
5. Pour vérifier si le piston de la section des liquides est lié/brisé, découpez le piston hydraulique du piston à peinture en enlevant la goupille de positionnement. Mettez l'appareil en marche. Si le moteur hydraulique fonctionne lorsque le piston hydraulique est découplé du piston à peinture, le problème est sûrement dans la section des liquides. Veuillez vous rendre à un centre de service Wagner autorisé si vous avez besoin d'aide. Si le moteur hydraulique ne fonctionne toujours pas, vérifiez le joint d'étanchéité de la tige de piston hydraulique.
6. Enlevez le bouchon du joint de tige du piston hydraulique qui contient le joint de tige, le joint torique et la bague d'usure de la tige. Vérifiez la présence de dommages et remplacez le joint de tige, le joint torique et la bague d'usure de la tige, au besoin. Si le joint de tige, le joint torique et la bague d'usure de la tige ne sont pas endommagés, vérifiez le joint d'étanchéité de la tête du piston hydraulique.
7. Enlevez le piston hydraulique et inspectez/remplacez le joint d'étanchéité et la bague d'usure de la tête du piston, au besoin. Pendant ce processus, vérifiez la présence de dommages ou d'usure inégale de l'alésage du cylindre. Si l'alésage du cylindre est endommagé, remplacez le groupe de pompe, ainsi que le joint d'étanchéité et la bague d'usure de la tête du piston.
8. Si les problèmes persistent, veuillez visiter un centre de service Wagner reconnu.

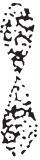
## 8.4 RÉPARTITION DE LA PULVÉRISATION

### PROBLÈME

A. Traînées



B. Sablier



C. Déformation



D. Pulvérisation qui s'étend et se rétracte (surtension)



E. Pulvérisation arrondie

### CAUSE

1. Sortie de liquide incorrecte

1. Sortie de liquide incorrecte

1. L'embout de la buse est obstrué ou usé

1. Fuite d'aspiration  
2. Sortie de liquide par à-coups

1. Embout usé  
2. Liquide trop dense pour l'embout

### SOLUTION

1. Le liquide ne s'atomise pas correctement  
Augmentez la pression du liquide. Changez pour un embout au diamètre plus petit. Réduisez la viscosité du liquide. Réduisez la longueur du tuyau. Nettoyez le pistolet et le(s) filtre(s). Réduisez le nombre de pistolets utilisant la pompe.

1. Cf. ci-avant.

1. Nettoyez ou remplacez l'embout.

1. Détectez toute fuite éventuelle du tuyau d'aspiration.  
2. Changez pour un embout au diamètre plus petit. Installez un amortisseur de pulsations dans le circuit ou purgez l'appareil. Réduisez le nombre de pistolets utilisant la pompe. Débloquez le circuit, nettoyez le filtre de l'embout si le filtre est utilisé.

1. Remplacez l'embout.  
2. Augmentez la pression. Diluez le produit. Changez l'embout de la buse.



## 9 ANNEXE

### 9.1 CHOIX DES BUSES

Pour réaliser un travail correct et rationnel, le choix de la buse est de grande importance. Dans beaucoup de cas, la buse correcte ne peut être trouvée que par un essai de projection.

#### QUELQUES RÈGLES À CE SUJET:

Le jet de projection doit être régulier.

Si le jet comporte des bandes, la pression de projection est trop faible ou la viscosité du produit est trop élevée.

**Remède:** Augmenter la pression ou diluer le produit. Chaque pompe a un débit déterminé par rapport à la grandeur de l'orifice de buse.

**Règle générale:** grande buse = faible pression  
petite buse = haute pression

Il existe un grand choix de buses avec angles de projection différents.

### 9.2 ENTRETIEN ET NETTOYAGE DE BUSES AIRLESS EN CARBURE

#### BUSES STANDARD

En cas d'utilisation d'une buse différente, la nettoyer en suivant les indications du fabricant.

La buse comporte un orifice usiné avec grande précision. Afin d'obtenir une longue durée de vie il est indispensable de traiter les buses avec grand soin. Il faut savoir que l'insert en carbure est fragile. Pour cette raison il ne faut jamais laisser tomber la buse ni la traiter avec des objets métalliques.

#### Tenir compte des points suivants afin de conserver la propreté et la disponibilité de la buse:

1. Tourner le poignée de la vanne de décharge entièrement vers la gauche (↺ circulation).
2. Arrêter le moteur à essence ou motor électrique.
3. Démonter la buse du pistolet.
4. Mettre la buse dans le diluant approprié jusqu'à dilution complète des restes de produit.
5. Souffler la buse si l'air comprimé est à disposition.
6. Avec un objet pointu en bois (cure-dents) enlever les restes éventuels.
7. Contrôler la buse à l'aide d'une loupe et répéter les pas de 4 à 6 si nécessaire.

### CONTRÔLE DE L'APPAREIL

Pour des raisons de sécurité, nous recommandons de faire vérifier l'appareil par un expert si cela s'avère nécessaire, sans toutefois dépasser un intervalle de 12 mois. Celui-ci contrôlera que le fonctionnement de l'appareil est sûr.

Si l'appareil n'a pas été mis en service, le contrôle peut être repoussé jusqu'à la mise en service suivante.

On respectera en outre toutes les dispositions nationales de contrôle et de maintenance, celles-ci pouvant différer.

Pour toute question, veuillez vous adresser au service clientèle de la société Wagner.

### INDICATION IMPORTANTE DE RESPONSABILITÉ DE PRODUIT

En vertu d'un décret de l'Union européenne, si le produit est défectueux, la responsabilité du fabricant n'est engagée sans restriction que si toutes les pièces utilisées sont des pièces d'origine ou des pièces autorisées par le fabricant et si les appareils ont été montés et utilisés de manière appropriée. Le fabricant est partiellement ou intégralement déchargé de sa responsabilité s'il est établi que le défaut du produit est dû à l'utilisation de pièces de rechange et/ou d'accessoires tiers. Dans des cas extrêmes, les autorités compétentes sont susceptibles d'interdire l'utilisation de l'ensemble de l'appareil.

Avec les accessoires et pièces de rechange d'origine WAGNER, vous avez la garantie que toutes les prescriptions de sécurité sont respectées.

### INDICATION DE MISE AU REBUT

Suivant la directive européenne 2012/19/UE d'élimination des anciens appareils électriques et sa transposition dans le droit national, ce produit ne peut pas être éliminé avec les ordures domestiques, mais doit être envoyé à une revalorisation compatible avec l'environnement.



Votre ancien appareil WAGNER sera repris par nos soins ou par nos représentations commerciales et éliminé de manière compatible avec l'environnement. Adressez-vous dans ce cas à un de nos points de service après-vente ou à une de nos représentations commerciales ou directement à nous.

**GARANTIE 3 + 2 SUR CE PRODUIT DE WAGNER**

(Version du 03.03.2022)

WAGNER offrent exclusivement aux acheteurs professionnels qui font l'acquisition d'un produit auprès d'un revendeur agréé (ci-après « clients ») une garantie supplémentaire aux conditions de garantie légale pour les produits listés sur la page internet <https://go.wagner-group.com/3plus2-info>, dans l'absence d'une éventuelle exclusion de garantie.

La durée de garantie des produits WAGNER (appareils) pour un usage artisanal est de 36 mois et commence à partir de la date d'achat initial. La durée de garantie se prolonge de 24 mois lorsque le client enregistre son produit dans les 28 jours qui suivent son achat sur l'espace dédié de notre site : <https://go.wagner-group.com/3plus2>.

En cas de location commerciale, d'usage industriel (utilisation en roulements) ou de sollicitation équivalente, la durée de garantie est limitée à 12 mois en raison d'une utilisation nettement plus intense. Dans ce cas, nous nous réservons le droit de réaliser des contrôles et, éventuellement, de refuser une prestation de garantie.

Si des vices de fabrication, de matériau ou de performance sont constatés pendant la durée de garantie, les vices doivent être signalés dans les plus brefs délais, soit dans une limite de 2 semaines après leur constatation.

Les conditions de garantie détaillées sont disponibles sur demande auprès de nos partenaires agréés WAGNER (voir site Web ou manuel d'utilisation) ou sous forme écrite sur notre site Web :

<https://go.wagner-group.com/pf-warranty-conditions>



Sous réserve de modifications

**Déclaration de conformité UE****Modèles à essence (type 558, 564, 566)**

Nous déclarons sous notre responsabilité que ce produit est en conformité avec les réglementations suivantes:

2006/42/CE, 2011/65/UE

Conforme aux normes et documents normalisés:

EN ISO 12100, EN 1953

La déclaration de conformité UE est jointe à ce produit. Elle peut être commandée au besoin sous le numéro de commander **2383464**.

**Modèles électriques (type 560, 562)**

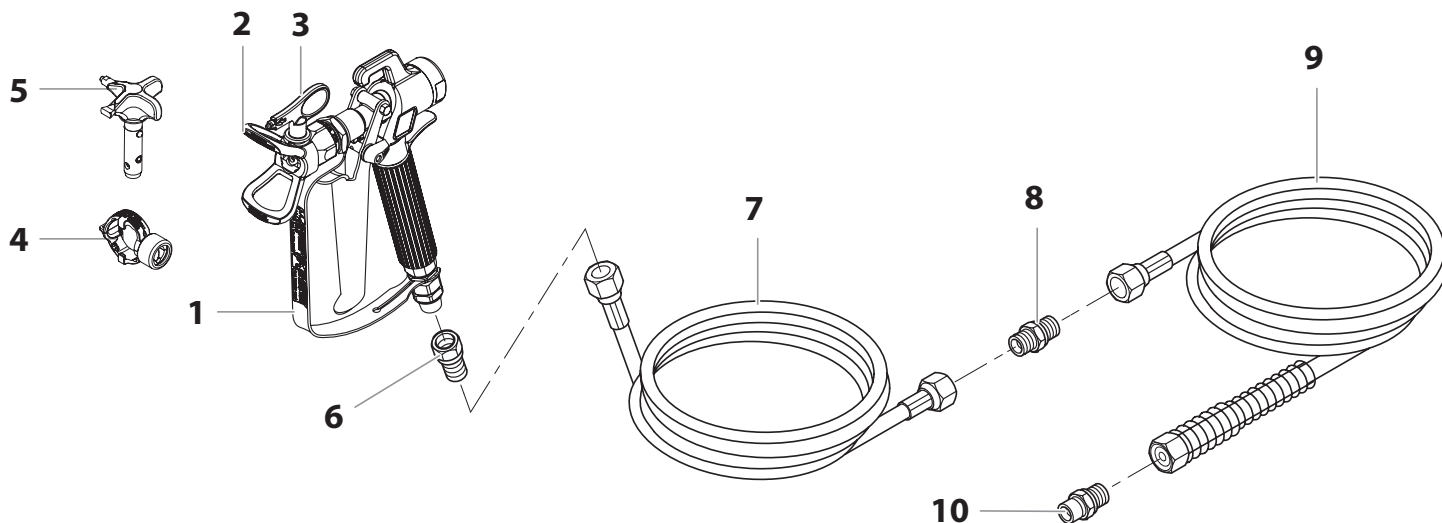
Nous déclarons sous notre responsabilité que ce produit est en conformité avec les réglementations suivantes:

2006/42/CE, 2014/30/UE, 2011/65/UE, 2012/19/UE

Conforme aux normes et documents normalisés:

EN ISO 12100, EN 1953, EN 60204-1, EN IEC 61000-3-2, EN 61000-3-3, EN IEC 61000-6-1, EN 61000-6-3

La déclaration de conformité UE est jointe à ce produit. Elle peut être commandée au besoin sous le numéro de commander **2383462**.

**ILLUSTRATION DES PIÈCES DE RECHANGE**
**EN ACCESSORIES FOR HC UNITS I**
**DE ZUBEHÖR FÜR HC-GERÄTE I**
**FR ACCESSOIRES POUR GROUPES HC I**


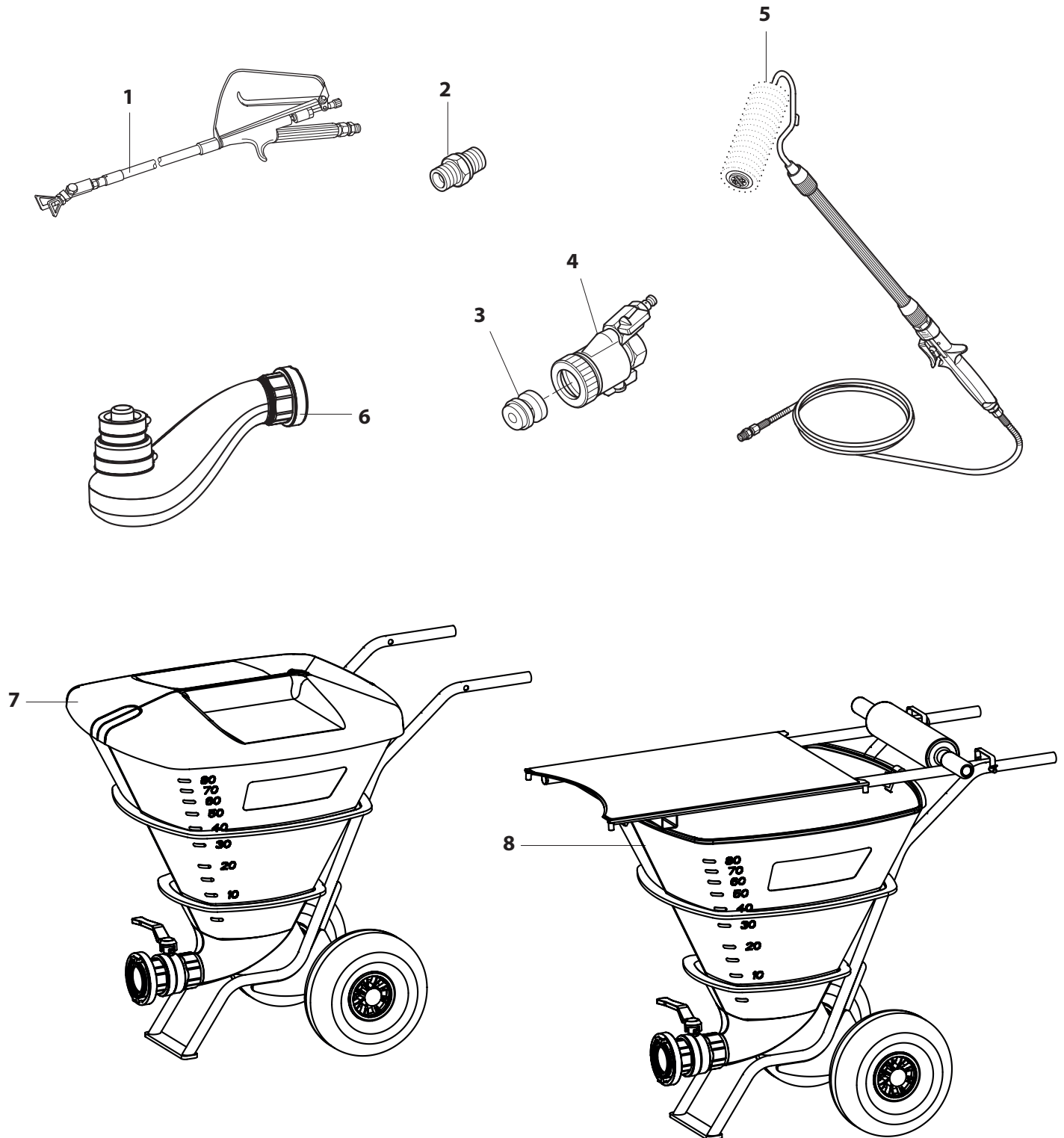
Pos.	HC 730 • 750 • 770	Description	Benennung	Description
1	0502 166	Spray gun AG 14, F-thread	Spritzpistole AG 14, F-Gewinde	Pistolet AG 14, TradeTip 2-F
	0502 119	Spray gun AG 14, G-thread	Spritzpistole AG 14, G-Gewinde	Pistolet AG 14, TradeTip 2-G
	0538 019	Spray gun, Vector Pro	Spritzpistole, Vector Pro	Pistolet Vector Pro
	0538 026	Spray gun, Vector Grip	Spritzpistole, Vector Grip	Pistolet Vector Grip
2	0289 391	TradeTip 3 tip holder F	TradeTip 3 Tip Halter, F-Gewinde	Porte buse F TradeTip 3
	0289 390	TradeTip 3 tip holder G	TradeTip 3 Tip Halter, G-Gewinde	Porte buse G TradeTip 3
3	0553 xxx	Wagner TradeTip 3	Wagner TradeTip 3	Wagner TradeTip 3
4	0271 065	2Speed tip holder	2Speed Tip Halter	Porte buse 2Speed Tip
5	0271 xxx	Wagner 2Speed Tip	Wagner 2Speed Tip Düse	Wagner 2Speed Tip buse
6	0179 732	Connection socket, 1/4" x 3/8"	Übergangsstutzen, 1/4" x 3/8"	Raccord 1/4" x 3/8"
7	2336 582	Hose whip DN 10 mm, 2,5 m, NPSM 3/8	Schlauchpeitsche DN 10 mm, 2,5 m, NPSM 3/8	Fouet du flexible DN 10 mm, 2,5 m, NPSM 3/8
8	3203 026	Double socket 3/8 inch – 1/2 inch	Doppelstutzen 3/8 – 1/2	Raccord double 3/8 – 1/2
	9985 783	Double socket 3/8 inch – 3/4 inch	Doppelstutzen 3/8 – 3/4	Raccord double 3/8 – 3/4
	9985 782	Double socket 1/2 inch – 3/4 inch	Doppelstutzen 1/2 – 3/4	Raccord double 1/2 – 3/4
9	2336 583	Special high-pressure hose DN 10 mm, 15 m, NPSM 3/8 inch	Spezial Hochdruckschlauch DN 10 mm, 15 m, NPSM 3/8	Flexible à haute pression spécial DN 10 mm, 15 m, NPSM 3/8
	2336584	Special high-pressure hose DN 10 mm, 30 m, NPSM 3/8 inch	Spezial Hochdruckschlauch DN 10 mm, 30 m, NPSM 3/8	Flexible à haute pression spécial DN 10 mm, 30 m, NPSM 3/8
	2336 585	Special high-pressure hose DN 13 mm, 15 m, NPSM 1/2 inch	Spezial Hochdruckschlauch DN 13 mm, 15 m, NPSM 1/2	Flexible à haute pression spécial DN 13 mm, 15 m, NPSM 1/2
	2336 586	Special high-pressure hose DN 19 mm, 15 m, NPSM 3/4 inch	Spezial-Hochdruckschlauch DN 19 mm, 15 m, NPSM 3/4	Flexible à haute pression spécial DN 19 mm, 15 m, NPSM 3/4
10	808-550	Hex fitting, 3/8" (for high-pressure filter)	Sechskantschraube, 3/8" Anschluss am Hochdruckfilter	Raccord hexagonal, 0,9 cm (filtre à haute pression)
	0349610	Hex fitting, 1/2" (for high-pressure filter)	Sechskantschraube, 1/2" Anschluss am Hochdruckfilter	Raccord hexagonal, 1,3 cm (filtre à haute pression)

ILLUSTRATION DES PIÈCES DE RECHANGE

EN ACCESSORIES FOR HC UNITS II

DE ZUBEHÖR FÜR HC-GERÄTE II

FR ACCESSOIRES POUR GROUPES HC II



Pos.	HC 730 • 750 • 770	Description	Benennung	Description
1	0296 441	Pole gun 120 cm, G-Thread	Auslegerpistole 120 cm, G-Gewinde	Pistolet à rallonge 120 cm-G
	0296 442	Pole gun 200 cm, G-Thread	Auslegerpistole 200 cm G-Gewinde	Pistolet à rallonge 200 cm-G
	0296 443	Pole gun 120 cm, F-Thread,	Auslegerpistole 120 cm F-Gewinde	Pistolet à rallonge 120 cm-F
	0296 444	Pole gun 200 cm, F-Thread	Auslegerpistole 200 cm F-Gewinde	Pistolet à rallonge 200 cm-F
2	9984 567	Double socket NPSM 3/8 inch DN10 (for hose extension)	Doppelstutzen NPSM 3/8 DN10 (für Schlauchverlängerung)	Raccord double NPSM 3/8 DN10 (pour rallonger le flexible)
	0256 343	Double socket 3/8 inch (for hose extension)	Doppelstutzen 3/8 (für Schlauchverlängerung)	Raccord double 3/8 (pour rallonger le flexible)
	3202 901	Double socket 1/2 inch (for hose extension)	Doppelstutzen 1/2 (für Schlauchverlängerung)	Raccord double 1/2 (pour rallonger le flexible)
	9985 781	Double socket 3/4 inch (for hose extension)	Doppelstutzen 3/4 (für Schlauchverlängerung)	Raccord double 3/4 (pour rallonger le flexible)
3	0268 905	Texture tip set 4, 6, 8, 10 mm	Strukturdüsensatz 4, 6, 8, 10 mm	Jeu de buses de structure 4, 6, 8, 10 mm
4	0258 202	Spray head for working with Airless filler (sprinkle texture) with air support	Spritzkopf zur Verarbeitung von Airless-Spachtelmassen (Sprenkelstruktur) mit Luftunterstützung	Tête de projection pour la mise en œuvre d'enduits à projeter Airless (structure tachetée sous addition d'air)
	0258 720	Sprinkle texture set: Spray head, texture tip set, tip-cleaning needle and air hose DN 9 mm, 15 m with rapid action coupling (no. fig.)	Sprenkelstruktur-Set: Spritzkopf, Strukturdüsensatz, Düsenreinigungsnadel und Luftschnlauch DN 9 mm, 15 m mit Schnellkupplung (ohne Abbildung)	Jeu de projection à structure tachetée: tête de projection, jeu de buses de structure, aiguille de nettoyage de buse, tuyau d'air DN 9 mm, 15 m avec raccord rapide (sans illustration)
5	0345 010	In-line roller IR-100	Inline Roller IR-100	Rouleau à alimentation interne IR-100
6	2383 128	Connection kit for large volume container	Anschluss-Set für Großmengenbehälter	Kit de raccordement pour le bac grands volumes
7	2374 308	Large volume container	Großmengenbehälter	Bac grands volumes
8	2374 263	Large volume container with sack press table	Großmengenbehälter mit Sackauspresstisch	Bac grands volumes avec table de pressage de sac



You can find further accessories for optimised working at  
<https://go.wagner-group.com/accessories-professional>

Weiteres Zubehör für optimales Arbeiten finden Sie unter  
<https://go.wagner-group.com/accessories-professional>

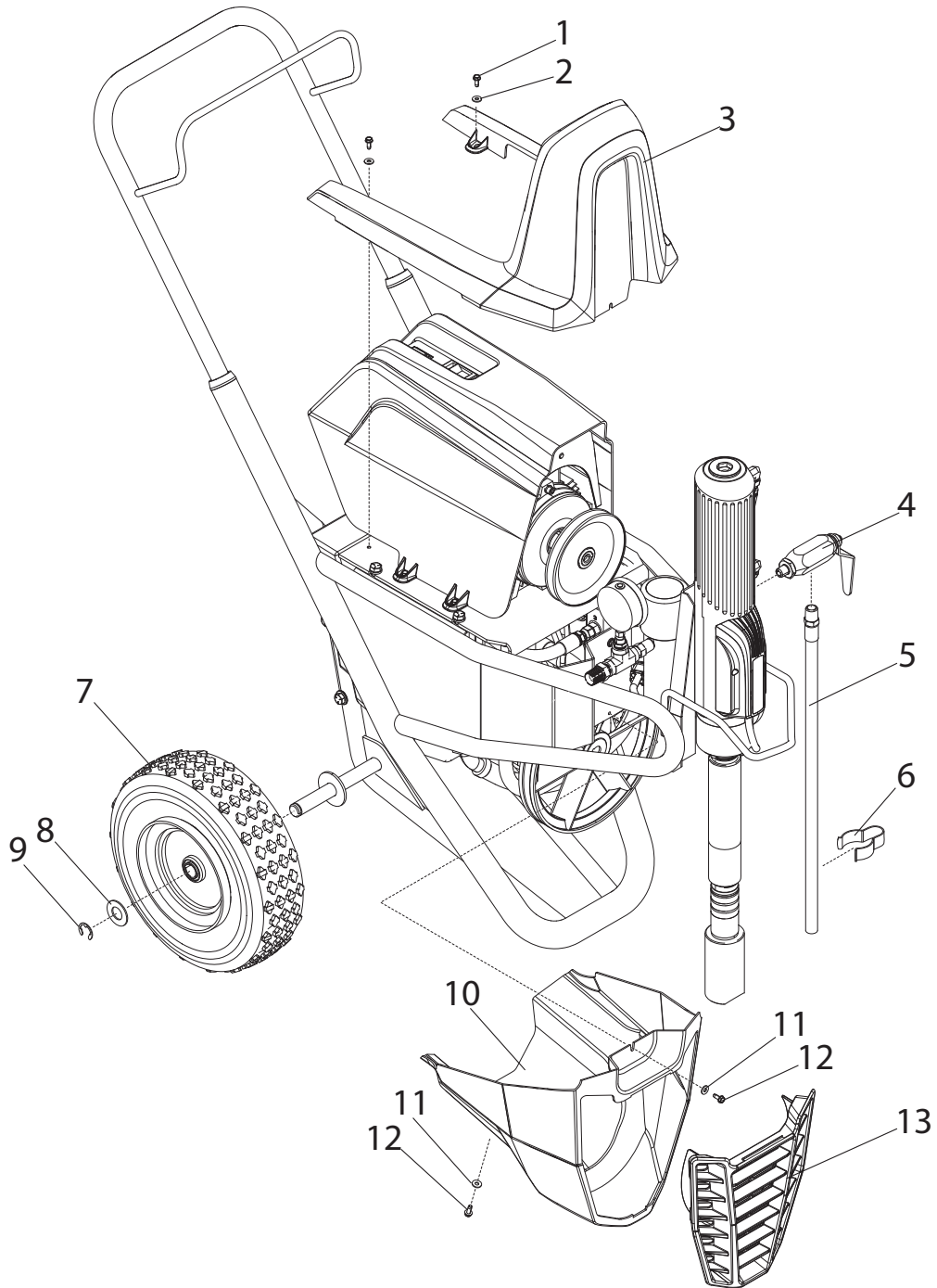
Vous trouverez d'autres accessoires pour un travail optimal sur  
<https://go.wagner-group.com/accessories-professional>

ILLUSTRATION DES PIÈCES DE RECHANGE

EN MAIN ASSEMBLY

DE HAUPTBAUGRUPPE

FR ENSEMBLE PRINCIPAL



# HeavyCoat

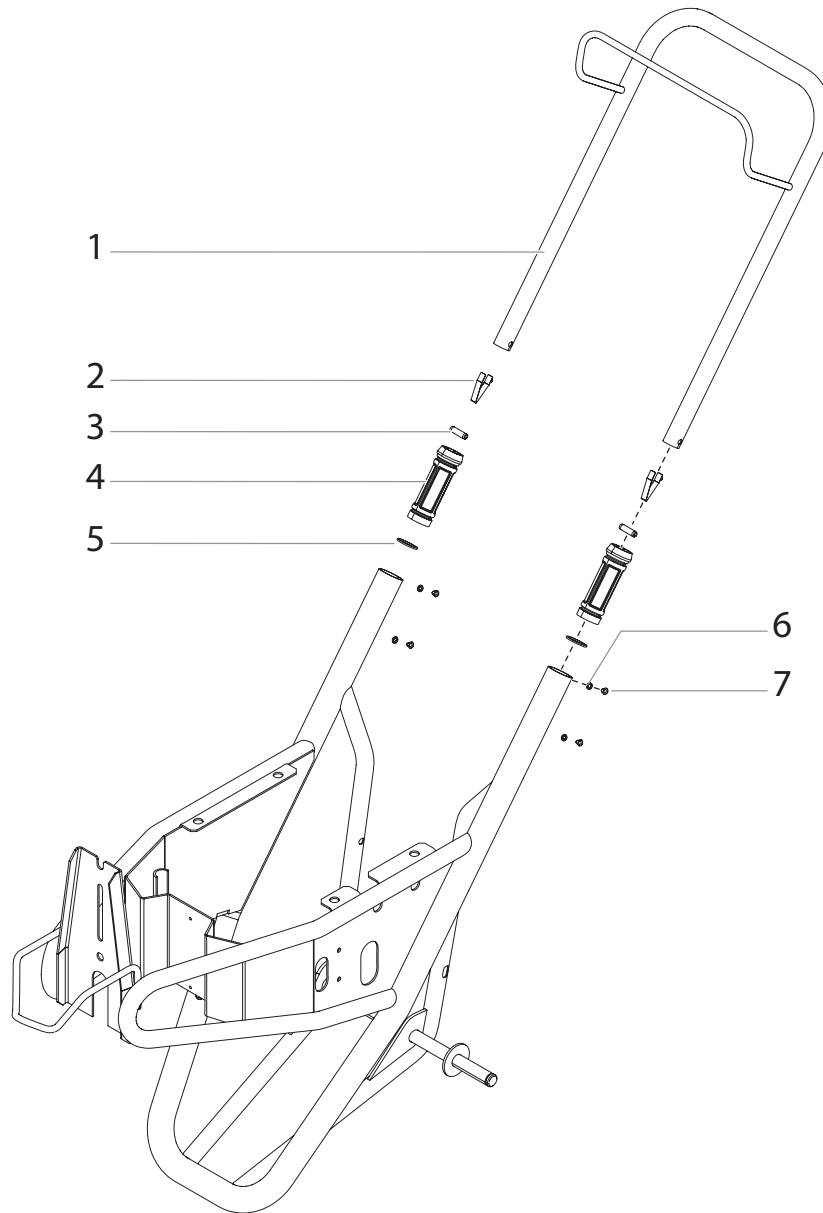
#	730 (Gas)	750 (110V)	750 (230V)	750 SSP (230V)	750 (Gas)	770 (Gas)	Description	Benennung	Description
1	449-1006	449-1006	449-1006	449-1006	449-1006	449-1006	Screw (2)	Schraube (2)	Vis (2)
2	9822612	9822612	9822612	9822612	9822612	9822612	Washer (2)	Scheibe (2)	Rondelle (2)
3	-----	0537468A	0537468A	0537468A	-----	-----	Top shroud	Obere Abdeckung	Carénage supérieur
4	0555645	0555645	0555645	0555645	0555645	0555645	Filter assembly	Filterbaugruppe	Ensemble de filtre
5	0507785	0507785	0507785	0507785	0507785	0507785	Bypass tube	Bypassrohr	Conduit en dérivation
6	0537537	0537537	0537537	0537537	0537537	0537537	Bypass tube clip	Bypassrohrstutzen	Agrafe du conduit en dérivation
7	0509390	0509390	0509390	0509390	0509390	0509390	Wheel (2)	Rad (2)	Roue (2)
8	0295687	0295687	0295687	0295687	0295687	0295687	Washer (4)	Scheibe (4)	Rondelle (4)
9	0528088	0528088	0528088	0528088	0528088	0528088	Retaining ring (2)	Sicherungsring (2)	Bague de retenue (2)
10	0537469A	0537469A	0537469A	0537469A	0537469A	0537469A	Bottom shroud	Untere Abdeckung	Carénage inférieur
11	9822612	9822612	9822612	9822612	9822612	9822612	Washer (2)	Scheibe (2)	Rondelle (2)
12	449-1006	449-1006	449-1006	449-1006	449-1006	449-1006	Screw (2)	Schraube (2)	Vis (2)
13	0537411	0537411	0537411	0537411	0537411	0537411	Air intake grate	Lufteinlassgitter	Grille de la prise d'air

ILLUSTRATION DES PIÈCES DE RECHANGE

EN CART ASSEMBLY

DE WAGENBAUGRUPPE

FR ENSEMBLE DE CHARIOT

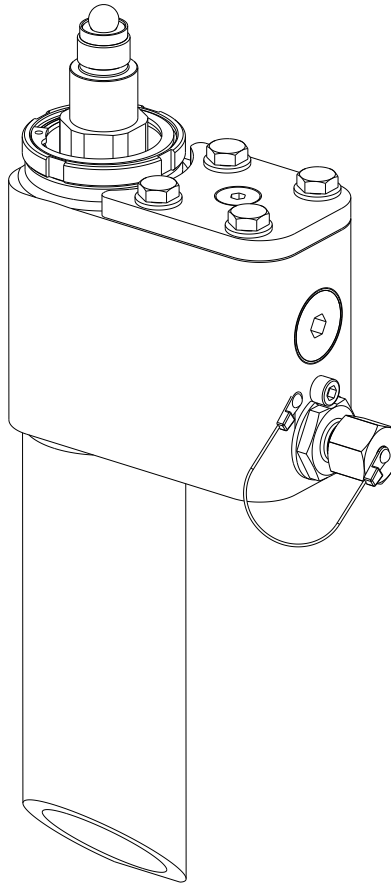


Pos.	730 (Gas)	750 (110V) (230V)	750 SSP (230V)	770 (Gas)	770 (Gas)	Description	Benennung	Description
1	0537201	0537201	0537201	0537201	0537201	Handle	Deichsel	Poignée
2	9841504	9841504	9841504	9841504	9841504	Snap button (2)	Haltefeder (2)	Ressort (2)
3	0295610	0295610	0295610	0295610	0295610	Roll pin (2)	Spannhülse (2)	Goupille de serrage (2)
4	0295607	0295607	0295607	0295607	0295607	Sleeve (2)	Buchse (2)	Douille (2)
5	0295609	0295609	0295609	0295609	0295609	Washer (2)	Scheibe (2)	Rondelle (2)
6	0509386	0509386	0509386	0509386	0509386	Washer (4)	Scheibe (4)	Rondelle (2)
7	0295608	0295608	0295608	0295608	0295608	Screw (4)	Schraube (4)	Vis (4)



**EN SHOVEL VALVE**  
**FR PISTON À AUGET**

**DE SCHÖPFKOLBEN**



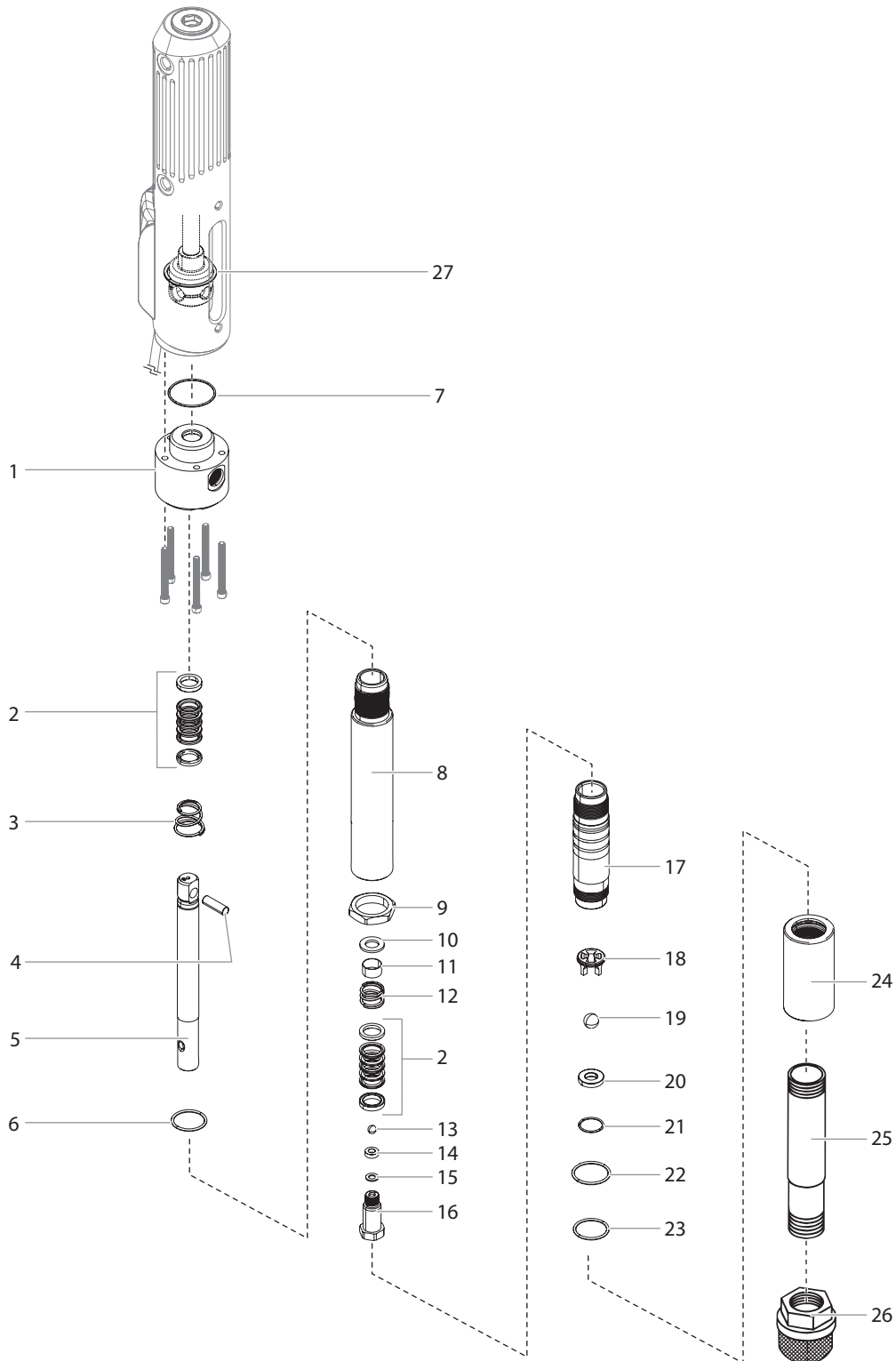
<b>Pos.</b>	<b>750 SSP (230V)</b>	Description	Benennung	Description
	0349 150	Shovel valve assembly	Schöpfkolben kpl.	Piston à auget complète

ILLUSTRATION DES PIÈCES DE RECHANGE

EN FLUID SECTION  
FR SECTION DES LIQUIDES

DE FLÜSSIGKEITSBEREICH

HC 730 / 750 (110V) - P/N 0537255



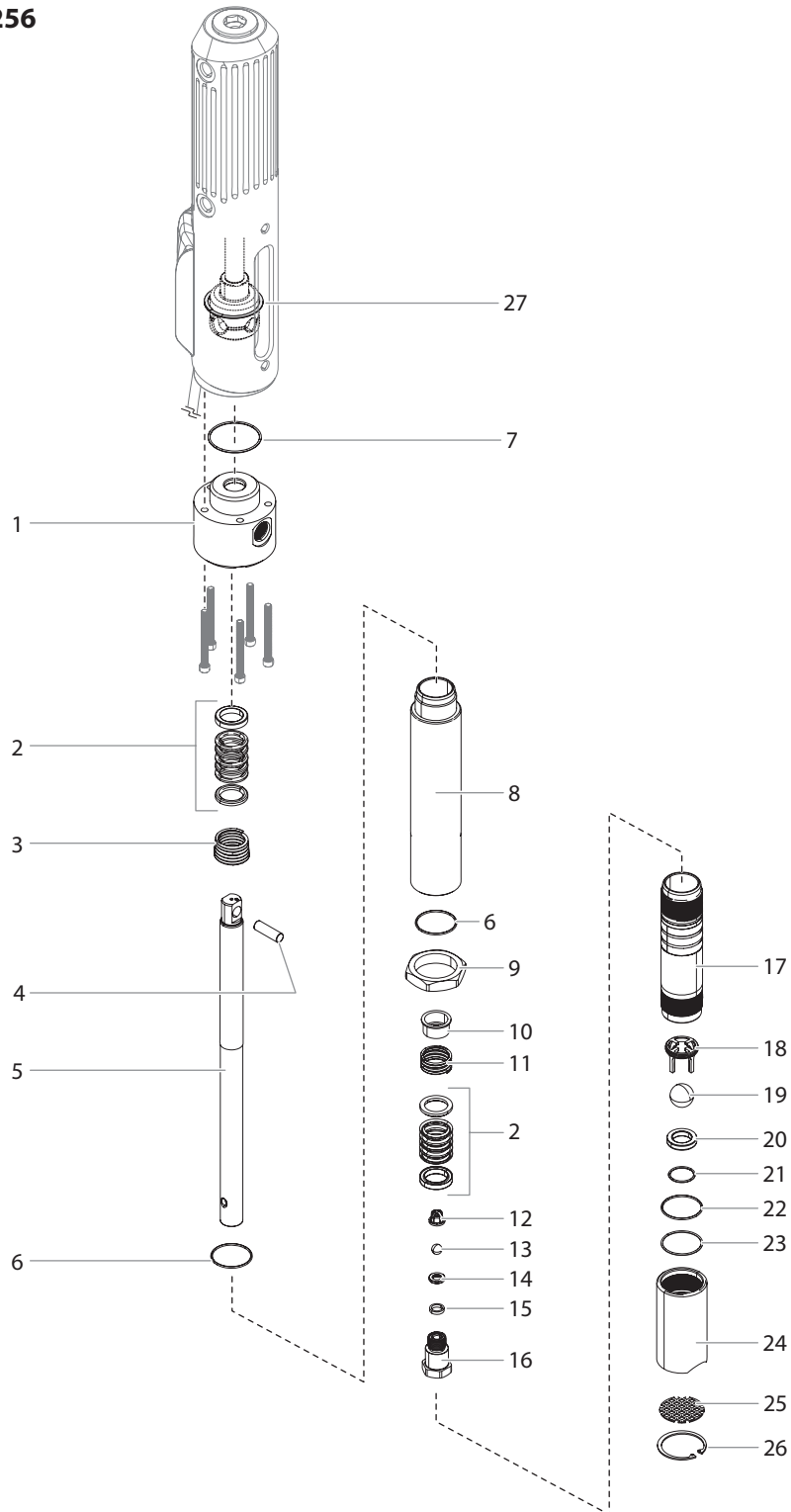
Pos.	730 (Gas)	750 (110V)	Description	Benennung	Description
1	-----	-----	Fluid section housing	Gehäuse Flüssigkeitsabschnitt	Logement de la section des liquides
2	-----	-----	Packing set, leather/UHMWPE/steel (2)	Dichtungssatz, Leder/ Ultrahochmolekular-gewichtiges Polyethylen/Stahl (2)	Garniture, cuir/UHMWPE/acier (2)
3	-----	-----	Upper packing spring	Konusfeder	Ressort de garniture supérieure
4	-----	-----	Connecting pin	Verbindungsstift	Goupille de liaison
5	-----	-----	Piston assembly	Kolben	Piston
6	-----	-----	O-ring, PTFE	O-ring, PTFE	Joint torique, PTFE
7	-----	-----	O-ring	O-ring	Joint torique
8	-----	-----	Cylinder spacer	Zylinderabstands-halter	Entretoise du cylindre
9	-----	-----	Lock ring	Seegerring	Bague de retenue
10	-----	-----	Spring retainer	Federhalter	Ressort conique
11	-----	-----	Sleeve	Abziehhülse	Manchon
12	-----	-----	Lower packing spring	Druckfeder	Ressort de garniture inférieure
13	-----	-----	Outlet valve ball	Kugel	Bille
14	-----	-----	Outlet valve seat	Auslassventilsitz	Siège du clapet de refoulement
15	-----	-----	Seal washer	Scheibe	Rondelle
16	-----	-----	Outlet valve housing	Auslassventilgehäuse	Corps du clapet de refoulement
17	-----	-----	Pump cylinder	Zylinder	Cylindre
18	-----	-----	Foot valve cage	Kugelführung	Guide de bille
19	-----	-----	Foot valve ball	Kugel	Bille
20	-----	-----	Foot valve seat	Einlassventilsitz	Siège
21	-----	-----	Seat o-ring	Sitz o-ring	Siège du joint torique
22	-----	-----	O-ring	O-ring	Joint torique
23	-----	-----	O-ring, PTFE	O-ring, PTFE	Joint torique, PTFE
24	-----	-----	Foot valve housing	Einlassventilgehäuse	Logement du clapet de pied
25	-----	-----	Siphon tube	Siphonrohr	Tube d'aspiration
26	5006536A	5006536A	Inlet screen	Eintrittsgitter	Écran d'entrée
27	-----	-----	Retaining ring	Spiralring	Bague spiralée
	0537924	0537924	Fluid section service kit, major (includes items 5, 17, and fluid section service kit, minor)	Flüssigkeitsbereich Wartungssatz, gross (beinhaltet Teile 5, 17 und Flüssigkeitsbereich Wartungssatz, klein)	Kit de maintenance de la section des liquides, principal (inclut les éléments 5, 17, et le kit de maintenance de la section des fluides, mineur)
	0537923	0537923	Fluid section service kit, minor (includes items 2, 6, 11, 13, 15, 19, 21-23, 27, and Loctite P/N 426-051)	Flüssigkeitsbereich Wartungssatz, klein (beinhaltet Teile 2, 6, 11, 13, 15, 19, 21-23, 27, und Loctite P/N 426-051)	Kit de maintenance de la section des liquides, mineur (inclut les éléments 2, 6, 11, 13, 15, 19, 21-23, 27, et Loctite n° de pièce 426-051)
	0537254A	0537254A	Foot valve assembly (includes items 18-24)	Einlassventilbaugruppe (beinhaltet Teile 18-24)	Clapet de pied (inclut les éléments 18-24)
	0555650	0555650	Outlet valve assembly (includes items 13-16)	Ablassventilbaugruppe (beinhaltet Teile 13-16)	Soupape de sortie (inclut les éléments 13-16)

ILLUSTRATION DES PIÈCES DE RECHANGE

EN FLUID SECTION  
FR SECTION DES LIQUIDES

DE FLÜSSIGKEITSBEREICH

HC 750 / 770 - P/N 0537256



Pos.	750 (230V)	750 (Gas)	770 (Gas)	Description	Benennung	Description
1	-----	-----	-----	Fluid section housing	Gehäuse Flüssigkeitsabschnitt	Logement de la section des liquides
2	-----	-----	-----	Packing set, leather/ UHMWPE/steel (2)	Dichtungssatz, Leder/ Ultrahochmolekular- gewichtiges Polyethylen/ Stahl (2)	Garniture, cuir/UHMWPE/ acier (2)
3	-----	-----	-----	Upper packing spring	Konusfeder	Ressort de garniture supérieure
4	-----	-----	-----	Connecting pin	Verbindungsstift	Goupille de liaison
5	-----	-----	-----	Piston	Kolben	Piston
6	-----	-----	-----	O-ring, PTFE (2)	O-ring, PTFE (2)	Joint torique, PTFE (2)
7	-----	-----	-----	O-ring	O-ring	Joint torique
8	-----	-----	-----	Cylinder spacer	Zylinderabstands-halter	Entretoise du cylindre
9	-----	-----	-----	Lock ring	Seegerring	Bague de retenue
10	-----	-----	-----	Spring retainer	Federhalter	Ressort conique
11	-----	-----	-----	Lower packing spring	Druckfeder	Ressort de garniture inférieure
12	-----	-----	-----	Outlet valve cage	Ablassventilkorb	Cage de soupape de sortie
13	-----	-----	-----	Outlet valve ball	Kugel	Bille
14	-----	-----	-----	Outlet valve seat	Auslassventilsitz	Siège du clapet de refoulement
15	-----	-----	-----	Seal washer	Scheibe	Rondelle
16	-----	-----	-----	Outlet valve housing	Auslassventilgehäuse	Corps du clapet de refoulement
17	-----	-----	-----	Pump cylinder	Zylinder	Cylindre
18	-----	-----	-----	Foot valve cage	Kugelführung	Guide de bille
19	-----	-----	-----	Foot valve ball	Kugel	Bille
20	-----	-----	-----	Foot valve seat	Einlassventilsitz	Siège
21	-----	-----	-----	Seat o-ring	Sitz o-ring	Siège du joint torique
22	-----	-----	-----	O-ring	O-ring	Joint torique
23	-----	-----	-----	O-ring, PTFE	O-ring, PTFE	Joint torique, PTFE
24	-----	-----	-----	Foot valve housing	Einlassventilgehäuse	Logement du clapet de pied
25	0555217	0555217	0555217	Inlet screen	Eintrittsgitter	Écran d'entrée
26	0349391	0349391	0349391	Snap ring	Sicherungsring	Circlip
27	-----	-----	-----	Retaining ring	Spiralring	Bague spiralisée
	0537922	0537922	0537922	Fluid section service kit, major (includes items 5, 17, and fluid section service kit, minor P/N 0537921)	Flüssigkeitsbereich Wartungssatz, gross (beinhaltet Teile 5, 17 und Flüssigkeitsbereich Wartungssatz, klein P/N 0537921)	Kit de maintenance de la section des liquides, principal (inclut les éléments 5, 17, et le kit de maintenance de la section des fluides, mineur, n° de pièce 0537921)
	0537921	0537921	0537921	Fluid section service kit, minor (includes items 2, 6, 13, 15, 19, 21-23, 27, and Loctite P/N 426-051)	Flüssigkeitsbereich Wartungssatz, klein (beinhaltet Teile 2, 6, 13, 15, 19, 21-23, 27 und Loctite P/N 426-051)	Kit de maintenance de la section des liquides, mineur (inclut les éléments 2, 6, 13, 15, 19, 21-23, 27, et Loctite n° de pièce 426-051)
	451-133A	451-133A	451-133A	Foot valve assembly (includes items 18-26)	Einlassventilbaugruppe (beinhaltet Teile 18-26)	Clapet de pied (inclut les éléments 18-26)
	236-050	236-050	236-050	Outlet valve assembly (includes items 12-16)	Ablassventilbaugruppe (beinhaltet Teile 12-16)	Soupape de sortie (inclut les éléments 12-16)

## ILLUSTRATION DES PIÈCES DE RECHANGE

EN HIGH PRESSURE FILTER

FR FILTRE À HAUTE PRESSION

DE HOCHDRUCKFILTER

## FILTER ASSEMBLY SPECIFICATIONS

**Maximum Working Pressure:** 5000 psi (34.5 MPa)**Filter Area:** 18 ln<sup>2</sup> (116 cm<sup>2</sup>)**Outlet Ports:**

- (1) 1/4" NPT(F) for bleed valve
- (1) 3/8" NPT(F) with 1/4 NPSM(M) hose connection
- (2) 3/8" NPT(F) plugged for additional gun hookup.

**Wetted Parts:**

Carbon steel with electroless nickel and cadmium plating, stainless steel, tungsten carbide, PTFE

## SPEZIFIKATIONEN

**Maximaler Arbeitsdruck:** 34,5 MPa (5000 psi)**Filterbereich:** 116 cm<sup>2</sup> (18 ln<sup>2</sup>)**Ablässöffnungen:**

- (1) 1/4" NPT(F) für das Ablassventil
- (1) 3/8" NPT(F) mit 1/4 NPSM(M) Schlauchverbindung
- (2) 3/8" NPT(F) verschlossen, für zusätzliche Spritzpistolenanschluss.

**Nasteile:**

Stromloser vernickelter unlegierter Kohlenstoffstahl, Edelstahl, Wolframcarbid, PTFE

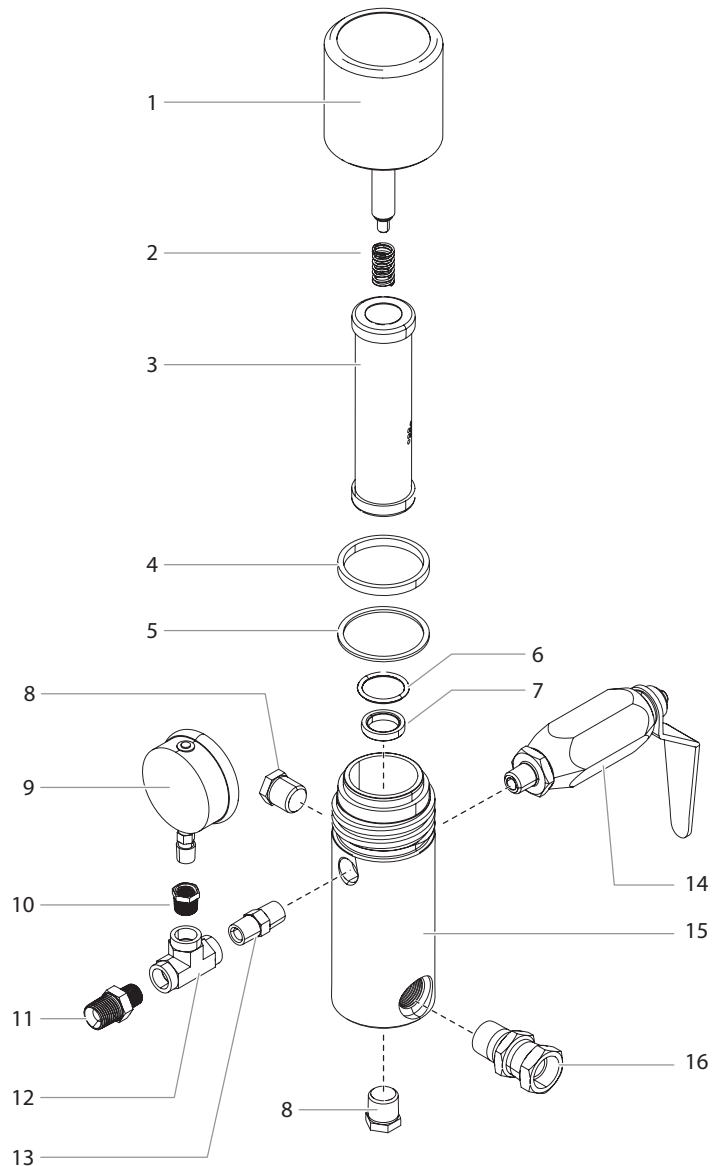
## CARACTÉRISTIQUES

**Pression de travail maximale :** 34,5 MPa (5000 psi)**Surface du filtre :** 116 cm<sup>2</sup> (18 ln<sup>2</sup>)**Orifices de sortie :**

- (1) 1/4" NPT(F) pour la soupape de décharge
- (1) 3/8" NPT(F) avec raccord de tuyau 1/4 NPSM(M)
- (2) 3/8" NPT(F) branché pour la connexion d'un pistolet supplémentaire.

**Pièces mouillées :**

Acier au carbone avec revêtement de nickel et cadmium autocatalytiques, acier inoxydable, carbure de tungstène, PTFE.



Pos.	730 (Gas)	750 (110V) (230V)	750 SSP (230V)	770 (Gas)	770 (Gas)	Description	Benennung	Description
1	0290443A	0290443A	0290443A	0290443A	0290443A	Filter cap assembly	Gehäusedeckel	Couvercle du corps
2	0349430	0349430	0349430	0349430	0349430	Spring	Druckfeder	Ressort
3	0349707*	0349707	0349707*	0349707*	0349707*	Filter element, 0 M, with ball	Filterpatrone, 0 Maschen, mit Kugel	Cartouche de filtre 0 mailles, avec bille
	0349704*	0349704*	0349704	0349704	0349704*	Filter element, 50 M, with ball	Filterpatrone, 50 Maschen, mit Kugel	Cartouche de filtre 50 mailles, avec bille
	-----	0349431*	0349431*	0349431*	0349431	Filter element, 5 M, with ball	Filterpatrone, 5 Maschen, mit Kugel	Cartouche de filtre 5 mailles, avec bille
	-----	0349705*	0349705*	0349705*	0349705*	Filter element, 100 M, with ball	Filterpatrone, 100 Maschen, mit Kugel	Cartouche de filtre 100 mailles, avec bille
4	0349432	0349432	0349432	0349432	0349432	Gasket, PTFE (thick)	Dichtung dick	Joint épais
5	0349433	0349433	0349433	0349433	0349433	Gasket, PTFE (thin)	Dichtung dünn	Joint mince
6	0349434	0349434	0349434	0349434	0349434	O-ring, PTFE	O-Ring	Joint torique, PTFE
7	0349435	0349435	0349435	0349435	0349435	Seat, tungsten carbide	Ventilsitz	Siège de soupape
8	0349348	0349348	0349348	0349348	0349348	Pipe plug (2)	Verschlusschraube (2)	Vis bouchon (2)
9	0508626	0508626	0508626	0508626	0508626	Manometer	Manometer	Manomètre
10	817-001	817-001	817-001	817-001	817-001	Bushing	Anschluss	Raccord
11	812-003	812-003	812-003	812-003	812-003	Hex fitting, 1/4"	Sechskantschraube, 1/4"	Raccord hexagonal, 0,6 cm
	-----	814-004	814-004	814-004	814-004	Hex fitting, 3/8"	Sechskantschraube, 3/8"	Raccord hexagonal, 0,9 cm
	814-005	814-005	814-005	814-005	814-005	Hex fitting, 1/2"	Sechskantschraube, 1/2"	Raccord hexagonal, 1,27 cm
12	817-002	817-002	817-002	817-002	817-002	Fitting, T	Anschluss, T	Raccord, T
13	814-004	814-004	814-004	814-004	814-004	Adapter	Adapter	Adaptateur
14	0555645	0555645	0555645	0555645	0555645	Bleed valve	Ablassventilbaugruppe	Assemblage de la soupape de décharge
15	0537454	0537454	0537454	0537454	0537454	Filter body	Gehäuse	Corps
16	0537455	0537455	0537455	0537455	0537455	Fitting	Anschluss	Raccord
	0349700	0349700	0349700	0349700	0349700	Filter service kit (includes items 2 and 4-6)	Filterwartungssatz (beinhaltet Teile 2 und 4-6)	Kit d'entretien du filtre (inclut les éléments 2 et 4-6)

\* Optional / Optional / Facultatif

- A** J. Wagner Ges.m.b.H.  
Ottogasse 2/20  
2333 Leopoldsdorf  
Österreich  
Tel. +43/ 2235 / 44 158  
Telefax +43/ 2235 / 44 163  
office@wagner-group.at
- B** WSB Finishing Equipment  
Veilinglaan 56-58  
1861 Meise-Wolvertem  
Belgium  
Tel. +32/2/269 46 75  
Telefax +32/2/269 78 45  
info@wagner-wsb.nl
- CH** Wagner International AG  
Industriestrasse 22  
9450 Altstätten  
Schweiz  
Tel. +41/71 / 7 57 22 11  
Telefax +41/71 / 7 57 22 22  
wagner@wagner-group.ch
- D** J. Wagner GmbH  
Otto-Lilienthal-Straße 18  
D-88677 Markdorf  
Postfach 11 20  
D-88669 Markdorf  
Deutschland  
Tel.: +49 / 75 44 / 505 -1664  
Fax: +49 / 75 44 / 505 -1155  
wagner@wagner-group.com  
www.wagner-group.com
- AUS** Wagner Spraytech Australia Pty.  
Ltd.  
8 – 10 Dansu Court  
Hallam, Victoria, 3803  
Australia  
Customer Service 1800 924 637  
info@wagneraustralia.com.au
- DK** DVA A/S  
Marielundvej 48 C  
2730 Herlev  
Denmark  
Tel. +45 70 234 239  
info@dva.dk  
www.dva.dk
- E** Makimport Herramientas, S.L.  
C/ Méjico nº 6  
Pol. El Descubrimiento  
28806 Alcalá de Henares (Madrid)  
Tel. +34/902 199 021/  
+34/91 879 72 00  
Telefax +34/91 883 19 59  
ventas@grupo-k.es  
info@grupo-k.es
- F** J.Wagner France Sarl  
5 rue A.Bouffard Roupé  
ZAC de Champfeuillet  
Parc de l'Oppidum, Bât D  
F-38500 Voiron - France  
Tel. +33 (0)4 58 09 04 12  
servicepf@wagner-group.com
- GB** UK IMPORTER  
Wagner Spraytech (UK) Limited  
Innovation Centre  
Silverstone Park, Silverstone  
Northants NN12 8GX  
Great Britain  
Tel. 01327 368410  
enquiries@wagnerspraytech.co.uk
- RU** Импортёр:  
ООО «ВинТех рус»  
143960 МО, г. Реутов, улица  
Железнодорожная, д. 11, кв./оф. V  
Телефон: +7 (499) 705-11-31  
Почта: hello@wagner.ru  
Сайт: www.wagner.ru
- I** Wagner S.p.A.  
23868 Valmadrera (Lc)  
Via Santa Vecchia, 109  
Italia  
Tel./Fax 0341 210100 (centralino)  
wagner\_it\_va@wagner-group.com
- NL** WSB Finishing Equipment BV  
De Heldinnenlaan 200,  
3543 MB Utrecht  
Netherlands  
Tel. +31/ 30/241 41 55  
Telefax +31/ 30/241 17 87  
info@wagner-wsb.nl
- S** Orkla House Care AB,  
Tallvägen 6  
564 23 Bankeryd,  
Sweden  
Tel. +46 36 376300  
Info@orkla.se

Изготовитель:  
Дж. Вагнер Гмбх,  
Отто-Лилентал, 18  
Д-88677 Маркдорф, Германия  
www.wagner-group.com

